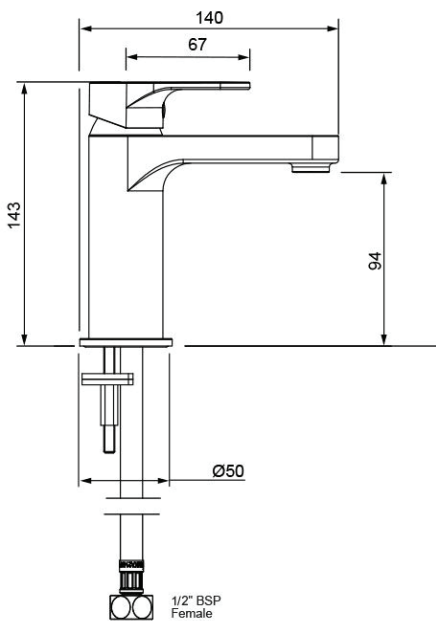


GLIDE BASIN MIXER



CONSTRUCTION: Brass body

CARTRIDGE TYPE: 25 mm ceramic

SUPPLY: Suitable for **mains pressure** only

INLET CONNECTIONS: 1/2" BSP Female

WORKING PRESSURE: 150 - 1000kPa

DIMENSIONS FOR FITTING: 35 - 38 mm diameter hole

OPERATING TEMPERATURE: 5 °C - 80 °C

- Solid brass construction for longevity
- Twin stud mounting for secure basin installation
- Stainless steel flexible inlet hoses
- Fixed cast spout fitted with aerator
- 5 star WELS rating on 5l/m

GLBCP

Chrome

GLBBK

Matte Black

<https://www.methven.com/nz/glide-basin-mixer>