

CRYSTAL

CRMR30

Crystal Freestanding Small 7 1/4" dia. Magnifying Mirror



SHOWN IN CRYSTAL FREESTANDING SMALL 7 1/4" DIA. MAGNIFYING MIRROR| CRMR30

TECHNICAL DETAILS

Depth / Width: 5 1/16"
Height: 10 7/8"
Length: 8 5/8"
Primary Material: Brass
Suggested Application: Bath

INSPIRATION

Comprehensive and universal, the classic design of Crystal is appropriate to partner with any line of fittings and fixtures from modern to traditional. The weight and quality of these handcrafted pieces is unsurpassed.

PRODUCT FEATURES

7 1/4" Diameter
Double sided - 3X & 1X Magnification
Made from Brass
Chrome, Matte Nickel & Nickel Finishes

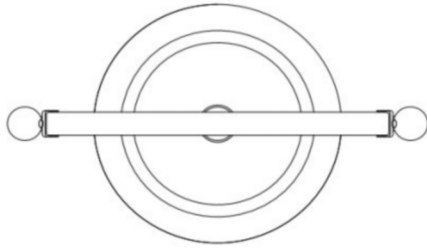
PRODUCT (NOTES)

Double sided mirror. 3x magnification on one side; 1x magnification on the other

CRYSTAL

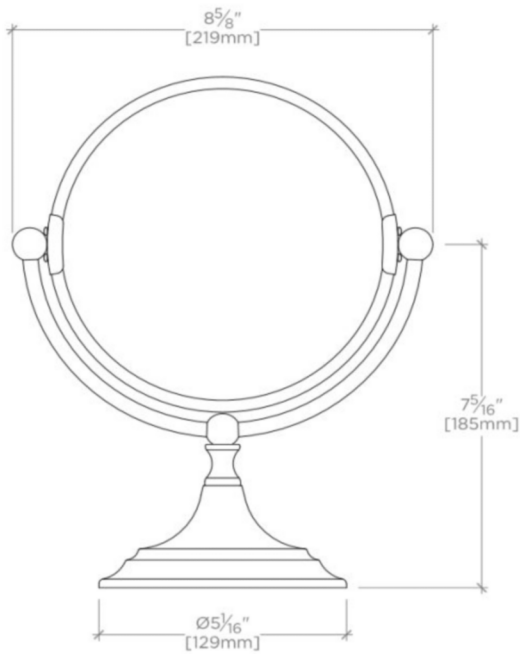
CRMR30

Crystal Freestanding Small 7 1/4" dia. Magnifying Mirror



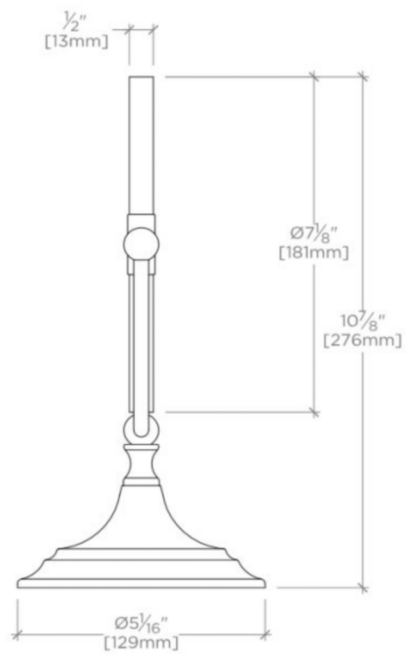
TOP VIEW

SCALE: 3"=1'-0"



FRONT VIEW

SCALE: 3"=1'-0"



SIDE VIEW

SCALE: 3"=1'-0"