

26 413 360



- slide bar
- Pipe diameter 18 mm
- rosette Ø 60 mm
- gauge 850 mm
- metal shower hose 1750mm with integrated anti-twist protection
- shower hose connector 1/2"
- WRAS 2009048

This article does not include a hand shower!

	Platinum	26 413 360-08
	Chrome	26 413 360-00
	Brushed Platinum	26 413 360-06
	Durabrace (23kt Gold)	26 413 360-09
	Brushed Durabrace (23kt Gold)	26 413 360-28
	Brushed Dark Platinum	26 413 360-99

Recommended miscellaneous



Concealed wall elbow - 35 085 970 90
 ●max. recess depth 163 mm
 ●min. recess depth 90 mm

Recommended miscellaneous



MADISON Wall elbow - Platinum 28 450 410-08

Required miscellaneous



MADISON Hand shower FlowReduce - Platinum 28 002 978-08 0010
 ●spray head Ø 95mm
 ●Hand shower see page {PAGE}
 ●Three settings: COMPACT RAIN, COMPACT SOFT FLOW, COMPACT AQUAPRESSURE FLOW, max. flow rate l/min (at 3 bar)

Required miscellaneous



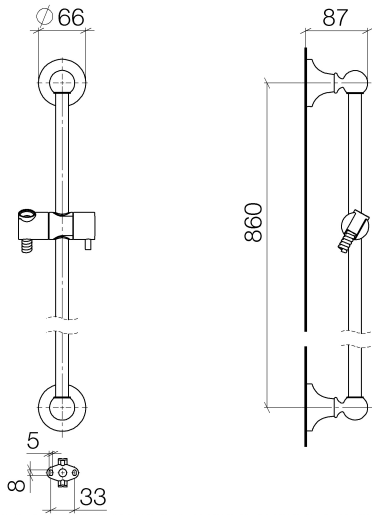
MADISON Hand shower - Platinum 28 002 978-08
 ●spray head Ø 95mm
 ●Hand shower see page {PAGE}
 ●Three settings: COMPACT RAIN, COMPACT SOFT FLOW, COMPACT AQUAPRESSURE FLOW, max. flow rate l/min (at 3 bar)

Required miscellaneous



MADISON Metal hand shower with porcelain insert (white) FlowReduce - Platinum 28 002 970-08 0010

26 413 360



Codes & Standards

ASME A112.18.1

cUPC

Scottish Water
Byelaws

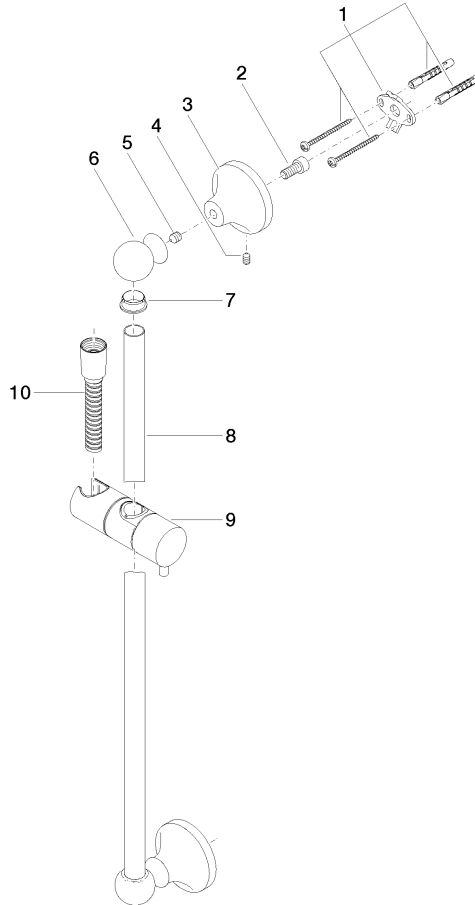
UK Water Supply
Regulations

Certificates

IAPMO_4976

WRAS_2009

26 413 360





MADISON Shower set without hand shower - Platinum

MADISON

26 413 360

Spare parts list

No.	Item Number	Name	Quantity used	Delivery time
	90 17 20 708 00 90	fixing set	17	2