

# DENGLONG P GR IN

by Neri&Hu, 2016

Floor lamp. Anthracite lacquered aluminium structure and steel mesh. Top disc in gold lacquered aluminium. Fiberglass diffuser. Architectural concrete base, black or grey. Led module included.

Type: Floor lamp

Environment: Indoor

Structure: Aluminium and steel mesh

Diffuser: Fiberglass

Voltage: 230 V


Supply: Electrical cord with plug

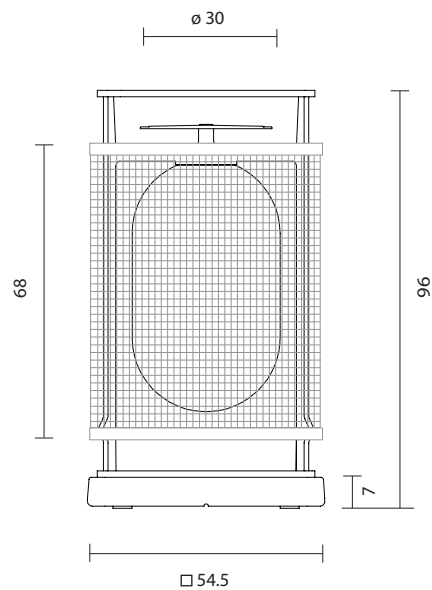
Cable length: 200 cm

Light source: Module LED  $\varnothing 70$  16.6W 2700K 1350Lm

## DENGLONG P GR IN

314000640974 anthracite, grey base  
314000640975 anthracite, black base

 48 kg  
52 kg



CE  IP-20