

Инструкция по эксплуатации

Бензиновая воздуходувка Hitachi RB 24 E

Цены на товар на сайте:

http://hitachi.vseinstrumenti.ru/sadovaya_tehnika/vozduhoduvmki/benzinovye/rb_24_e/

Отзывы и обсуждения товара на сайте:

http://hitachi.vseinstrumenti.ru/sadovaya_tehnika/vozduhoduvmki/benzinovye/rb_24_e/#tab-Responses

HITACHI

Blower
Blasgeräte
Φυσητήρας
Dmuchawa
Benzinmotoros lombfűvógép

Fukar
Moto suflanta
Üfleme cihazı
Bencinski puhalnik zraka
Воздуходув

RB 24EAP/RB 24EA



Read the manual carefully before operating this machine.

Lesen Sie vor der Verwendung diese Anleitung sorgfältig durch.

Διαβάστε προσεκτικά το εγχειρίδιο πριν χειριστείτε αυτό το μηχάνημα.

Przed uruchomieniem maszyny należy dokładnie przeczytać podręcznik.

Mielőtt a gépet használatba venné, gondosan olvassa el a használati utasítást.

Před použitím přístroje si návod pozorně přečtěte.

Makineyi çalıştırmadan önce kullanım kılavuzunu dikkatlice okuyun.

Citiți cu atenție prezentele instrucțiuni înainte de utilizarea mașinii.

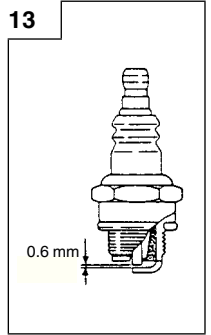
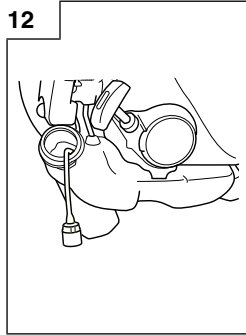
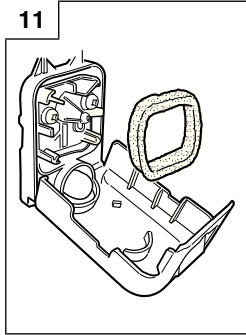
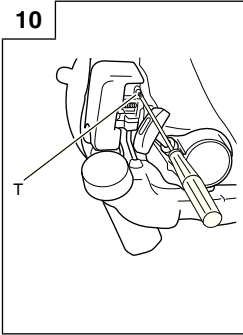
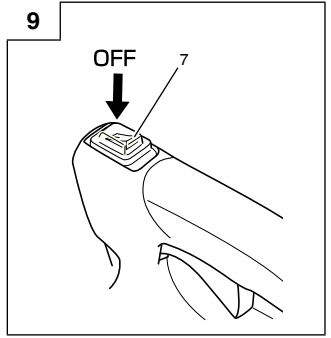
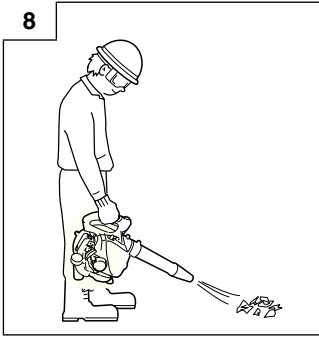
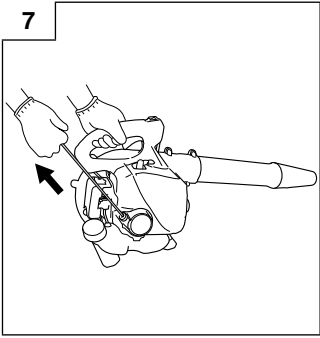
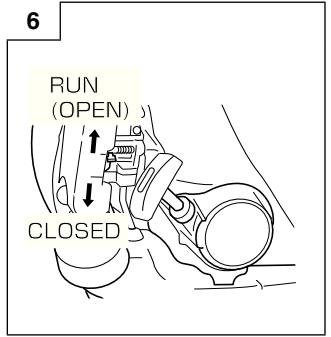
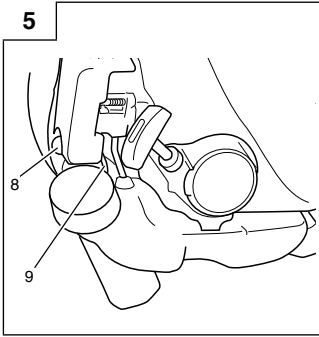
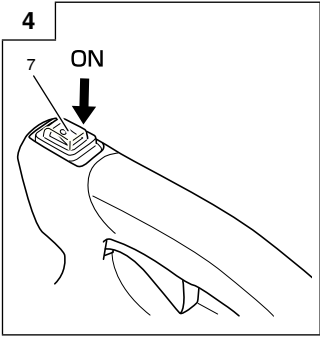
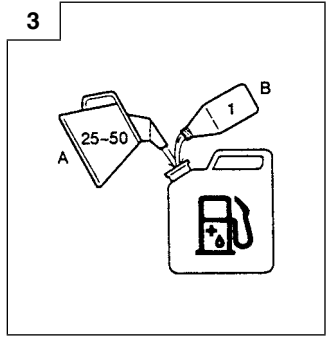
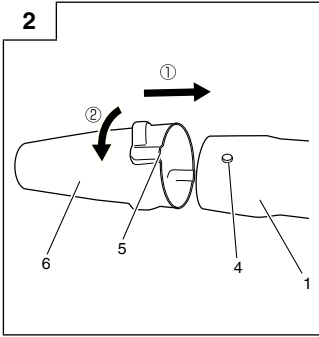
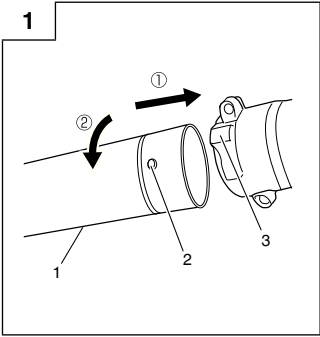
Pred uporabo naprave pozorno preberite navodila.

Перед эксплуатацией этой машины внимательно прочтите руководство.

Handling instructions
Bedienungsanleitung
Οδηγίες χειρισμού
Instrukcja obsługi
Kezelési utasítás
Návod k obsluze

Kullanım talimatları
Instrucțiuni de utilizare
Navodila za rokovanje
Инструкция по эксплуатации




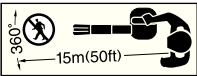



Hitachi Koki



(Original instructions)

MEANINGS OF SYMBOLS

NOTE: Some units do not carry them.

Symbols ⚠ WARNING The following show symbols used for the machine. Be sure that you understand their meaning before use.			
	It is important that you read, fully understand and observe the following safety precautions and warnings. Careless or improper use of the unit may cause serious or fatal injury.		WARNING ⚠ DANGER Hot surfaces; The muffler and surrounding cover may become extremely hot. Always keep clear of exhaust and muffler area, otherwise serious personal injury may occur.
	Read, understand and follow all warnings and instructions in this manual and on the unit.		Keep all children, bystanders and helpers 15 m away from the unit. If anyone approaches you, stop the engine immediately.
	Always wear eye, head and ear protectors when using this unit.		Use anti-slip and sturdy footwear.
	WARNING ⚠ DANGER Keep hands off from rotating fan.		

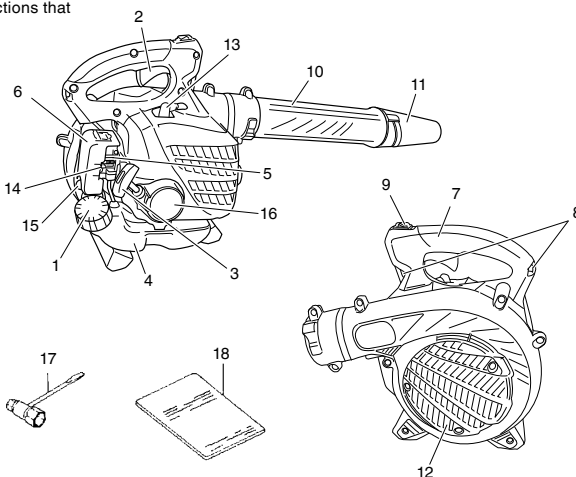
Contents

WHAT IS WHAT	3	ASSEMBLY PROCEDURES	5
WARNINGS AND SAFETY INSTRUCTIONS	4	OPERATING PROCEDURES	5
SPECIFICATIONS	5	MAINTENANCE	6

WHAT IS WHAT

Since this manual covers several models, there may be some difference between pictures and your unit. Use the instructions that apply to your unit.

1. Fuel cap
2. Throttle trigger
3. Starter handle
4. Fuel tank
5. Carburetor
6. Air cleaner
7. Handle
8. Suspension eyelet
9. Ignition switch
10. Straight pipe
11. Conic pipe
12. Guard net
13. Spark plug
14. Chock knob
15. Priming bulb
16. Recoil starter
17. Combi box spanner
18. Handling instructions



WARNINGS AND SAFETY INSTRUCTIONS

Operator safety

- A dust filter mask should be worn during operation.
- Always wear a safety face shield or goggles.
- Always wear heavy, long pants, boots and gloves. Do not wear loose clothing, jewelry, short pants, sandals or go barefoot. Secure hair so it is above shoulder length.
- Do not operate this tool when you are tired, ill or under the influence of alcohol, drugs or medication.
- Never let a child or inexperienced person operate the machine.
- Wear hearing protection. Pay attention to your surroundings. Be aware of any bystanders who may be signaling a problem. Remove safety equipment immediately upon shutting off engine.
- Wear head protection.
- Never start or run the engine inside a closed room or building. Breathing exhaust fumes can kill.
- Keep handles free of oil and fuel.
- Keep hands away from moving part or heated area.
- Do not grab or hold the unit by the blow pipe.
- When the unit is turned off make sure the engine has stopped before the unit is set down.
- When operation is prolonged, take a break from time to time so that you may avoid possible Hand-Arm Vibration Syndrome (HAVS) which is caused by vibration.

WARNING

- Antivibration systems do not guarantee that you will not sustain Hand-Arm Vibration Syndrome or carpal tunnel syndrome. Therefore, continual and regular users should monitor closely the condition of their hands and fingers. If any symptoms of the above appear, seek medical advice immediately.
- If you are using any medical electric/electronic devices such as a pacemaker, consult your physician as well as the device manufacturer prior to operating any power equipment.

Unit/machine safety

- Inspect the entire unit/machine before each use. Replace damaged parts. Check for fuel leaks and make sure all fasteners are in place and securely tightened.
- Replace parts that are cracked, chipped or damaged in any way before using the unit/machine.
- Make sure the safety guard is properly attached.
- Keep others away when making carburetor adjustments.
- Use only accessories as recommended for this unit/machine by the manufacturer.

WARNING

Never modify the unit/machine in any way. Do not use your unit/machine for any job except that for which it is intended.

Fuel safety

- Fuel contains highly flammable and it is possible to get the serious personal injury when inhaling or spilling on your body. Always pay attention when handling fuel. Always have good ventilation when handling fuel inside building.
- Mix and pour fuel outdoors and where there are no sparks or flames.
- Use a container approved for fuel.
- Do not smoke or allow smoking near fuel or the unit/machine or while using the unit/machine.
- Wipe up all fuel spills before starting engine.
- Move at least 3 m away from fueling site before starting engine.
- Stop engine before removing fuel cap.
- Empty the fuel tank before storing the unit/machine. It is recommended that the fuel be emptied after each use. If fuel is left in the tank, store so fuel will not leak.
- Store unit/machine and fuel in area where fuel vapors cannot reach sparks or open flames from water heaters, electric motors or switches, furnaces, etc.

WARNING

Fuel is easy to ignite or get explosion or inhale fumes, so that pay special attention when handling or filling fuel.

Blowing safety

- Operate unit/machine only at reasonable hours – not early in the morning or late at night when people might be disturbed. Comply with times listed in local ordinances. Usual recommendations are 9:00 a.m. to 5:00 p.m., Monday through Saturday.
- Never direct discharge of air toward bystanders nor allow anyone near the area of operation. Use care in directing discharge to avoid glass enclosures, automobiles, etc.
- Stay alert for uneven sidewalks, holes in terrain or other unstable condition when using the tool.
- Take all possible precautions when leaving the tool unattended such as stopping the engine.
- Never operate the tool without guards, blow pipes or other protective device in place. (If so equipped.)
- Keep others including children, animals, bystanders and helpers outside the 15 m hazard zone. Stop the engine immediately if you are approached.
- Always keep the engine on the right side of your body.
- Keep firm footing and balance. Do not over-reach.
- Keep all parts of your body away from the muffler.
- Always carry a first-aid kit when operating any power equipment.
- Never start or run the engine inside a closed room or building and/or near inflammable liquids. Breathing exhaust fumes can kill.

Maintenance safety

- Maintain the unit/machine according to recommended procedures.
- Disconnect the spark plug before performing maintenance except for carburetor adjustments.
- Keep others away when making carburetor adjustments.
- Use only genuine Hitachi replacement parts as recommended by the manufacturer.

CAUTION

Do not disassemble the recoil starter. You may get a possibility of personal injury with recoil spring.

Transport and storage

- Carry the unit/machine by hand with the engine stopped and the muffler away from your body.
- Allow the engine to cool, empty the fuel tank, and secure the unit/machine before storing or transporting in a vehicle.
- Empty the fuel tank before storing the unit/machine. It is recommended that the fuel be emptied after each use. If fuel is left in the tank, store so fuel will not leak.
- Store unit/machine out of the reach of children.
- Clean and maintain the unit carefully and store it in a dry place.
- Make sure engine switch is off when transporting or storing.

If situations occur which are not covered in this manual, take care and use common sense. Contact your Hitachi dealer if you need assistance. Pay special attention to statements preceded by the following words:

WARNING

Indicates a strong possibility of severe personal injury or loss of life, if instructions are not followed.

CAUTION

Indicates a possibility of personal injury or equipment damage, if instructions are not followed.

NOTE

Helpful information for correct function and use.

SPECIFICATIONS

MODEL	RB24EAP/RB24EA
Engine Size (ml)	23.9
Spark Plug	NGK BMR7A
Dry weight (kg)	3.9
Fuel tank capacity (l)	0.52
Sound pressure level LpA (dB (A)) by ISO22868	By ANSI 69* ² By CEN 87* ¹
Uncertainty (dB (A))	1.8* ¹
Sound power level Lw measured (dB (A)) by ISO22868	107* ¹
Sound power level LwA (dB (A)) by 2000/14/EC	109* ¹
Vibration level (m/s ²) by ISO22867	12
Uncertainty (m/s ²)	1.0

*1: Equivalent noise level/vibration level are calculated as the time-weighted energy total for noise/vibration levels under various working conditions with the following time distribution: 1/7 Idle, 6/7 racing.

*2: ANSI B175.2

* All data subject to change without notice.

ASSEMBLY PROCEDURES

Blow pipes to main body (Fig. 1)

Inspect the main body and accessories.

Connect straight pipe (1) securely. Align projection (2) in straight pipe with groove (3) on blower housing and slide the pipe into the blower housing.

Rotate the pipe clockwise to lock it into place.

Conic pipe to straight pipe (Fig. 2)

- Align groove (5) on the conic pipe (6) and projection (4) on straight pipe (1) and rotate the conic pipe in place.

OPERATING PROCEDURES

Fuel (Fig. 3)

⚠ WARNING

- The unit/machine is equipped with a two-stroke engine. Always run the engine on fuel, which is mixed with oil. Provide good ventilation, when fueling or handling fuel.
- Fuel contains highly flammable and it is possible to get the serious personal injury when inhaling or spilling on your body. Always pay attention when handling fuel. Always have good ventilation when handling fuel inside building.

Fuel

- Always use branded 89 octane unleaded gasoline.
- Use genuine two-cycle oil or use a mix between 25:1 to 50:1, please consult the oil bottle for the ratio or Hitachi dealer.

- If genuine oil is not available, use an anti-oxidant added quality oil expressly labeled for air-cooled 2-cycle engine use (JASO FC GRADE OIL or ISO EGC GRADE). Do not use BIA or TCW (2-stroke water-cooling type) mixed oil.
- Never use for four-stroke engine oil or waste oil.
- Always mix fuel and oil in a separate clean container.

Always start by filling half the amount of fuel, which is to be used. Then add the whole amount of oil. Mix (shake) the fuel mixture. Add the remaining amount of fuel.

Mix (shake) the fuel-mix thoroughly before filling the fuel tank.

Fueling

⚠ WARNING

- Always shut off the engine and let it cool for a few minutes before refueling.
- Slowly open the fuel tank, when filling up with fuel, so that possible over-pressure disappears.
- Tighten the fuel cap carefully, after fueling.
- Always move the unit at least 3 m from the fueling area before starting.
- Do not smoke and/or allow flames or sparks near fuel when handling or filling fuel.
- Always wash any spilled fuel from clothing immediately with soap.
- Be sure to check for any fuel leakage after refueling.

Before fueling, clean the tank cap area carefully, to ensure that no dirt falls into the tank. Make sure that the fuel is well mixed by shaking the container, before fueling.

Starting

CAUTION

Do not start if the pipe and guard net is obstructed.

1. Check the switch (7) to ON position. (Fig. 4)
* Push priming bulb (8) several times so that fuel flows through the bulb or return pipe (9). (Fig. 5)
2. Set choke lever to CLOSED position. (Fig. 6)
3. Pull recoil starter briskly, taking care to keep the handle in your grasp and not allowing it to snap back. (Fig. 7)
4. When you hear the engine want to start, return choke lever to RUN position (open). Then pull recoil starter briskly again.

⚠ WARNING

- Never start or run the engine inside a closed room or building and/or near the inflammable liquid. Breathing exhaust fumes can kill.
- Do not allow the rope to snap back in and always hold the unit firmly.

NOTE

If engine does not start, repeat procedures from 2 to 4.

5. After starting engine, allow the engine about 2–3 minutes to warm up before subjecting it to any load.

* If the engine stops and is hard to restart straightaway, allow it to cool before trying again.

Operating blower (Fig. 8)

- A low speed should be used to blow leaves and dry grass.
- A medium speed should be used to clean wet leaves and grass.
- A high speed should be used when moving gravel, dirt or other heavy materials.

⚠ WARNING

- Do not direct discharge of air toward people or pet.
- The unit should be operated in a well ventilated area.
- Never perform assembly or disassembly procedures with engine running or serious personal injury may result.
- Never touch muffler, spark plug, or other metallic parts while engine is in running or immediately after shutting off engine.

CAUTION

This blower has been designed and adjusted to be used with all blowing pipes attached. It must never be operated without the straight pipe, and conic pipe.

Stopping (Fig. 9)

Decrease engine speed and run at an idle for a few minutes, then turn off ignition switch.

MAINTENANCE

MAINTENANCE, REPLACEMENT OR REPAIR OF THE EMISSION CONTROL DEVICES AND SYSTEMS MAY BE PERFORMED BY ANY NON-ROAD ENGINE REPAIR ESTABLISHMENT OR INDIVIDUAL.

Carburetor adjustment (Fig. 10)

In the carburetor, fuel is mixed with air. When the engine is test run at the factory, the carburetor is basically adjusted. A further adjustment may be required, according to climate and altitude. The carburetor has one adjustment possibility:

T = Idle speed adjustment screw.

Idle speed adjustment (T)

Check that the air filter is clean. If adjustment is required, turn IDLE speed Adjustment Screw (T) close (clockwise) to increase engine speed, open (counterclockwise) to decrease engine speed. Standard Idle rpm is 2800-3200rpm.

RECOMMENDATION

CARBURETOR ADJUSTMENT NEEDS THE SKILL OF EXPERIENCED OR WELL TRAINED PEOPLE, OR IS RECOMMENDED TO TAKE THE UNIT TO HITACHI DEALER.

Air filter (Fig. 11)

The air filter must be cleaned from dust and dirt in order to avoid:

- Carburetor malfunctions
- Starting problems
- Engine power reduction
- Unnecessary wear on the engine parts
- Abnormal fuel consumption

Remove the air cleaner cover by pushing and pulling back the tab on the top.

Clean the air filter daily or more often if working in exceptionally dusty areas.

Cleaning the air filter

Open the air filter cover and the filter. Rinse it in warm soap suds. Check that the filter is dry before reassembly. An air filter that has been used for some time cannot be cleaned completely. Therefore, it must regularly be replaced with a new one. A damaged filter must always be replaced.

Fuel filter (Fig. 12)

Drain all fuel from fuel tank and pull fuel filter line from tank. Pull filter element out of holder assembly and rinse element in warm water with detergent.

Rinse thoroughly until all traces of detergent are eliminated. Squeeze, do not wring, away excess water and allow element to air dry.

NOTE

If element is hard due to excessive dirt buildup, replace it.

Spark plug (Fig. 13)

The spark plug condition is influenced by:

- An incorrect carburetor setting
- Wrong fuel mixture (too much oil in the gasoline)
- A dirty air filter
- Hard running conditions (such as cold weather)

These factors cause deposits on the spark plug electrodes, which may result in malfunction and starting difficulties. If the engine is low on power, difficult to start or runs poorly at idling speed, always check the spark plug first. If the spark plug is dirty, clean it and check the electrode gap. Re-adjust if necessary. The correct gap is 0.6 mm. The spark plug should be replaced after about 100 operation hours or earlier if the electrodes are badly eroded.

NOTE

In some areas, local law requires using a resistor spark plug to suppress ignition signals. If this machine was originally equipped with resistor spark plug, use same type of spark plug for replacement.

Maintenance schedule

Below you will find some general maintenance instructions. For further information please contact your Hitachi dealer.

Daily maintenance

- Clean the exterior of the unit.
- Check the dust cover for damage or cracks. Change the cover in case of impacts or cracks.
- Check that nuts and screws are sufficiently tightened.

Weekly maintenance

- Check the starter, especially the cord.
- Clean the exterior of the spark plug.
- Remove the spark plug and check the electrode gap. Adjust it to 0.6 mm, or change the spark plug.
- Clean the air filter.

Monthly maintenance

- Rinse the fuel tank with gasoline, and clean fuel filter.
- Clean the exterior of the carburetor and the space around it.

Quarterly maintenance

- Clean the cooling fins on the cylinder.
- Clean the fan and the space around it.
- Clean the muffler of carbon.

CAUTION

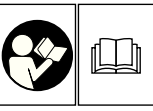

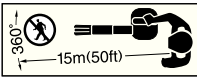

Cleaning of cylinder fins, fan and muffler shall be done by a Hitachi Authorized Service Center.

NOTE

When ordering the parts to your nearest dealer, please use the item No. showing on the parts breakdown section in this instruction.

SYMBOLBEDEUTUNGEN

HINWEIS: Nicht alle Geräte sind mit diesen Symbolen versehen.

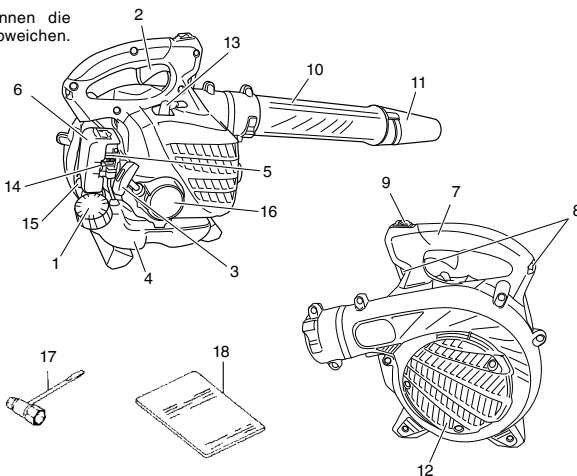
	<p>Symbole ⚠️ WARNUNG Die folgenden Symbole werden für diese Maschine verwendet. Achten Sie darauf, diese vor der Verwendung zu verstehen.</p>		
	<p>Es ist wichtig, dass Sie sich mit den nachfolgenden Vorsichtsmaßnahmen und Warnungen vertraut machen und diese befolgen. Unvorsichtige oder unsachgemäße Handhabung des Geräts kann schwere oder tödliche Verletzungen zur Folge haben.</p>		<p>WARNUNG ⚠️ GRFAHR Heiße Oberflächen ; Der Auspuff und die umgebende Abdeckung können äußerst heiß werden. Halten Sie zur Vermeidung schwerer Verletzungen deshalb genügend Abstand zum Auspuff und zum Katalysator.</p>
	<p>Lesen, verstehen und befolgen Sie alle Warnungen und Anweisungen in dieser Anleitung und am Gerät selbst.</p>		<p>Kinder und Zuschauer immer in einem Abstand von 15 m vom Gerät halten. Falls sich jemand nähert, den Motor sofort ausschalten.</p>
	<p>Bei Gebrauch des Geräts immer Gesichts-, Kopf- und Gehörschutz tragen.</p>		<p>Rutschfestes Schuhwerk tragen, das guten Halt bietet.</p>
	<p>WARNUNG ⚠️ GRFAHR Halten Sie die Hände vom drehenden Gebläse fern.</p>		

Inhalt	
TEILEBEZEICHNUNGEN.....	7
WARN- UND SICHERHEITSHINWEISE.....	8
TECHNISCHE DATEN.....	9
ZUSAMMENBAU.....	9
BETRIEB.....	9
WARTUNG.....	10

TEILEBEZEICHNUNGEN

Da dieses Handbuch für mehrere Modelle gilt, können die Abbildungen gegebenenfalls von Ihrem Gerät abweichen. Verwenden Sie die für Ihr Gerät geltenden Anweisungen.

1. Benzintank
2. Gashebel
3. Startgriff
4. Gashebel
5. Vergaser
6. Luftfilter
7. Griff
8. Tragegürtöse
9. Zündschalter
10. Gerades Rohr
11. Gebläserohr
12. Schutznetz
13. Zündkerze
14. Starterklappenknopf
15. Anlasseinspritzkolben
16. Anreißstarter
17. Kombierter Steckschlüssel
18. Bedienungsanleitung



WARN- UND SICHERHEITSHINWEISE

Bediensicherheit

- Beim Betrieb eine Staubschutzmaske tragen!
- Immer einen Gesichtsschutz bzw. eine Schutzbrille tragen.
- Stets schwere lange Hosen, Stiefel und Handschuhe tragen. Das Arbeiten mit lockerer Kleidung, Schmuck, kurzen Hosen, Sandalen oder barfuß ist zu vermeiden. Das Haar ist so zu sichern, dass es nicht bis zu den Schultern herunterhängt.
- Das Gerät darf nicht von Personen bedient werden, die übermüdet oder krank sind oder unter Alkohol- oder Medikamenteneinfluss stehen.
- Unter keinen Umständen zulassen, dass ein Kind oder eine unerfahrene Person mit dem Gerät arbeitet.
- Gehörschutz tragen. Die Umgebung im Auge behalten. Auf Beistehende achten, die unter Umständen ein Problem signalisieren. Die Schutzbekleidung erst nach Abstellen des Motors wieder ablegen.
- Kopfschutz tragen.
- Der Motor darf nie innerhalb geschlossener Räume oder Gebäude gestartet bzw. betrieben werden. Einatmen der Abgase kann den Tod zur Folge haben.
- Die Griffe frei von Öl und Kraftstoff halten.
- Hände weg von sich bewegenden Teilen und heißen Bereichen!
- Das Gerät nicht am Gebläserohr ergreifen oder halten.
- Nach dem Ausschalten des Motors unbedingt mit dem Abstellen des Geräts warten, bis der Motor vollständig stillsteht.
- Bei Dauereinsatz von Zeit zu Zeit eine Pause einlegen als vorbeugende Maßnahme gegen die Weißfingerkrankheit, die durch ständige Vibration verursacht wird.

⚠️ WARNUNG

- Vibrationsdämpfungssysteme sind kein garantierter Schutz gegen die Weißfingerkrankheit bzw. das Karpaltunnelsyndrom. Daher ist bei regelmäßigem Dauereinsatz des Geräts der Zustand von Fingern und Handwurzeln aufmerksam zu beobachten. Falls Symptome der obengenannten Krankheiten auftreten, sofort einen Arzt aufsuchen.
- Träger eines medizinischen elektrischen bzw. elektronischen Geräts (Herzschrittmacher u. dgl.) sollten sich vor dem Gebrauch eines Motorgeräts von Ihrem Arzt sowie dem Hersteller des Geräts diesbezüglich beraten lassen.

Geräte-/Maschinensicherheit

- Das Gerät vor jedem Einsatz einer eingehenden Kontrolle unterziehen. Beschädigte Teile ersetzen. Das Gerät auf auslaufenden Kraftstoff untersuchen und sicherstellen, dass alle Befestigungsteile vorhanden und sicher angezogen sind.
- Gerissene, ausgebrochene oder auf andere Weise beschädigte Teile sind vor dem Einsatz des Gerätes durch neue zu ersetzen.
- Es ist darauf zu achten, dass die Schutzvorrichtung ordnungsgemäß angebracht ist.
- Während der Vergasereinstellung dürfen sich andere Personen nicht in der Nähe aufhalten.
- Nur das vom Hersteller für dieses Gerät empfohlene Zubehör darf verwendet werden.

⚠️ WARNUNG

Keinesfalls das Gerät in irgendeiner Weise abändern. Das Gerät nur für die Zwecke verwenden, für die es bestimmt ist.

Kraftstoffsicherheit

- Treibstoff ist leicht entflammbar und kann zu schweren Verletzungen führen, wenn er eingeatmet wird oder auf Ihren Körper schwappt. Gehen Sie beim Umgang mit Treibstoff sorgfältig vor. Sorgen Sie beim Umgang mit Treibstoff innerhalb von Gebäuden für ausreichende Belüftung.
- Kraftstoff im Freien und von Funken und Feuer entfernt mischen und einfüllen.
- Einen für Kraftstoffe zugelassenen Behälter verwenden.
- In der Nähe des Kraftstoffs, des Geräts sowie beim Arbeiten mit dem Gerät ist das Rauchen zu unterlassen.
- Vor dem Starten des Motors muss eventuell verschütteter Kraftstoff restlos entfernt werden.
- Zum Starten des Motors das Gerät mindestens 3 m von der Kraftstoffzufüllstelle entfernen.

- Vor dem Abnehmen des Tankdeckels den Motor ausschalten.
- Vor der Einlagerung des Geräts den Kraftstofftank leeren. Es wird empfohlen, den Kraftstoff nach jedem Einsatz abzulassen. Mit gefülltem Tank ist das Gerät so zu lagern, dass kein Kraftstoff ausläuft.
- Gerät und Kraftstoff an einem Ort lagern, wo Kraftstoffdämpfe nicht mit Funken oder offenen Flammen von Wassererhitzern, Elektromotoren oder elektrischen Schaltern, Öfen usw. in Berührung kommen können.

⚠️ WARNUNG

Kraftstoff ist leicht entflammbar, kann explodieren und schadet den Atemwegen, weshalb bei der Handhabung von und der Befüllung mit Kraftstoff entsprechend umsichtig vorzugehen ist.

Sicherheitshinweise zum Betrieb des Gebläses

- Betätigen Sie das Gerät/die Maschine nur zu angenehmen Zeiten, nicht früh morgens oder spät abends, wenn die Leute gestört werden könnten. Befolgen Sie die Arbeitszeit, welche von den örtlichen Verordnungen vorgeschrieben wurde. Die gewöhnlichen Empfehlungen beziehen sich auf eine Arbeitszeit von 9 Uhr morgens bis 5 Uhr nachmittags von Montag bis Samstag.
- Gegen die Zuschauer die Luftentladung niemals hinrichten. Man soll niemanden in der Nähe der Arbeitszone erlauben. Beim Hinrichten der Luftentladung darauf bedacht sein Glasanlagen, Kraftfahrzeuge, usw. zu vermeiden.
- Bei der Verwendung des Werkzeugs auf unebene Bürgersteige, Löcher im Grund oder andere unbeständige Verhältnisse achtsam werden.
- Alle möglichen Sicherheitsmassnahmen ergreifen, wann das Werkzeug unbeaufsichtigt bleibt, wie das Anhalten des Motors.
- Das Werkzeug ohne Schutzvorrichtungen, Blastrohre oder andere Schutzgeräte am Platze niemals betätigen. (Wenn es so ausgerüstet ist).
- Kinder, Tiere, Umstehende, Helfer usw. dürfen sich nicht innerhalb der 15 m-Gefahrenzone aufhalten. Den Motor sofort abstellen, wenn sich jemand nähert.
- Der Motor muss sich immer auf der rechten Körperseite befinden.
- Auf sicheren Stand und gutes Gleichgewicht achten. Nicht zu weit vorbeugen.
- Den Schalldämpfer vom Körper fernhalten.
- Beim Arbeiten mit Motorgeräten stets einen Verbandskasten mitführen.
- Der Motor darf nie innerhalb geschlossener Räume oder Gebäude und/oder in der Nähe entflammbarer Flüssigkeiten gestartet bzw. betrieben werden. Einatmen der Abgase kann den Tod zur Folge haben.

Wartungssicherheit

- Das Gerät vorrichtsmäßig warten.
- Vor Durchführung von Wartungsarbeiten die Zündkerze entfernen, sofern es sich nicht um eine Vergasereinstellung handelt.
- Während der Vergasereinstellung dürfen sich andere Personen nicht in der Nähe aufhalten.
- Nur Original-Ersatzteile von Hitachi verwenden, wie vom Hersteller empfohlen.

VORSICHT

Den Zugstarter nicht zerlegen. Die Feder der Vorrichtung kann Verletzungen verursachen.

Transport und Lagerung

- Das Gerät mit ausgeschaltetem Motor tragen und den Schalldämpfer vom Körper fernhalten.
- Den Motor abkühlen lassen, den Kraftstofftank entleeren und das Gerät sichern, bevor es gelagert oder in einem Fahrzeug transportiert wird.
- Vor der Einlagerung des Geräts den Kraftstofftank leeren. Es wird empfohlen, den Kraftstoff nach jedem Einsatz abzulassen. Mit gefülltem Tank ist das Gerät so zu lagern, dass kein Kraftstoff ausläuft.
- Das Gerät so lagern, dass es nicht in Kinderhände gerät.

- Das Gerät sorgfältig reinigen und warten, um es dann an einem trockenen Ort zu lagern.
- Bei Transport oder Lagerung darauf achten, dass der Zündschalter ausgeschaltet ist.

In Situationen, die nicht in dieser Anleitung behandelt sind, entsprechende Vor- und Umsicht walten lassen. Sollten Sie Hilfe benötigen, wenden Sie sich an Ihren Hitachi-Fachhändler. Abschnitte, denen besondere Aufmerksamkeit gewidmet werden sollte, werden durch folgende Wörter hervorgehoben:

⚠️ WARNUNG

Kennzeichnet Anweisungen, deren Nichtbefolgung eine schwere Verletzung oder den Tod zur Folge haben kann.

VORSICHT

Kennzeichnet Anweisungen, deren Nichtbefolgung eine Verletzung oder Sachschaden zur Folge haben kann.

HINWEIS

Kennzeichnet nützliche Informationen für den vorschriftsmäßigen Gebrauch.

TECHNISCHE DATEN

Modell	RB24EAP/RB24EA
Motorgröße (ml)	23,9
Zündkerze	NGK BMR7A
Trockengewicht (kg)	3,9
Kraftstofftankvolumen (l)	0,52
Schalldruckpegel LpA (dB (A)) nach ISO22868	By ANSI 69*2 By CEN 87*1
Unsicherheit (dB (A))	1,8*1
Schalleistungspegel Lw gemessen (dB (A)) nach ISO22868	107*1
Schalleistungspegel LwA (dB(A)) nach 2000/14/EC	109*1
Vibrationspegel (m/s ²) nach ISO22867	12
Schwankung (m/s ²)	1,0

*1: Die entsprechenden Geräusch-/Vibrationspegel werden als zeitgewichtete Energiesumme für Geräusch-/Vibrationspegel unter verschiedenen Arbeitsbedingungen mit folgender Zeitaufteilung berechnet: 1/7 Leerlauf, 6/7 schnell.
*2: ANSI B175.2
* Änderung der technischen Daten jederzeit vorbehalten.

ZUSAMMENBAU

Gebälserohr an Gehäuse (Abb.1)

Gehäuse und Zubehör überprüfen. Das gerade Rohr (1) fest anschließen. Den Vorsprung (2) am geraden Rohr auf die Nut (3) am Gebläsegehäuse ausrichten und das Rohr in das Gebläsegehäuse einschieben. Das Rohr nach rechts drehen, bis es einrastet.

Gebälserohr auf gerades Rohr (Abb. 2)

- Bringen Sie die Nut (5) am Gebläserohr (6) und den Vorsprung (4) am geraden Rohr (1) zur Deckung und drehen Sie das Gebläserohr, bis es einrastet.

BETRIEB

Kraftstoff (Abb. 3)

⚠️ WARNUNG

- Das Gerät/die Maschine ist mit einem Zweitaktmotor ausgestattet. Sie muss daher mit Kraftstoff-Ölgemisch betrieben werden. Beim Handhaben von und Auftanken mit Kraftstoff ist stets für gute Belüftung zu sorgen.
- Kraftstoff ist stark entflammbar und kann bei Einatmen oder Hautkontakt schwere Verletzungen verursachen. Kraftstoff stets mit der gebotenen Umsicht handhaben. Bei der Handhabung von Kraftstoff in Gebäuden immer auf gute Belüftung achten.

Kraftstoff

- Stets einen bleifreien Markenkraftstoff mit einer Oktanzahl von 89 oder höher verwenden.
- Original-Zweitaktöl oder ein fertiges Zweitaktgemisch in einem Mischungsverhältnis von 25:1 bis 50:1 verwenden. Hierzu die Anweisungen am Zweitaktölbehälter beachten oder den Hitachi-Fachhändler um Rat fragen.
- Sollte Original-Zweitaktöl nicht zu beschaffen sein, ein qualitativ hochwertiges Öl mit Korrosionsschutz-Additiv verwenden, das laut Beschriftung speziell für luftgekühlte Zweitaktmotoren geeignet ist (Klassifikation JASO FC oder ISO EGC). Kein BIA- oder TCW-Mischöl (für wassergekühlte Zweitakter) verwenden.
- Nie Öl für einen Viertaktmotor oder Altöl verwenden.
- Kraftstoff und Öl immer in einem separaten sauberen Behälter mischen.

Zuerst die Hälfte des zu verwendenden Kraftstoffs einfüllen. Dann die ganze Ölmenge. Die Kraftstoffmischung verrühren (schütteln). Den restlichen Kraftstoff hinzufügen. Die Kraftstoffmischung sorgfältig verrühren (schütteln), bevor sie in den Tank gefüllt wird.

Auftanken

⚠️ WARNUNG

- Vor dem Auftanken immer den Motor ausschalten und einige Minuten abkühlen lassen.
- Zum Auffüllen mit Kraftstoff den Kraftstofftankdeckel langsam aufdrehen, um einen eventuellen Überdruck im Tank abzulassen.
- Den Kraftstofftankdeckel nach dem Auftanken wieder fest zudrehen.
- Den Motor das Gerät mindestens 3 m von der Auftankstelle entfernt starten.
- Rauchen Sie beim Umgang bzw. Einfüllen des Treibstoffs nicht und/oder vermeiden Sie Flammen bzw. Funkenbildung in der Nähe des Treibstoffs.
- Eventuell auf die Kleidung geratenen Kraftstoff sofort mit Seife auswaschen.
- Nach dem Auftanken sicherstellen, dass kein Kraftstoff ausläuft.

Vor dem Betanken des Geräts den Bereich um den Tankdeckel gut säubern, damit kein Schmutz in den Tank gerät. Den Behälter vor dem Betanken schütteln, um Öl und Kraftstoff gut zu mischen.

Starten

VORSICHT

Nicht starten, wenn das Rohr und das Rohr und das Schutznetz verstopft sind.

1. Prüfen, ob der Schalter (7) auf ON steht. **(Abb. 4)**
* Die Ansaugpumpe (8) mehrmals betätigen, damit Kraftstoff durch die Pumpe oder das Rücklaufrohr (9) fließt, **(Abb. 5)**
2. Den Choke in Schließstellung CLOSED schieben. **(Abb. 6)**

- Nun kräftig am Starterhandgriff ziehen, dabei den Griff fest in der Hand halten, damit er nicht zurückschnellen kann. (Abb. 7)
- Wenn der Motor hörbar anspringt, den Choke wieder in die normale Betriebsstellung (offen) zurückschieben. Dann noch einmal kräftig am Starterhandgriff ziehen.

WARNUNG

- Man soll die Maschine betreiben Sie den Motor niemals in geschlossenen Räumen bzw. Gebäuden und/oder in der Nähe von brennbaren Flüssigkeiten. Das Einatmen von Abgasen kann zum Tod führen.
- Achten Sie darauf, dass das Seil nicht zurückschnappen kann und halten Sie das Gerät immer mit beiden Händen fest.

HINWEIS

Sollte der Motor nicht anspringen, Schritte 2 bis 4 wiederholen.

- Danach den Motor ca. 2-3 Minuten Warm-laufen lassen, bevor er belastet wird.
* Wenn der Motor stoppt und sich schwer gleich wieder neu starten lässt, den Motor vor einem neuerlichen Versuch abkühlen lassen.

Betrieb des Gebläses (Abb. 8)

- Man soll eine niedrige Drehzahl benutzen, um Blätter und trockenes Gras zu abblasen.
- Man soll eine mittelmässige Drehzahl benutzen, um feuchte Blätter und Gras zu abblasen.
- Man soll den Schnellgang verwenden, wann Kies, Schmutz oder andere schweren Massen bewegt werden.

WARNUNG

- Den austretenden Luftstrom nicht auf Personen oder Haustiere richten.
- Das Gerät soll in einer gut gelüfteten Zone betätigt werden.
- Führen Sie bei laufendem Motor keine Montage- bzw. Demontearbeiten durch, da dies zu schweren Verletzungen führen kann.
- Berühren Sie bei laufendem Motor bzw. unmittelbar nach dem Abschalten des Motors niemals den Auspuff, die Zündkerze oder die Metallteile des Geräts.

VORSICHT

Dieses Gerät ist für den Betrieb mit komplett montierten Gebläserohren konstruiert und eingestellt. Es darf emals ohne das gerade Rohe, oder das Gebläserohr betrieben werden.

Abstellen (Abb. 9)

Verringern Sie die Motordrehzahl und lassen Sie den Motor einiger Minuten im Leerlauf laufen. Schalten Sie dann den Zündungsschalter aus.

WARTUNG

WARTUNG, AUSTAUSCH ODER REPARATUR DER ABGASKONTROLLVORRICHTUNGEN UND -SYSTEME KANN VON JEDER AUF KLEINMOTOREN (NICHT FÜR DEN STRASSENVERKEHR VORGESEHENE MOTOREN) SPEZIALISIERTEN FACHWERKSTATT ODER PERSON DURCHFÜHRT WERDEN.

Vergaserseinstellung (Abb. 10)

Im Vergaser werden Luft und Kraftstoff gemischt. Die Grundeinstellung des Vergasers wurde beim werksseitigen Probelauf des Motors bereits vorgenommen. Je nach Klima und Höhenlage des Einsatzorts kann eine Korrektur dieser Einstellung erforderlich werden. Der Vergaser bietet eine Einstellmöglichkeit:
T = Leerlauf-Einstellschraube.

Einstellung des Leerlaufs (T)

Prüfen, ob der Luftfilter sauber ist. Sollte ein Nachstellen erforderlich sein, die Stellschraube (T) für LEERLAUF-Geschwindigkeit (nach rechts) zudrehen, um die Drehzahl zu erhöhen, bzw. (nach links) aufdrehen, um die Drehzahl zu verringern. Die Standard-Leerlaufdrehzahl ist 2800-3200 U/Min.

EMPFEHLUNG

DIE EINSTELLUNG DES VERGASERS MUSS DURCH ERFAHRENE ODER GUT GESCHULTE PERSONEN VORGENOMMEN WERDEN. ES WIRD EMPFOHLEN, DAS GERÄT ZU EINEM HITACHI-HÄNDLER ZU BRINGEN.

Luftfilter (Abb. 11)

Den Luftfilter regelmäßig von Staub und Schmutz befreien zur Vermeidung von:

- Vergaserstörungen
- Startschwierigkeiten
- Leistungsverminderung
- Unnötigem Verschleiß von Motorteilen
- Unnormal hohem Kraftstoffverbrauch

Zum Abnehmen des Luftfilterdeckels die Zunge an der Oberseite drücken und zurückziehen.

Den Luftfilter mindestens einmal täglich reinigen, bei extremer Staubbelastung entsprechend häufiger.

Reinigung des Luftfilters

Öffnen Sie den Luftfilterdeckel und den Filter. Den Filter in warmer Seifenlauge spülen. Den Luftfilter erst wieder einbauen, wenn er vollständig trocken ist. Ein Luftfilter, der bereits längere Zeit verwendet wurde, wird nicht vollständig sauber. Er sollte daher in regelmäßigen Abständen durch einen neuen ersetzt werden. Ein beschädigter Luftfilter muss umgehend ausgewechselt werden.

Kraftstofffilter (Abb. 12)

Den Kraftstoff vollständig aus dem Tank ablassen und die Kraftstofffilterleitung aus dem Tank entfernen. Den Filtereinsatz aus der Haltevorrichtung ziehen und in warmem Wasser mit Reinigungsmittel ausspülen.

Danach sorgfältig abspülen, bis alle Reinigungsmittelreste entfernt sind. Überschüssiges Wasser herausdrücken (nicht auswringen), und den Einsatz dann an der Luft trocknen lassen.

HINWEIS

Aufgrund von übermäßiger Verschmutzung hart gewordene Filter durch neue ersetzen.

Zündkerze (Abb. 13)

Der Zustand der Zündkerze wird durch folgende Faktoren beeinträchtigt:

- Eine falsche Vergasereinstellung
- Falsches Kraftstoffgemisch (zu viel Öl im Benzin)
- Einen verschmutzten Luftfilter
- Harte Einsatzbedingungen (z.B. bei kalter Witterung)

Diese Faktoren verursachen Ablagerungen an den Elektroden der Zündkerze, die zu Betriebsstörungen und Startschwierigkeiten führen können. Wenn der Motor einen Leistungsabfall zeigt, schwer zu starten ist oder im Leerlauf ungleichmäßig läuft, immer als erstes die Zündkerze kontrollieren. Ist die Zündkerze verschmutzt, so ist sie zu reinigen und der Elektrodenabstand zu prüfen. Falls erforderlich Justierung vornehmen. Der korrekte Abstand beträgt 0,6 mm. Die Zündkerze ist nach ungefähr 100 Betriebsstunden bzw. bei starkem Verschleiß der Elektroden auszutauschen.

HINWEIS

In manchen Gebieten ist zur Unterdrückung von Zündstörungen die Verwendung einer Zündkerze mit eingebautem Widerstand vorgeschrieben. Sollte das Gerät anfänglich mit einer solchen Zündkerze ausgestattet gewesen sein, müssen auch später stets Ersatzkerzen des gleichen Typs verwendet werden.

Wartungsplan

Im Folgenden sind einige allgemeine Wartungsanweisungen aufgeführt. Weitergehende Informationen erhalten Sie bei Ihrem Hitachi-Fachhändler.

Tägliche Wartung

- Das Äußere des Geräts reinigen.
- Der Staubdeckel muß unbeschädigt und frei von Rissen sein. Wenn der Deckel einen mechanischen Schaden oder Risse aufweist, muß er ausgetauscht werden.
- Prüfen, ob Mutter und Schrauben ausreichend fest angezogen sind.

Wöchentliche Wartung

- Den Starter und insbesondere das Seil überprüfen.
- Die Zündkerze äußerlich reinigen.
- Die Zündkerze herauserschrauben und den Elektrodenabstand kontrollieren. Den Abstand auf 0,6 mm einstellen oder die Zündkerze auswechseln.
- Luftfilter reinigen.

Monatliche Wartung

- Den Kraftstofftank mit Benzin ausspülen und den Kraftstofffilter reinigen.
- Das Äußere des Vergasers und seine Umgebung reinigen.

Vierteljährliche Wartung

- Reinigen Sie die Kühlrippen am Zylinder.
- Den Lüfter und seine Umgebung reinigen.
- Den Schalldämpfer von Rußablagerungen befreien.

VORSICHT

Das Reinigen von Zylinderrippen, Gebläse und Schalldämpfer muss von einem einer von HITACHI autorisierten Service-Werkstatt durchgeführt werden.

HINWEIS

Geben Sie bei Bestellungen bei Ihrem Händler vor Ort bitte die im Abschnitt Stückliste dieser Anleitung angegebene Artikelnummer an.

ΕΠΕΞΗΓΗΣΗ ΣΥΜΒΟΛΩΝ

ΣΗΜΕΙΩΣΗ: Δεν υπάρχουν σε ορισμένες συσκευές.

	<p>Σύμβολα ⚠ ΠΡΟΕΙΔΟΠΟΙΗΣΗ Τα παρακάτω δείχνουν τα σύμβολα που χρησιμοποιούνται στο μηχάνημα. Βεβαιωθείτε ότι κατανοείτε τη σημασία τους πριν τη χρήση.</p>		
	<p>Είναι σημαντικό να διαβάσετε, να κατανοήσετε πλήρως και να τηρήσετε τις ακόλουθες υποδείξεις ασφάλειας και προειδοποίησης. Η ακατάλληλη ή αμελής χρήση της συσκευής μπορεί να προκαλέσει σοβαρούς τραυματισμούς.</p>		<p>ΠΡΟΕΙΔΟΠΟΙΗΣΗ ⚠ ΚΙΝΔΥΝΟΣ Θερμές επιφάνειες : Ο σιγαστήρας και το περίβλημα ενδέχεται να υπερθερμανθεί. Ποτέ να μην πλησιάζετε την περιοχή της εξάτμισης και του σιγαστήρα, διαφορετικά μπορεί να συμβεί ένας σοβαρός προσωπικός τραυματισμός.</p>
	<p>Διαβάστε, κατανοήστε και ακολουθήστε όλες τις προειδοποιήσεις και οδηγίες αυτού του εγχειριδίου της συσκευής.</p>		<p>Κρατήστε τα παιδιά, τους παρευρισκόμενους και τους βοηθούς 15 m μακριά όταν χρησιμοποιείτε το εργαλείο. Αν κάποιος σας πλησιάσει, σβήστε αμέσως τη μηχανή.</p>
	<p>Φοράτε πάντα προστατευτικά γυαλιά, κράνος και προστατευτικά αυτιά όταν χρησιμοποιείτε τη συσκευή.</p>		<p>Χρησιμοποιείτε αντι - ολισθητικά και ενισχυμένα υποδήματα.</p>
	<p>ΠΡΟΕΙΔΟΠΟΙΗΣΗ ⚠ ΚΙΝΔΥΝΟΣ Κρατήστε τα χέρια μακριά από τον περιστρεφόμενο ανμιστήρα.</p>		

Περιεχόμενα

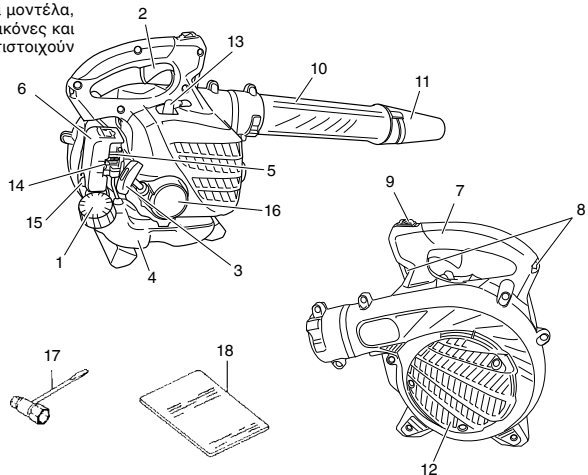
ΤΙ ΕΙΝΑΙ ΤΙ	12
ΠΡΟΕΙΔΟΠΟΙΗΣΕΙΣ ΚΑΙ ΥΠΟΔΕΙΞΕΙΣ ΑΣΦΑΛΕΙΑΣ	13
ΤΕΧΝΙΚΑ ΧΑΡΑΚΤΗΡΙΣΤΙΚΑ	14

ΔΙΑΔΙΚΑΣΙΕΣ ΣΥΝΑΡΜΟΛΟΓΗΣΗΣ	14
ΔΙΑΔΙΚΑΣΙΑ ΛΕΙΤΟΥΡΓΙΑΣ	14
ΣΥΝΤΗΡΗΣΗ	15

ΤΙ ΕΙΝΑΙ ΤΙ

Καθώς αυτό το εγχειρίδιο καλύπτει παραπάνω από ένα μοντέλα, μπορεί να υπάρχουν κάποιες διαφορές ανάμεσα στις εικόνες και στη συσκευή σας. Χρησιμοποιείτε τις οδηγίες που αντιστοιχούν στη συσκευή σας.

1. Καπάκι καυσίμου
2. Σκανδάλη γκαζιού
3. Χερούλι εκκίνησης
4. Προφυλακτήρας λάμας
5. Εξάρτημα κοπής
6. Σωλήνας άξονα μετάδοσης κίνησης
7. Λαβή
8. Στροφέιο ανάρτησης
9. Διακόπτης ανάφλεξης
10. Λουρί
11. Κωνικός σωλήνας
12. Δίκτυ ασφαλείας
13. Μοχλός τσοκ
14. Κινητήρας
15. Γωνιακή μετάδοση
16. Εκκινητής επαναφοράς
17. Πολλαπλό μηχανικό κλειδί
18. Οδηγίες ιδιοκτητή



ΠΡΟΕΙΔΟΠΟΙΗΣΕΙΣ ΚΑΙ ΥΠΟΔΕΙΞΕΙΣ ΑΣΦΑΛΕΙΑΣ

Ασφάλεια χρήστη

- Μια μάσκα φίλτραρίσματος της σκόνης πρέπει να φοριέται κατά την χρήση.
- Πάντοτε να φοράτε μια προστατευτική προσωπίδα ή προστατευτικά γυαλιά.
- Πάντα να φοράτε χρονό, μακρύ παντελόνι και γάντια. Μην φοράτε φαρδιά ρούχα, κοσμήματα, κοντά παντελόνια, σανδάλια ή να είστε ξυπόλυτοι. Ασφαλίστε τα μαλλιά σας σε ύψος πάνω από τον ώμο.
- Μην κάνετε χρήση αυτού του εργαλείου όταν ήσαστε κουρασμένοι, άρρωστοι ή υπό την επήρεια αλκοόλ, ναρκωτικών ή φαρμάκων.
- Ποτέ μην επιτρέψετε σε ένα παιδί να ή ένα άπειρο άτομο να χειριστεί αυτό το εργαλείο.
- Φοράτε προστατευτικό ακοής. Δώστε προσοχή γύρω σας. Προσέξτε τους παραβρισκόμενους οι οποίοι μπορεί να σας υποδεικνύουν κάποιο πρόβλημα. Αφαιρέστε αμέσως τον εξοπλισμό ασφαλείας μετά το βήσιμο του κινητήρα.
- Φοράτε προστατευτικό κεφαλή.
- Ποτέ μην ξεκινάτε ή λειτουργείτε τον κινητήρα μέσα σε ένα κλειστό δωμάτιο ή κτίριο. Η εισπνοή των καυσαερίων της εξάτμισης μπορεί να επιφέρει το θάνατο.
- Διατηρείτε τις λαβές καθαρές από λάδι και καύσιμα.
- Κρατήστε τα χέρια μακριά από κινούμενα ξαρτήματα ή ζστική προχοή.
- Μην αρπάξτε ή κρατήστε την συσκευή από το φυσητήρα.
- Όταν η συσκευή είναι κλειστή, σιγουρευτείτε ότι ο κινητήρας έχει σταματήσει πριν τοποθετηθεί η συσκευή κάτω.
- Κατά την παρατεταμένη λειτουργία, κατά διαστήματα κάνετε ένα διάλειμμα για να αποφύγετε το πιθανό σύνδρομο της δόνησης χεριού-βραχιονίου (HAVS) που προκαλείται από την έντονη δόνηση.

ΠΡΟΕΙΔΟΠΟΙΗΣΗ

- Τα συστήματα κατά της δόνησης δεν εγγυώνται ότι δεν θα υποστείτε το σύνδρομο χεριού-βραχιονίου ή ένα σύνδρομο καρπιαίου σωλήνα. Για αυτό θα πρέπει οι τακτικοί χρήστες να ελέγχουν συχνά την κατάσταση των χεριών και δακτύλων τους. Αν παρουσιαστεί κάποιο από τα παραπάνω συμπτώματα, συμβουλευτείτε άμεσα έναν ιατρό.
- Εάν χρησιμοποιείτε κάποιες ηλεκτρικές/ηλεκτρονικές ιατρικές συσκευές όπως είναι βηματόδοτη, συμβουλευτείτε τον ιατρό όπως επίσης και τον κατασκευαστή της συσκευής πριν την χρήση του οποιοδήποτε μηχανοκίνητου εξοπλισμού.

Ασφάλεια συσκευής/μηχανήματος

- Ελέγξτε όλη τη συσκευή/μηχάνημα πριν από κάθε χρήση. Αντικαταστήστε τα εξαρτήματα που έχουν φθαρεί. Ελέγξτε τις διαρροές καυσίμου και βεβαιωθείτε ότι όλοι οι σύνδεσμοι βρίσκονται στη θέση τους και είναι σφιγμένοι.
- Αντικαταστήστε τα εξαρτήματα που παρουσιάζουν ρωγμές, ραγίσματα ή έχουν πάθει οποιοδήποτε ζημιά, πριν την χρήση της συσκευής/μηχανήματος.
- Σιγουρευτείτε ότι ο προφυλακτήρας ασφαλείας είναι κατάλληλα τοποθετημένος.
- Κρατήστε τα άλλα άτομα μακριά όταν ρυθμίζετε το καρμπυρατέρ.
- Χρησιμοποιείτε μόνο ανταλλακτικά που συστήνονται για αυτή τη συσκευή/μηχάνημα από τον κατασκευαστή.

ΠΡΟΕΙΔΟΠΟΙΗΣΗ

- Ποτέ μην τροποποιείτε τη συσκευή/μηχάνημα με οποιοδήποτε τρόπο. Μην χρησιμοποιείτε τη συσκευή/μηχάνημα για άλλη χρήση εκτός από αυτή για την οποία προορίζεται.

Ασφάλεια καυσίμου

- Το καύσιμο περιέχει εύφλεκτα υγρά και είναι δυνατόν να τραυματιστείτε βαριά όταν το εισπνεύσετε ή το ρίξετε πάνω στο σώμα σας. Να δείχνετε πάντοτε προσοχή κατά το χειρισμό του καυσίμου. Πάντοτε να παρέχετε επαρκή αερισμό, κατά τον χειρισμό του καυσίμου μέσα σε κτίριο.

- Ανακατεύετε και ρίχνετε το καύσιμο σε εξωτερικό χώρο και όπου δεν υπάρχουν σπινθήρες ή φλόγες.
- Χρησιμοποιείτε ένα δοχείο κατάλληλο για καύσιμο.
- Μην καπνίζετε ή επιτρέπετε το κάπνισμα κοντά σε καύσιμα ή στη συσκευή/μηχάνημα ή κατά την χρήση της συσκευής/μηχάνημα.
- Σκουπίστε όλες τις κηλίδες καυσίμου πριν την εκκίνηση του κινητήρα.
- Μετακινηθείτε τουλάχιστον 3 μέτρα μακριά από την περιοχή τροφοδοσίας καυσίμου πριν την εκκίνηση του κινητήρα.
- Σταματήστε τον κινητήρα πριν την αφαίρεση του καπακιού του καυσίμου.
- Αδειάστε τις δεξαμενές πριν την αποθήκευση της συσκευής/μηχανήματος. Συνιστάται το άδειασμα του καυσίμου μετά από κάθε χρήση. Αν το καύσιμο παραμείνει στη δεξαμενή, αποθηκεύστε το ώστε να μην υπάρξει διαρροή.
- Αποθηκεύστε τη συσκευή/μηχάνημα και το καύσιμο σε χείρο όπου οι ατμοί του καυσίμου δεν μπορούν να φτάσουν σε σπινθήρες ή ανοικτές φλόγες από θερμομαντήρες νερού, ηλεκτρικούς κινητήρες ή διακόπτες, λέβητες κλπ.

ΠΡΟΕΙΔΟΠΟΙΗΣΗ

- Το καύσιμο μπορεί με ευκολία να αναφλεγεί, εκραγεί ή να εισπνευστούν οι ατμοί του, έτσι προσέξτε ιδιαίτερα κατά τον χειρισμό ή το γέμισμα του καυσίμου.

Ασφάλεια κατά το φύσημα

- Λειτουργείτε την συσκευή/μηχανή μόνο σε λογικές ώρες - όχι πολύ νωρίς το πρωί ούτε αργά το βράδυ όπου κάποιοι μπορεί να ενοχληθούν. Να συμμορφώνω με τις ώρες που αναφέρονται στις τοπικές διατάξεις. Οι συνήθως συνιστώμενες ώρες χρήσης είναι μεταξύ 9:00 πμ και 5:00 μμ., από τη Δευτέρα μέχρι το Σάββατο.
- Ποτέ να μην κατευθύνω τον κφορτιζόμενο αέρα προς τους παριστάμενους ή πιτρέψω στον οποιοδήποτε να βρίσκεται κοντά στην προχοή της ργασίας σας. Δώστε προσοχή στην κατύθυνση της κφορτίσης για να αποφύγω τα τζάμια, τις πριφράξες, τα αυτοκίνητα κλπ.
- Δώστε προσοχή στα ανώμαλα πεζοδρόμια, τις λακούβες στο έδαφος ή τις άλλες σταθερές καταστάσεις κατά τη χρήση της συσκευής/μηχανήματος.
- Πάρτε όλα τα δυνατά μέτρα προστασίας όταν αφήνω το ργαλίο μόνο του όπως κατά το σταμάτημα του κινητήρα.
- Ποτέ να μην χρησιμοποιώ την συσκευή/μηχάνημα χωρίς να βρίσκονται στη θέση τους οι προφυλακτήρες, οι σωλήνες κροής ή οι άλλες προστατευτικές συσκευές. (Εάν παρέχονται.)
- Κρατήστε τους άλλους συμπεριλαμβανομένων των παιδιών, ζώων και τους παραβρισκόμενους και βοηθούς μακριά από τη ζώνη κινδύνου. Σταματήστε τον κινητήρα αμέσως όταν κάποιος σας πλησιάσει.
- Πάντα κρατάτε τον κινητήρα στη δεξιά πλευρά του σώματός σας.
- Διατηρήστε σταθερό πάτημα και ισορροπία. Μην τεντώνεστε.
- Κρατήστε όλα τα μέρη του σώματος σας μακριά από το σγαστήρα.
- Πάντοτε να έχετε ένα κοντί πρώτων βοηθειών όταν χειρίζεστε οποιοδήποτε μηχανοκίνητο εργαλείο.
- Ποτέ να μην ξεκινάτε ή λειτουργείτε τον κινητήρα μέσα σε ένα κλειστό δωμάτιο ή κτίριο ή/και κοντά σε ένα εύφλεκτο υγρό. Η εισπνοή των καυσαερίων της εξάτμισης μπορεί να επιφέρει το θάνατο.

Ασφάλεια συντήρησης

- Διατηρήστε τη συσκευή/μηχάνημα σύμφωνα με τις απαιτούμενες διαδικασίες.
- Αποσυνδέστε το μπουζί πριν από την εκτέλεση της συντήρησης εκτός από την περίπτωση των ρυθμίσεων του καρμπυρατέρ.
- Κρατήστε τα άλλα άτομα μακριά όταν ρυθμίζετε το καρμπυρατέρ.
- Χρησιμοποιείτε μόνο αυθεντικά ανταλλακτικά της Hitachi όπως συνιστάται από τον κατασκευαστή.

ΠΡΟΕΙΔΟΠΟΙΗΣΗ

- Μην αποσυναμολογείτε τον εκκινητήρα ανατύλιξης. Σοβαροί τραυματισμοί μπορούν να προκληθούν από αναπήδηση του εκκινητήρα.

Μεταφορά και αποθήκευση

- Μεταφέρετε τη συσκευή/μηχάνημα με το χέρι με τη μηχανή σταματημένη και το σιγαστήρα μακριά από το σώμα σας.
- Αφήστε τη μηχανή να κρυώσει, αδειάστε τη δεξαμενή καυσίμου και ασφαλίστε τη συσκευή/μηχάνημα πριν την αποθήκευση ή μεταφορά σε ένα όχημα.
- Αδειάστε τη δεξαμενή πριν την αποθήκευση της συσκευής/μηχανήματος. Συνιστάται το άδειασμα του καυσίμου μετά από κάθε χρήση. Αν το καύσιμο παραμείνει στη δεξαμενή, αποθηκεύστε το ώστε να μην υπάρξει διαρροή.
- Αποθηκεύστε τη συσκευή/μηχάνημα μακριά από παιδιά.
- Καθαρίζετε και συντηρείτε τη συσκευή προσεκτικά και αποθηκεύετε σε ξηρό μέρος.
- Βεβαιωθείτε ότι η μηχανή είναι βσημένη κατά τη μεταφορά ή την αποθήκευση.

Στις περιπτώσεις που σας δεν καλύπτει αυτός ο οδηγός, δώστε προσοχή και χρησιμοποιήστε την κοινή λογική. Επικοινωνήστε με τον εμπορικό αντιπρόσωπο της Hitachi αν χρειαστείτε βοήθεια. Δώστε ιδιαίτερη προσοχή στις προτάσεις που αποτελούνται από τις παρακάτω λέξεις:

⚠️ ΠΡΟΕΙΔΟΠΟΙΗΣΗ

Υποδεικνύει μια υψηλή πιθανότητα σοβαρού τραυματισμού ή βλάβης εξοπλισμού, αν δεν ακολουθηθούν οι οδηγίες.

ΠΡΟΕΙΔΟΠΟΙΗΣΗ

Υποδεικνύει μια πιθανότητα τραυματισμού ή βλάβης εξοπλισμού αν δεν ακολουθηθούν οι οδηγίες.

ΣΗΜΕΙΩΣΗ

Βοηθητική πληροφορία για σωστή λειτουργία και χρήση.

ΤΕΧΝΙΚΑ ΧΑΡΑΚΤΗΡΙΣΤΙΚΑ

Μοντέλο	RB24EAP/RB24EA
Μέγεθος Κινητήρα(ml)	23,9
Μπουζί	NGK BMR7A
Καθαρό βάρος (kg)	3,9
Χωρητικότητα δεξαμενής καυσίμου (l)	0,52
Επίπεδο ηχητικής πίεσης LpA (dB(A)) κατά ISO22868	By ANSI 69*2 By CEN 87*1
Αβεβαιότητα (dB(A))	1,8*1
Επίπεδο ηχητικής ισχύος Lw μετρημένο (dB(A)) κατά ISO22868	107*1
Μέγιστη ηχητική ισχύ LWA (dB(A)) κατά 2000/14/EC	109*1
Επίπεδο δόνησης (m/s ²) κατά ISO22867	12
Αβεβαιότητα (m/s ²)	1,0

*1: Τα ισοδύναμα επίπεδα θορύβου/δόνησης είναι υπολογισμένα ως η σταθμισμένη στο χρόνο συνολική ενέργεια για τα επίπεδα θορύβου/δόνησης υπό διαφορετικές συνθήκες εργασίας με την ακόλουθη κατανομή του χρόνου: 1/7 ρελαντί, 6/7 επιτάχυνση.

*2: ANSI B175.2

* Όλα τα δεδομένα μπορούν να τροποποιηθούν χωρίς προειδοποίηση.

ΔΙΑΔΙΚΑΣΙΕΣ ΣΥΝΑΡΜΟΛΟΓΗΣΗΣ

Σωλήνας κρούς στο κυρίως τμήμα (Εικ. 1)

Ελέγξτε τη βασιική συσκευή και τον εξοπλισμό.

Συνδέστε τον ευθύ σωλήνα (1) με ασφάλεια. Ευθυγραμμίστε το στόμιο (2) στον ευθύ σωλήνα με την εσοχή (3) στο περίβλημα του φυσητήρα και εφαρμόστε το σωλήνα στο περίβλημα του φυσητήρα.

Περιστρέψτε τον σωλήνα κατά τη φορά του ρολογιού για να το ασφαλίσετε σε εκείνο το σημείο.

Κωνικός σωλήνας στον ευθύ σωλήνα (Εικ. 2)

- Ευθυγραμμίστε την εσοχή (5) στον κωνικό σωλήνα (6) και το στόμιο (4) στον ευθύ σωλήνα (1) και περιστρέψτε τον κωνικό σωλήνα στο σημείο εκείνο.

ΔΙΑΔΙΚΑΣΙΑ ΛΕΙΤΟΥΡΓΙΑΣ

Καύσιμο (Εικ. 3)

⚠️ ΠΡΟΕΙΔΟΠΟΙΗΣΗ

- Το εργαλείο/μηχάνημα διαθέτει μια δίχρονη μηχανή. Πάντοτε να λειτουργείτε τον κινητήρα με καύσιμο που είναι αναμιγμένο με λάδι.
Na παρέχετε επαρκή αερισμό, κατά την παροχή καυσίμου ή το χειρισμό καυσίμου.
- Το καύσιμο είναι ιδιαίτερα εύφλεκτο και είναι πιθανό να τραυματίσετε σοβαρά εάν το εισπνέετε ή το περιχύνετε στο σώμα σας. Na είστε πάντα προσεκτικοί όταν χειρίζεστε τα καύσιμα. Na υπάρχει πάντα καλός εξαερισμός όταν χειρίζεστε το καύσιμο μέσα σε κάποιο κτίριο.

Καύσιμο

- Πάντοτε να χρησιμοποιείτε επώνυμη αμόλυβδη βενζίνη 89 οκτανίων.
- Χρησιμοποιείτε αυθεντικό δίχρονο λάδι ή ένα μίγμα μεταξύ 25:1 έως 50:1, παρακαλούμε να συμβουλευτείτε τη φιάλη λαδιού ή τον εμπορικό αντιπρόσωπο της Hitachi για την αναλογία.
- Εάν δεν είναι διαθέσιμο το αυθεντικό λάδι, χρησιμοποιείτε ένα λάδι ποιότητας αντι-οξειδωτικού προσθέτου με ρητή επισήμανση χρήσης για αερόφυκτους δίχρονους κινητήρες (JASO FC GRADE OIL ή ISO EGC GRADE). Μην χρησιμοποιείτε BIA ή TCW (για υδρόφυκτους δίχρονους κινητήρες) ανάμικτο λάδι.
- Ποτέ να μην χρησιμοποιείτε για την τετράχρονη μηχανή πετρέλαιο ή χρησιμοποιημένο ορυκτέλαιο.
- Πάντοτε να αναμιγνύετε το καύσιμο και το λάδι σε ένα ξεχωριστό καθαρό δοχείο.

Πάντα να ξεκινάτε γεμίζοντας τη μισή ποσότητα καυσίμου, από αυτό που θα χρησιμοποιηθεί. Έπειτα προσθέστε όλη τη ποσότητα του λαδιού. Αναμίξτε (ανακινήστε) το μίγμα καυσίμου. Προσθέστε την υπόλοιπη ποσότητα λαδιού.

Αναμίξτε (ανακινήστε) το μίγμα καυσίμου πριν το βάλετε στη δεξαμενή καυσίμου.

Παροχή καυσίμου

⚠️ ΠΡΟΕΙΔΟΠΟΙΗΣΗ

- Na σβήνετε πάντα τη μηχανή και να την αφήνετε να κρυώσει για λίγα λεπτά προτού την ανεφοδιάσετε με καύσιμα.
- Ανοίξτε αργά τη δεξαμενή καυσίμου, όταν την ανεφοδιάζετε με καύσιμο, έτσι ώστε να εξαφανιστεί μια πιθανή υπερπίεση.
- Μετά τον ανεφοδιασμό σφίξτε προσεκτικά το καπάκι καυσίμου.
- Πάντα να μετακινείτε τη συσκευή 3 μ από την περιοχή ανεφοδιασμού πριν να τη θέσετε σε λειτουργία.
- Na μην κανιζέτε και/ή μην επιτρέψετε την ύπαρξη φλογών ή σπινθηρών κατά το χειρισμό ή τον εφοδιασμό με καύσιμο.
- Na πλένετε πάντα το σημείο του ρούχου σας όπου υπάρχουν κηλίδες καυσίμου άμεσα με σαπούνι.
- Βεβαιωθείτε ότι έχετε τσεκάρει για οποιαδήποτε διαρροή καυσίμου μετά τον ανεφοδιασμό.

Πριν τον ανεφοδιασμό, καθαρίστε καλά το καπάκι της δεξαμενής για να εξασφαλίσετε ότι δεν θα πέσουν βρωμίες στη δεξαμενή. Εξασφαλίστε ότι το καύσιμο είναι καλά αναμιγμένο, κουνώντας το δοχείο, πριν την παροχή καυσίμου.

Ξεκινώντας

ΠΡΟΕΙΔΟΠΟΙΗΣΗ

- Μην ξεκινάτε εάν ο σωλήνας και το δίκτυ ασφαλείας είναι φραγμένα.
- Ελέγξτε το διακόπτη (7) στην θέση ΕΝΕΡΓΟ. (Εικ. 4)
* Σπρώξτε το βολβό αρχικής πλήρωσης καυσίμου (8) μερικές φορές έτσι ώστε το καύσιμο να εισρεύσει μέσα στο βολβό ή στον αγωγό επιστροφής. (9) (Εικ. 5)
 - Ρυθμίστε τον μοχλό του τσοκ στη θέση CLOSED. (Εικ. 6)
 - Τραβήξτε απότομα τον εκκινητήρα ανατύλιξης, προσέχοντας να κρατήσετε το χερούλι και να μην το αφήσετε να γυρίσει πίσω. (Εικ. 7)
 - Όταν ακούσετε το κινητήρα να προσπαθεί να ξεκινήσει, επιστρέψτε το μοχλό του τσοκ στη θέση RUN (ανοικτό). Μετά τραβήξτε τον εκκινητήρα ανατύλιξης ξανά απότομα.

⚠️ ΠΡΟΕΙΔΟΠΟΙΗΣΗ

- Ποτέ να μην ξεκινήσετε ή να λειτουργήσετε τον κινητήρα μέσα σε ένα κλειστό δωμάτιο ή κτίριο και/ή κοντά σε ένα εύφλεκτο υγρό. Η εισπνοή των καυσαερίων της εξάτμισης μπορεί να επιφέρει το θάνατο.
- Μην αφήσετε το σκόνι να τραβηχτεί απότομα πίσω και πάντοτε να κρατάτε καλά την συσκευή.

ΣΗΜΕΙΩΣΗ

- Αν ο κινητήρας δεν ξεκινά, επαναλάβετε τα βήματα από το 2 έως το 4.
- Μετά την εκκίνηση του κινητήρα, αφήστε τον κινητήρα να ζεσταθεί για 2-3 λεπτά πριν τον υποβάλλετε στο οποιοδήποτε φορτίο.
* Εάν η μηχανή σταματήσει και είναι δύσκολο να την ξαναψάσετε αμέσως, αφήστε την να κρυώσει προτού ξαναπροσπαθήσετε.

Λειτουργία του φυσητήρα (Εικ. 8)

- Μια χαμηλή ταχύτητα θα πρέπει να χρησιμοποιείται για το φύσημα φύλλων και ξηρών χόρτων.
- Μια νδιάφομη ταχύτητα θα πρέπει να χρησιμοποιείται για τον καθαρισμό υγρών φύλλων και χόρτων.
- Μια υψηλή ταχύτητα θα πρέπει να χρησιμοποιείται κατά την μετακίνηση χαλικιού, βρωμιάς και άλλων βαριών υλικών.

⚠️ ΠΡΟΕΙΔΟΠΟΙΗΣΗ

- Μην κατευθύνετε την ροή του αέρα κατευθινώντας πάνω σε πρόσωπα ή κατοικίδια ζώα.
- Η συσκευή θα πρέπει να λειτουργεί σε ένα παρκάρι αριζόμενο χώρο.
- Ποτέ να μην εκτελέσετε τις διαδικασίες συναρμολόγησης ή αποσυναρμολόγησης με τον κινητήρα σε λειτουργία διαφορετικά μπορεί να προκληθεί σοβαρός προσωπικός τραυματισμός.
- Ποτέ να μην αγγίξετε τον σιγαστήρα, το μπουζί ή άλλα μεταλλικά μέρη όταν λειτουργεί ο κινητήρας ή αμέσως μετά από κλείσιμο του κινητήρα.

ΠΡΟΣΟΧΗ

Αυτός ο φυσητήρας έχει σχεδιαστεί και ρυθμιστεί για χρήση μ'όλους τους σωλήνες κροής συνδεδεμένους. Το εργαλείο δε θα πρέπει ποτέ να λειτουργεί χωρίς τον ευθύ και τον κωνικό σωλήνα.

Σταμάτημα (Εικ. 9)

Ελαττώστε την ταχύτητα του κινητήρα και λειτουργήστε στο ρελατί για μερικά λεπτά, έπειτα κλείστε το διακόπτη ανάφλεξης.

ΣΥΝΤΗΡΗΣΗ

Η ΣΥΝΤΗΡΗΣΗ, ΑΝΤΙΚΑΤΑΣΤΑΣΗ Η Η ΕΠΙΣΚΕΥΗ ΤΩΝ ΣΥΣΚΕΥΩΝ ΕΛΕΓΧΟΥ ΤΩΝ ΚΑΥΣΑΕΡΙΩΝ ΚΑΙ ΤΟΥ ΣΥΣΤΗΜΑΤΟΣ ΜΠΟΡΟΥΝ ΝΑ ΓΙΝΟΥΝ ΑΠΟ ΕΝΑ ΣΥΝΕΡΓΕΙΟ ΕΙΔΙΚΟ ΣΕ ΕΚΤΟΣ ΔΡΟΜΟΥ ΚΙΝΗΤΗΡΕΣ Η ΑΠΟ ΕΝΑΝ ΤΕΧΝΙΚΟ.

Ρύθμιση του καρμπυρατέρ (Εικ. 10)

Στο καρμπυρατέρ, το καύσιμο ανακατεύεται με αέρα. Κατά την δοκιμή του κινητήρα στο εργοστάσιο, το καρμπυρατέρ είναι ρυθμισμένο. Μια πρόσθετη ρύθμιση μπορεί να απαιτηθεί, σύμφωνα με το κλίμα και το υψόμετρο. Το καρμπυρατέρ έχει μια δυνατότητα ρύθμισης.

T = Βίδα ρύθμισης ταχύτητας ρελαντί.

Ρύθμιση ταχύτητας ρελαντί (T)

Ελέγξτε εάν το φίλτρο εξερισμού είναι καθαρό. Εάν χρειάζεται κάποια προσαρμογή, κλείστε τη Βίδα Προσαρμογής ρελαντί (T) (κατά τη φορά του ρολογιού) για να αυξήσετε την ταχύτητα της μηχανής, και ανοίξτε την (αντίστροφα προς τη φορά του ρολογιού) για να μειώσετε την ταχύτητα της μηχανής. Το σταθερό ρελαντί rpm είναι 2800-3200 στρ. ανά λεπτό.

ΣΥΣΤΑΣΗ

Η ΡΥΘΜΙΣΗ ΤΟΥ ΚΑΡΜΠΙΡ ΑΤΕΡΑΠΙΛΕΙ ΤΗΝ ΔΕΞΙΟΤΗΤΑ ΕΝΟΣ ΕΜΠΕΙΡΟΥ Ή ΚΑΛΑ ΕΚΠΑΙΔΕΥΜΕΝΟΥ ΑΤΟΜΟΥ, ΣΥΝΙΣΤΑΤΑΙ Η ΜΕΤΑΦΟΡΑ ΤΗΣ ΣΥΣΚΕΥΗΣ ΣΤΟΝ ΕΜΠΟΡΙΚΟ ΑΝΤΙΠΡΟΣΩΠΟ ΤΗΣ HITACHI.

Φίλτρο αέρα (Εικ. 11)

Το φίλτρο αέρα πρέπει να είναι καθαρό από σκόνη και βρωμιά για την αποφυγή:

- Δυσλειτουργίας καρμπυρατέρ
- Προβλημάτων εκκίνησης
- Μείωσης δύναμης του κινητήρα
- Περιττής φθοράς των μερών του κινητήρα
- Μη κανονικής κατανάλωσης καυσίμου

Αφαιρέστε το κάλυμμα του φίλτρου αέρα πιέζοντας και τραβώντας προς τα πίσω το γιλιττίδα στην κορυφή. Καθαρίζετε το φίλτρο αέρα καθημερινά ή συχνότερα όταν εργάζεστε σε περιοχές με υπερβολική σκόνη.

Καθαρισμός του φίλτρου αέρα

Ανοίξτε το κάλυμμα του φίλτρου αέρα και το φίλτρο. Ξεπλένετε με ζεστό σαπουνόνερο. Ελέγξτε ότι το φίλτρο είναι καθαρό πριν την επανασυναρμολόγηση. Ένα φίλτρο αέρα που έχει χρησιμοποιηθεί για κάποιο διάστημα, δεν μπορεί να καθαριστεί πλήρως. Επομένως, πρέπει να αντικαθίσταται τακτικά με ένα νέο. Ένα καταστραμμένο φίλτρο πρέπει να αντικαθίσταται.

Φίλτρο καυσίμου (Εικ. 12)

Ανοίξτε όλο το καύσιμο από τη δεξαμενή καυσίμου και αφαιρέστε το φίλτρο καυσίμου από τη δεξαμενή. Τραβήξτε τα στοιχεία του φίλτρου έξω από το στήριγμα και ξεπλύνετε το φίλτρο με ζεστό νερό και απορρυπαντικό. Ξεπλύνετε καλά μέχρι να ξεγαλθεί όλο το απορρυπαντικό. Πίεστε, μην στύψετε, το παραπάνω νερό και αφήστε το φίλτρο να στεγνώσει με τον αέρα.

ΣΗΜΕΙΩΣΗ

Εάν το φίλτρο είναι σκληρό εξαιτίας υπερβολικής βρωμιάς, αντικαταστήστε το.

Μπουζί (Εικ. 13)

Η κατάσταση του μπουζί επηρεάζεται από:

- Λανθασμένη ρύθμιση του καρμπυρατέρ
- Λανθασμένο μίγμα καυσίμου (παραπάνω από την κανονική ποσότητα λαδιού στη βενζίνη)
- Βρώμικο φίλτρο αέρα
- Δύσκολες συνθήκες λειτουργίας (όπως ψυχρός καιρός)

Αυτοί οι παράγοντες δημιουργούν επικαθήσεις στα ηλεκτρόδια του μπουζί και μπορεί να προκαλέσουν δυσλειτουργία και δυσκολίες εκκίνησης. Αν ο κινητήρας έχει μικρή ισχύ, δυσκολεύεται να ξεκινήσει ή δεν λειτουργεί σωστά στην ταχύτητα του ρελαντί, πάντοτε ελέγχετε πρώτα το μπουζί. Αν το μπουζί είναι βρώμικο, καθαρίστε το και ελέγξτε το κενό των ηλεκτροδίων. Επαναρυθμίστε εάν είναι απαραίτητο. Το σωστό κενό είναι 0,6 χιλ. Το μπουζί πρέπει να αντικατασταθεί μετά από περίπου 100 ώρες λειτουργίας ή νωρίτερα εάν τα ηλεκτρόδια είναι πολύ φθαρμένα.

ΣΗΜΕΙΩΣΗ

Σε ορισμένες περιοχές οι τοπικές διατάξεις απαιτούν τη χρήση ενός μπουζί αντίστασης για την καταστολή των σημάτων ανάφλεξης. Αν αυτό το μηχανήμα ήταν αρχικά εφοδιασμένο με μπουζί αντίστασης, χρησιμοποιείστε τον ίδιο τύπο μπουζί κατά την αντικατάσταση.

Πρόγραμμα συντήρησης

Παρακάτω θα βρείτε ορισμένες γενικές οδηγίες συντήρησης. Για περισσότερες πληροφορίες απευθυνθείτε σε έναν εμπορικό αντιπρόσωπο της Hitachi.

Ημερήσια συντήρηση

- Καθαρίστε το εξωτερικό της συσκευής.
- Ελέγξτε το κάλυμμα σκόνης για ζημιά ή ραγίσματα. Αντικαταστήστε το κάλυμμα στην περίπτωση που συμβούν χτυπήματα ή ραγίσματα.
- Ελέγξτε ότι τα παξιμάδια και οι βίδες είναι επαρκώς σφιγμένα.

Εβδομαδιαία συντήρηση

- Ελέγξτε τον εκκινητήρα, ειδικά το σκονί.
- Καθαρίστε το εξωτερικό μπουζί.
- Αφαιρέστε το μπουζί και ελέγξτε το κενό του ηλεκτροδίου. Ρυθμίστε το στα 0,6 χιλ ή αλλάξτε το μπουζί.
- Καθαρισμός του φίλτρου αέρα.

Μηνιαία συντήρηση

- Ξεπλύντε τη δεξαμενή καυσίμου με βενζίνη και καθαρίστε το φίλτρο καυσίμου.
- Καθαρίστε το εξωτερικό του καρμπυρατέρ και το χώρο γύρω από αυτό.

Τριμηνιαία συντήρηση

- Να καθαρίζετε τα πτερώγια ψύξης στον κύλινδρο.
- Καθαρίστε τον ανεμιστήρα και το χώρο γύρω από αυτό.
- Καθαρίστε το σιγαστήρα από τη μούτζουρα.

ΠΡΟΕΙΔΟΠΟΙΗΣΗ

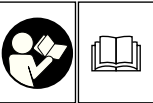


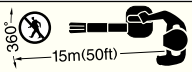



Το καθαρίσμα των πτερυγίων, του ανεμιστήρα και του σιγαστήρα θα πρέπει να αναλαμβάνει ένα Εξουσιοδοτημένο Κέντρο Υπηρεσιών της Hitachi.

ΣΗΜΕΙΩΣΗ

Όταν παραγγέλλετε τα εξαρτήματα στον πλησιέστερο εμπορικό αντιπρόσωπό σας, παρακαλούμε χρησιμοποιήστε τον Αρ. στοιχείου που βρίσκεται στην ενότητα των βλαβών των εξαρτημάτων σε αυτές τις οδηγίες.

(Tłumaczenie oryginalnych instrukcji)

ZNACZENIE SYMBOLI**UWAGA:** Niektóre urządzenia ich nie mają.

	<p>Symbol</p> <p>⚠ OSTRZEŻENIE</p> <p>Następujące oznaczenia to symbole używane w instrukcji obsługi maszyny. Upewnij się, że rozumiesz ich znaczenie zanim użyjesz narzędzia.</p>		
	<p>Istotne jest przeczytanie, pełne zrozumienie i przestrzeganie poniższych środków bezpieczeństwa i ostrzeżeń. Nieostrożne lub niewłaściwe używanie urządzenia może spowodować poważne obrażenia lub śmierć.</p>		<p>OSTRZEŻENIE ⚠</p> <p>NIEBEZPIECZEŃSTWO</p> <p>Goście powierzchnie; Tłumik i znajdująca się przy nim pokrywa mogą nagrzewać się do wysokiej temperatury.</p> <p>Obszar wydechowy i tłumika nie może być zasłonięty, gdyż w przeciwnym wypadku mogą nastąpić poważne obrażenia personelu.</p>
	<p>Przeczytać, zrozumieć i przestrzegać wszystkich ostrzeżeń oraz instrukcji zawartych w tym podręczniku i umieszczonych na urządzeniu.</p>		<p> Dzieci, obserwatorzy i wszelkiego rodzaju osoby postronne powinny pozostawać w odległości co najmniej 15 m od urządzenia. Jeżeli ktokolwiek się zbliży, należy natychmiast wyłączyć silnik.</p>
	<p>Podczas używania urządzenia zawsze stosować ochronę oczu, głowy i słuchu.</p>		<p>Nosić solidne obuwie antypoślizgowe.</p>
	<p>OSTRZEŻENIE ⚠</p> <p>NIEBEZPIECZEŃSTWO</p> <p>Nie należy dotykać rękoma obracającego się wentylatora.</p>		

Spis treści

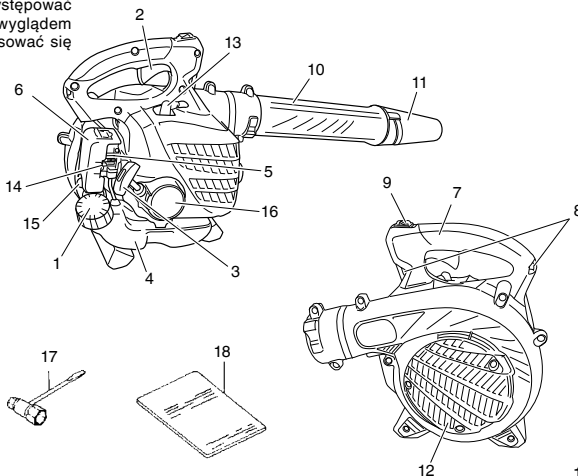
ZASADNICZE PODZESPOŁY URZĄDZENIA.....	17
OSTRZEŻENIE I INSTRUKCJE BEZPIECZEŃSTWA.....	18
SPECYFIKACJE.....	19

PROCEDURY MONTAŻU.....	19
PROCEDURY OBSŁUGI.....	20
KONSERWACJA.....	20

ZASADNICZE PODZESPOŁY URZĄDZENIA

Niniejsza instrukcja dotyczy kilku modeli, mogą więc występować pewne różnice pomiędzy ilustracjami, a rzeczywistym wyglądem urządzenia posiadanego przez użytkownika. Należy stosować się do zaleceń dotyczących posiadanego urządzenia.

1. Korek wlewu paliwa
2. Dźwignia sterowania przepustnicą
3. Uchwyt rozrusznika
4. Zbiornik paliwa
5. Gaźnik
6. Filtr powietrza
7. Uchwyt
8. Oczko zawieszania
9. Wylącznik zapłonu
10. Rura prosta (walcowa)
11. Rura stożkowa
12. Siatka ochronna
13. Świeca zapłonowa
14. Zaczep przewodu
15. Uchwyt przepustnicy
16. Rozrusznik mechaniczny
17. Grzebień - pułdo klucz do nakrętek
18. Instrukcja obsługi



OSTRZEŻENIE I INSTRUKCJE BEZPIECZEŃSTWA

Bezpieczeństwo operatora

- Maska filtra przeciwpyłowego powinna być używana w trakcie użytkowania sprzętu.
- Należy zawsze nosić osłonę twarzy lub gogle.
- Należy zawsze nosić ciężkie, długie spodnie, wysokie buty oraz rękawice. Nie wolno nosić luźnej odzieży, biżuterii, krótkich spodni, sandałów lub chodzić bosą. Zabezpieczyć włosy tak, aby nie spadały na ramiona.
- Nie wolno używać urządzenia, gdy jest się zmęczonym, chorym lub pod wpływem alkoholu, narkotyków lub leków.
- Nigdy nie wolno zezwalać na obsługę maszyny przez dziecko lub osobę niedoświadczoną.
- Stosować ochronę narządu słuchu. Zwracać baczną uwagę na otoczenie. Uważać na osoby znajdujące się w pobliżu, które mogą sygnalizować problemy. Działaj zabezpieczenia ochronne natychmiast po wyłączeniu silnika.
- Należy nosić osłonę głowy.
- Nigdy nie uruchamiać lub pracować silnikiem wewnątrz zamkniętego pomieszczenia lub budynku. Wdychanie spalin może być śmiertelne.
- Nie zanieczyszczać rąk olejem lub paliwem.
- Nie należy dotykać rękoma części ruchomych oraz nagrzewających się miejsc.
- Nie wolno chwycić lub trzymać za rurę wydmuchującą.
- Gdy urządzenie jest wyłączone należy upewnić się przed postawieniem urządzenia, czy silnik zatrzymał się.
- Podczas długotrwałej pracy robić przerwy od czasu do czasu, aby uniknąć objawów zespołu Reynauda (niedokrwienie palców rąk) powodowanego przez drgania.

⚠️ OSTRZEŻENIE

- Systemy zapobiegające drganiom nie ochronią przed zespołem Reynauda (niedokrwieniem palców rąk), ani przed objawami zespołu cieśni nadgarstka. Dlatego w przypadku ciągłego i regularnego używania urządzenia należy dokładnie sprawdzać stan rąk i palców. W razie wystąpienia powyższych symptomów, należy zwrócić się natychmiast do lekarza po pomoc.
- Jeśli używa się elektrycznych/elektronicznych urządzeń medycznych, takich jak rozrusznik serca, skonsultować się z lekarzem i producentem urządzenia przed używaniem urządzenia z napędem.

Bezpieczeństwo urządzenia / maszyny

- Przed każdym użyciem skontrolować całe urządzenie / maszynę. Wymienić uszkodzone części. Sprawdzić, czy nie ma wycieków paliwa i upewnić się, czy wszystkie łączniki są zamontowane i dobrze dokręcone.
- Przed użyciem urządzenia / maszyny wymienić części pęknięte lub uszkodzone w inny sposób.
- Upewnić się, że osłona ochronna jest założona prawidłowo.
- Nie dopuszczać w pobliże innych osób podczas regulacji gaźnika.
- Używać wyłącznie akcesoriów zalecanych przez producenta do tego rodzaju maszyny / urządzenia.

⚠️ OSTRZEŻENIE

- Nigdy nie przerabiać urządzenia / maszyny w jakikolwiek sposób. Urządzenia / maszyny nie wolno używać do prac innych, niż zgodnych z przeznaczeniem.

Bezpieczeństwo związane z paliwem

- Paliwo zawiera składniki bardzo palne i możliwe są poważne obrażenia ciała na skutek wdychania lub rozlania się na ciało. Uważać zawsze podczas obsługi paliwa. Zapewnić zawsze dobrą wentylację, gdy obsługuje się paliwo wewnątrz budynku.
- Paliwo mieszać i tankować na zewnątrz w miejscu, w którym nie występują iskry lub płomienie.
- Używać wyłącznie atestowanych pojemników na paliwo.

- Nie palić tytoniu, ani nie zezwalać na palenie w pobliżu paliwa lub urządzenia / maszyny lub podczas używania urządzenia / maszyny.
- Przed uruchomieniem silnika wytrzeć rozlane paliwo.
- Przed uruchomieniem silnika odsunąć się co najmniej na 3 m od miejsca tankowania.
- Zatrzymać silnik przed zdjęciem korka paliwa.
- Opróżnić zbiornik paliwa przed składowaniem urządzenia / maszyny. Zaleca się opróżnienie zbiornika paliwa po każdym używaniu urządzenia. Jeśli paliwo pozostaje w zbiorniku, przechowywać urządzenie w taki sposób, aby paliwo nie wyciekło.
- Urządzenie / maszynę i paliwo przechowywać w takich miejscach, w których opary paliwa nie dochodzą do iskier i otwartych płomieni grzejników wody, silników elektrycznych lub wyciążników, pieców itd.

⚠️ OSTRZEŻENIE

Paliwo łatwo się zapala lub wybuchą bądź łatwo wycieka się jego opary, dlatego należy zwrócić szczególną uwagę podczas obsługi paliwa lub tankowania.

Środki ostrożności podczas używania dmuchawy

- Z urządzenia/maszyny należy korzystać jedynie w rozsądnych godzinach – nie wcześniej rano lub późno wieczorem, kiedy może przeszkadzać innym osobom. Należy przestrzegać godzin ustalonych odrębnymi przepisami lokalnymi. Zalecane godziny pracy to 9:00 do 17:00 –od poniedziałku do soboty.
- Nie wolno bezpośrednio kierować strumienia spuszczonego powietrza w stronę osób znajdujących się w pobliżu. Zabronione jest także przebywanie osób postronnych w pobliżu terenu, na którym wykonywane są prace. Podczas spuszczenia powietrza należy zachować ostrożność, aby nie wykonywać tego bezpośrednio w kierunku oszklonych zabudowań, samochodów, itp.
- Podczas użytkowania sprzętu należy zwracać uwagę na nierówne chodniki, dołki w ziemi lub inne niestabilne podłoża.
- Należy zachować wszelkie środki ostrożności, gdy urządzenie pozostawiane jest bez opieki, np. poprzez wyłączenie silnika.
- Nie wolno użytkować sprzętu bez zamocowanych osłon, rur wydmuchujących lub innych urządzeń zabezpieczających, (jeżeli są na wyposażeniu).
- Nie dopuszczać innych osób, dzieci i zwierząt oraz pomocników do strefy niebezpiecznej w promieniu 15 m. Zatrzymać silnik natychmiast, gdy zbliżają się inne osoby.
- Silnik powinien znajdować się zawsze z prawej strony tułowia użytkownika.
- Stać równo na podłożu i zachowywać równowagę. Nie przechylać się.
- Części ciała powinny znajdować się z dala od tłumika.
- Podczas obsługi wyposażenia z napędem należy zawsze nosić apteckie pierwsze pomocy.
- Nigdy nie uruchamiać lub zezwalać na pracę silnika wewnątrz zamkniętego pomieszczenia lub budynku i/lub w pobliżu palnych cieczy. Wdychanie spalin może być śmiertelne.

Bezpieczeństwo związane z konserwacją

- Konserwację urządzenia / maszyny należy wykonywać zgodnie z zalecanymi procedurami.
- Odłączyć świecę zapłonową przed wykonaniem konserwacji z wyjątkiem regulacji gaźnika.
- Nie dopuszczać w pobliże innych osób podczas regulacji gaźnika.
- Używać wyłącznie oryginalnych części zamiennych firmy Hitachi, zalecanych przez producenta.

OSTROŻNIE

Nie demontować rozrusznika zamachowego. Można narazić się na obrażenia spowodowane sprężyną zamachową.

Transport i magazynowanie

- Urządzenie / maszynę należy przenosić ręcznie po wyłączeniu silnika z tłumikiem odwróconym od ciała.
- Odczekać, aż silnik ostygnie, opróżnić zbiornik paliwa i zabezpieczyć urządzenie / maszynę przed odłożeniem do magazynu lub transportem w pojeździe.

- Opróżnić zbiornik paliwa przed składowaniem urządzenia / maszyny. Zaleca się opróżnienie zbiornika paliwa po każdym używaniu urządzenia. Jeśli paliwo pozostaje w zbiorniku, przechowywać urządzenie w taki sposób, aby paliwo nie wyciekło.
- Przechowywać maszynę poza zasięgiem dzieci.
- Dokładnie oczyścić i zakonserwować urządzenie, po czym przechowywać je w suchym miejscu.
- Podczas transportu lub magazynowania upewnić się, że wyłącznik maszyny jest wyłączony.

W sytuacjach nieopisanych w niniejszym podręczniku zachować ostrożność i kierować się zdrowym rozsądkiem. W razie potrzeby pomocy, skontaktować się z dystrybutorem firmy Hitachi. Zwracać szczególną uwagę na zapisy poprzedzone następującymi słowami:

⚠️ OSTRZEŻENIE

Wskazuje na duże prawdopodobieństwo poważnych obrażeń ciała lub utraty życia w przypadku nieprzestrzegania instrukcji.

OSTROŻNIE

Wskazuje na możliwość obrażeń ciała lub uszkodzenie wyposażenia w przypadku nieprzestrzegania instrukcji.

UWAGA

Zawiera pomocne informacje dla poprawnego funkcjonowania i użytkowania.

SPECYFIKACJE

Model	RB24EAP/RB24EA
Parametry silnika (ml)	23,9
Świeca zapłonowa	NGK BMR7A
Ciężar na sucho (kg)	3,9
Pojemność zbiornika paliwa (l)	0,52
Poziom ciśnienia dźwięku LpA (dB(A)) wg ISO22868	By ANSI 69*2 By CEN 87*1
Odchylenie (dB(A))	1,8*1
Poziom mocy dźwięku pomierzony Lw (dB(A)) wg ISO22868	107*1
Poziommocydźwięku LwA (db(A)) wg 2000/14/EC	109*1
Poziom drgań (m/s ²) wg ISO22867	12
Odchylenie (m/s ²)	1,0

*1: Równoważny poziom hałasu/równoważne poziomy drgań obliczane są jako całkowita energia ważona czasowo dla poziomów hałasu/ drgań w różnych warunkach pracy przy następującym cyklu czasowym: 1/7 oczekiwanie, 6/7 praca.

*2: ANSI B175.2

* Wszystkie dane mogą zostać być zmienione bez uprzedzenia.

PROCEDURY MONTAŻU

Rury wdmuchujące podłączane do głównego korpusu (Rys. 1)
Należy przeprowadzić kontrolę głównego korpusu i dodatkowe wyposażenia. Podłączyć rurę prostą (1) i zamocować. Wyrównać występ (2) rury prostej z wyźłobieniem (3) w budowie dmuchawy i wsunąć rurę do obudowy dmuchawy.

Obrócić rurę w kierunku zgodnym z ruchem wskazówek zegara, aby ją zablokować.

Rura stożkowa do rury prostej (Rys. 2)

- Wyrównać wyźłobienie (5) rury stożkowej (6) i występ (4) rury prostej (1), a następnie obrócić, aby zamocować rurę stożkową.

PROCEDURY OBSŁUGI

Paliwo (Fig. 3)

⚠️ OSTRZEŻENIE

- Urządzenie/maszyna wyposażone jest w silnik dwusuwowy. Silnik musi zawsze pracować z paliwem z dodatkiem oleju. Podczas tankowania lub przenoszenia paliwa zapewnić dobrą wentylację.
- Paliwo zawiera składniki łatwopalne. Wdychanie lub rozlanie paliwa może spowodować odniesienie poważnych obrażeń. Podczas używania paliwa należy zawsze zachować szczególną ostrożność. W przypadku używania paliwa wewnątrz budynków należy zapewnić odpowiednią wentylację.

Paliwo

- Zawsze stosować markową bezołowiową benzynę o liczbie oktanowej 89.
- Stosować oryginalny olej do dwusuwów lub mieszanek w proporcji 25:1 do 50:1, stosunek podano na butelce z olejem lub skonsultować się z dystrybutorem firmy Hitachi.
- Jeśli oryginalny olej nie jest dostępny, użyć oleju dobrej jakości z dodatkiem przeciwutleniacza do silników dwusuwowych chłodzonych powietrzem (JASO FC GRADE OIL lub ISO EGC GRADE). Nie stosować oleju do mieszanek BIA lub TCW (do silników dwusuwowych z chłodzeniem wodą).
- Nie wolno używać olejów napędowych do silników czterosuwowych lub oleju odpadowego.
- Zawsze mieszać paliwo z olejem w oddzielnym czystym pojemniku.

Należy zawsze nalać najpierw jedynie połowę docelowej ilości paliwa. Następnie dolać olej. Dokładnie wymieszać (potrzebując mieszanek paliwa. Dodać pozostałą ilość benzyny.

Dokładnie wymieszać (potrzebując) mieszanek paliwowych przed wkladem do zbiornika paliwa.

Tankowanie

⚠️ OSTRZEŻENIE

- Przed tankowaniem należy zawsze wyłączyć silnik i odczekać kilka minut do jego schłodzenia.
- Podczas napełniania należy zawsze powoli otwierać zbiornik paliwa, aby usunąć ewentualne nadciśnienie.
- Po zatankowaniu dokładnie dokręcić korek paliwa.
- Oddalić urządzenie na co najmniej 3 metry od miejsca tankowania przed uruchomieniem go.
- Nie palić papierosów i nie zezwalać na wystąpienie płomieni lub iskiek podczas obsługi paliwa lub tankowania.
- W przypadku zabrudzenia odzieży, należy natychmiast zmyć z niej paliwo za pomocą wody z mydłem.
- Po zatankowaniu należy sprawdzić, czy nie ma żadnych wycieków paliwa.

Przed zatankowaniem, dokładnie oczyścić miejsce wokół korka zbiornika, aby do zbiornika nie dostały się żadne zanieczyszczenia. Przed tankowaniem upewnić się, że paliwo jest dobrze wymieszane i w tym celu potrząsnąć pojemnikiem.

Uruchomienie

OSTROŻNIE

Nie uruchamiać urządzenia, jeżeli rura i siatka ochronna są zatkane.

1. Ustawić przełącznik (7) w pozycji WŁ. (Rys. 4)
* Ścisnąć kilkakrotnie gruszkę zalewania (8) tak, aby paliwo przepłynęło przez rurkę powrotną (9) (Rys. 5)
2. Ustawić dźwignię ssania w pozycji ZAMKNIĘTEJ. (Rys. 6)
3. Pociągnąć szybko za linkę rozrusznika trzymając uchwyt w dłoni i nie pozwolić na powrót linki. (Rys. 7)
4. Gdy usłyszy się, że silnik zaskakuje, powrócić dźwignię ssania w położenie RUN [praca] (otwarte). Następnie ponownie pociągnąć szybko za linkę rozrusznika.

⚠️ OSTRZEŻENIE

- Nigdy nie uruchamiać lub zezwalać na pracę silnika wewnątrz zamkniętego pomieszczenia lub budynku i/lub w pobliżu palnych cieczy. Wdychanie gazów spalinowych może być śmiertelne.
- Nie pozwolić, aby linka odskoczyła i zawsze mocno trzymać urządzenie.

UWAGA

Jeśli silnik nie uruchomi się, powtórzyć kroki od 2 do 4.

5. Po uruchomieniu silnika pociągnąć spust przepustnicy, aby zwolnić blokadę. Następnie odczekać 2-3 minuty, aby silnik rozgrzał się przed obciążeniem go.
* Jeżeli silnik gaśnie, a jego natychmiastowe ponowne włączenie jest utrudnione, należy odczekać, aż ostygnie i spróbować ponownie.

Obsługa dmuchawy (Rys. 8)

- Niskie obroty powinny być używane do wydmuchiwania liści i suchej trawy.
- Średnie obroty powinny być używane do sprzątania mokrych liści i mokrej trawy.
- Wysokie obroty powinny być używane podczas usuwania żwiru. piachu lub innych ciężkich materiałów.

⚠️ OSTRZEŻENIE

- Nie wolno nakierowywać spuszczonego powietrza bezpośrednio w stronę ludzi i zwierząt.
- Urządzenie powinno być obsługiwane w dobrze wentylowanym miejscu.
- Nigdy nie wykonywać montażu lub demontażu przy pracującym silniku, gdyż mogą nastąpić poważne obrażenia ciała.
- Nigdy nie dotykać tłumika, świecy zapłonowej lub innych części metalowych podczas pracy silnika lub bezpośrednio po wyłączeniu silnika.

OSTROŻNIE

Dmuchawa ta została zaprojektowana i ustawiona w taki sposób, aby korzystać z niej z podłączeniem wszystkimi rurami wdmuchującymi. Zabronione jest użytkowanie sprzętu bez podłączonej rury prostej (walcowej) oraz rury stożkowej.

Zatrzymywanie (Rys. 9)

Zmniejszyć prędkość silnika i pracować na biegu jałowym przez kilka minut, po czym wyłączyć zapłon.

KONSERWACJA

KONSERWACJE, WYMIANE LUB NAPRAWĘ URZĄDZEŃ I UKŁADU KONTROLI EMISJI MOŻE WYKONAĆ ZAKŁAD NAPRAWY SILNIKÓW NIEDROGOWYCH LUB OSOBA INDYWIDUALNA.

Regulacja gaźnika (Rys. 10)

W gaźniku paliwo miesza się z powietrzem. Podczas próbnej pracy silnika w fabryce, wykonuje się regulację gaźnika. Dodatkowa regulacja może być wykonana w zależności od klimatu lub wysokości n.p.m. Gaźnik ma jedną możliwość regulacji:

T = śruba regulacji prędkości biegu jałowego.

Regulacja prędkości biegu jałowego (T)

Należy sprawdzać, czy filtr powietrza jest czysty. Jeżeli konieczna jest modyfikacja, należy dokręcić śrubę regulacji prędkości na BIEGU JAŁOWYM (T) (w kierunku zgodnym z ruchem wskazówek zegara), aby zwiększyć prędkość silnika lub odkręcić ją (w kierunku przeciwnym do ruchu wskazówek zegara), aby zmniejszyć prędkość silnika. Standardowa prędkość obrotowa na biegu jałowym wynosi 2800-3200 obr./min.

ZALECANIA

REGULACJA GAŹNIKA POWINNA BYĆ WYKONYWANA TYLKO PRZEZ WYKWALIFIKOWANE LUB ODPOWIEDNIO PRZESZKOLONE OSOBY, DLATEGO ZALECAN JEST PRZEKAZANIE URZĄDZENIA DO SPRZEDAWCY FIRMY HITACHI.

Filtr powietrza (Rys. 11)

Filtr powietrza należy oczyścić z pyłu i brudu, aby uniknąć:

- Wadliwego działania gaźnika
- Problemów z rozruchem
- Zmniejszenia mocy silnika
- Nadmiernego zużycia części silnika
- Nadmiernego zużycia paliwa

Usunąć obudowę filtra powietrza poprzez naciśnięcie i pociągnięcie wypustki znajdującej się u góry.

Filtr powietrza należy czyścić codziennie lub częściej, jeśli pracuje się w miejscach wyjątkowo zapylnych.

Czyszczenie filtra powietrza

Otworzyć pokrywkę filtra powietrza i filtr. Przemycić je w wodzie z mydłem. Przed ponownym montażem sprawdzić, czy filtr jest suchy. Filtru powietrza używanego przez dłuższy czas nie można dokładnie wycisnąć. Z tego względu należy okresowo wymieniać go na nowy filtr. Uszkodzony filtr należy wymienić natychmiast.

Filtr paliwa (Rys. 12)

Spuścić całość paliwa ze zbiornika i wyciągnąć linkę filtra paliwa. Wyjąć element filtra z obudowy i przepłukać w ciepłej wodzie ze środkiem czyszczącym.

Dokładnie wypłukać, aby usunąć wszystkie pozostałości środka czyszczącego. Delikatnie wycisnąć pozostałości wody, nie wyciskając, a następnie wysuszyć element filtra na powietrzu.

UWAGA

Jeżeli element filtra jest twardy z powodu nadmiernego nagromadzenia zabrudzeń, należy wymienić go na nowy.

Świeca zapłonowa (Rys. 13)

Na stan świecy zapłonowej mają wpływ następujące czynniki:

- Nieprawidłowe ustawienie gaźnika
- Niewłaściwa mieszanka paliwowa (zbyt dużo oleju w benzynie)
- Zabrudzony filtr powietrza
- Trudne warunki pracy (jak niska temperatura otoczenia)

Czynnik te powodują osady na elektrodach świecy zapłonowej, co może spowodować wadliwe działanie i trudności z uruchomieniem silnika. Jeśli silnik nie rozwija pełnej mocy, trudno go uruchomić lub pracuje nierównomiernie na biegu jałowym, należy zawsze w pierwszej kolejności sprawdzić świecę zapłonową. Jeśli świeca zapłonowa jest zabrudzona, należy ją oczyścić i sprawdzić przerwę elektrody. W razie konieczności wyregulować ponownie. Prawidłowa przerwa wynosi 0,6 mm. Świeca zapłonowa powinna być wymieniana co 100 godzin pracy lub wcześniej, jeżeli elektrody noszą ślady poważnego nadzarcia.

UWAGA

W niektórych krajach przepisy wymagają użycia świecy zapłonowej z opornikiem do tłumienia zakłóceń. Jeśli maszyna została oryginalnie wyposażona w świecę zapłonową z opornikiem, należy wymienić ją na świecę tego samego typu.

Plan obsługi

Poniżej podano ogólne instrukcje konserwacji. W sprawie dalszych informacji prosimy skontaktować się z dystrybutorem firmy Hitachi.

Obsługa codzienna

- Oczyszczyć urządzenie z zewnątrz.
- Sprawdzić osłonę przeciwkurzową pod kątem uszkodzeń i pęknięć. W przypadku uszkodzeń lub pęknięć należy wymienić osłonę.
- Sprawdzić, czy nakrętki i śruby są dobrze dokręcone.

Obsługa tygodniowa

- Sprawdzić rozrusznik, w szczególności linkę.
- Oczyszczyć świecę zapłonową z zewnątrz.
- Wyjąć świecę zapłonową i sprawdzić przerwę elektrody. Przerwę należy wyregulować na 0,6 mm lub wymienić świecę zapłonową.
- Oczyszczyć filtr powietrza.

Obsługa miesięczna

- Przepłukać zbiornik paliwa benzyny i oczyścić filtr paliwa.
- Oczyszczyć z zewnątrz gaźnik i przestrzeń wokół niego.

Obsługa kwartalna

- Oczyszczyć żeberka chłodzące cylindra.
- Oczyszczyć wentylator i przestrzeń wokół niego.
- Oczyszczyć tłumik z osadów węglowych.

OSTROŻNIE


Czyszczenie żeber cylindra, wentylatora i tłumika powinno być wykonywane przez autoryzowany punkt serwisowy Hitachi.

UWAGA

Podczas zamawiania części u najbliższego sprzedawcy prosimy podać numer pozycji z rozdziału „Lista części” w niniejszej instrukcji.

A SZIMBÓLUMOK JELENTÉSE

MEGJEGYZÉS: Néhány egység nem rendelkezik velük.

	<p>Szimbólumok ⚠ FIGYELMEZTETÉS Az alábbiakban a géphez alkalmazott jelölések vannak felsorolva. A gép használata előtt feltétlenül ismerje meg ezeket a jelöléseket.</p>		
	<p>Fontos, hogy elolvassa, teljesen megértse és megfigyelje a következő elővigyázatosságokat és figyelmeztetéseket. A gondatlan vagy helytelen használat súlyos vagy halálos sérülést okozhat.</p>		<p>FIGYELMEZTETÉS ⚠ VESZÉLY Forró felületek: A kipufogódob és az azt körbevevő burkolat nagyon forró lehet. Tartsa tisztán a kipufogót és környékét, hogy megelőzze a súlyos sérüléseket.</p>
	<p>Olvasson el, értsen meg és kövessen minden a kézikönyvben és az egységen található figyelmeztetést és utasítást.</p>		<p>Gyermekek, járókelők ne tartózkodjanak az egységhez 15 m-nél közelebb. Ha bárki közelít, azonnal állítsa le a motort.</p>
	<p>Az egység használatakor mindig viseljen szem-, fej- és fülvédő eszközöket.</p>		<p>Viseljen csúszásmentes és masszív lábbelit.</p>
	<p>FIGYELMEZTETÉS ⚠ VESZÉLY Tartsa távol a kezzeit a forgó lapátoktól.</p>		

Tartalom

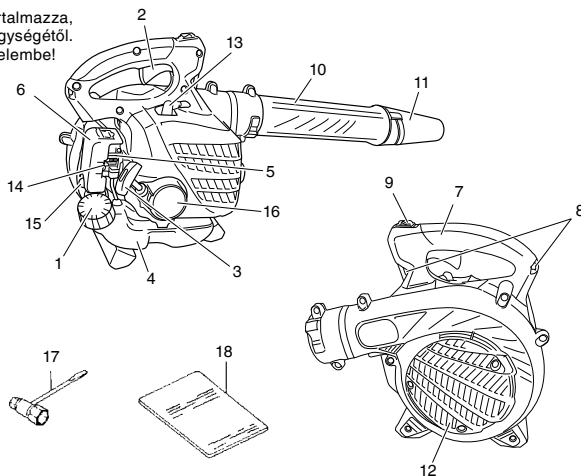
MI MICSODA22
 FIGYELMEZTETÉSEK ÉS BIZTONSÁGI ÓVINTÉZKEDÉSEK23
 MŰSZAKI ADATOK24

ÖSSZESZERELÉSI ELJÁRÁSOK24
 MŰKÖDTETÉSI ELJÁRÁSOK24
 KARBANTARTÁS25

MI MICSODA

Mivel a jelen kézikönyv számos modellnek a leírását tartalmazza, ezért a kézikönyvben ábrázolt képek eltérhetnek az Ön egységétől. Csak az Ön egységére vonatkozó utasításokat vegye figyelembe!

1. Tanksapka
2. Gázkar
3. Indító fogantyú
4. Üzemanyag tank
5. Porlasztó
6. Légszűrő
7. Fogantyú
8. Felfüggesztő szem
9. Gyújtáskapcsoló
10. Egyenes cső
11. Kúpos cső
12. Védőháló
13. Gyújtógyertya
14. Vezetékrögzítő
15. Gázadagoló markolat
16. Visszaugró indító
17. Combi-doboz feszítő
18. Kezelési utasítás



FIGYELMEZTETÉSEK ÉS BIZTONSÁGI ÖVINTÉZKEDÉSEK

Gépezelő biztonsága

- A gép használata közben porvédő maszk viselete kötelező.
- Mindig viseljen munkavédelmi maszkot vagy szemüveget.
- Mindig vastag hosszúnadrágot és bakancsot viseljen, valamint hordjon kesztyűt. Ne viseljen bő öltözképet, ékszert, rövidnadrágot, szandált, és ne legyen mezítáb. Biztosítsa, hogy hajhosszúsága nem haladja meg a vállig érot.
- Ne működtesse az eszközt akkor, amikor fáradt, beteg vagy alkohol, kábítószer vagy gyógyszer hatása alatt áll.
- Soha ne engedje, hogy gyermek vagy gyakorlatlan személy működtesse a gépet.
- Viseljen fűlvédőt. Legyen figyelemmel a környezetére. Figyelje, hogy a közelében tartózkodók jeleznek-e valamilyen problémát. Azonnal távolítsa el a biztonsági felszereléseket a motor leállítás után.
- Viseljen védősisakot.
- Soha ne indítsa be vagy működtesse a motort zár helyiségben vagy épületben. A kibocsátott füst belélegzése halált okozhat.
- Az olajat és üzemanyagot tartsa távol a fogantyúktól.
- Tartsa távol a kezeit a mozgó alkatrészektől és a felforrósodó területektől.
- Ne fogja meg és ne tartsa a gépet a fűvécsonél.
- A gép leállítása után a letételőt győződjön meg arról, hogy a motor leállt.
- Hosszabb ideig tartó működtetés esetén rendszeresen tartson szünetet annak érdekében, hogy megelőzze a lehetséges Kéz és Kar Vibrációs Szindrómát (HAVS), melyet a rezgés okozhat.

⚠ VIGYÁZAT

- Az antivibrációs rendszerek nem garantálják, hogy Önnél nem alakulhat ki Kéz és Kar Vibrációs Szindróma vagy kéztálagút szindróma. Emiatt a folyamatot és rendszeres felhasználóknak javallott alaposan figyelni a kezeit és ujjait állapotát. Amennyiben a fenti tünetek bármelyike jelentkezik, azonnal forduljon orvoshoz.
- Ha bármilyen elektronikus egészségügyi eszközt használ, mint például pacemakert, akkor kérje orvosa valamint az eszköz gyártójának tanácsát a felszerelés működtetése előtt.

Az egység/gép biztonsága

- Ellenőrizze az egész egységet/gépet minden használat előtt. Cserélje ki a sérült alkatrészeket. Ellenőrizze, hogy nem szivárogo-e az üzemanyag, és győződjön meg arról, hogy minden rögzítő a helyén van, és biztonságosan van van erősítve.
- Az egység/gép használata előtt cseréljen ki minden alkatrészt, mely törött, kopott vagy bármilyen módon sérült.
- Győződjön meg róla, hogy a védőelem megfelelően fel van csatlakoztatva.
- Tartson másokat távol akkor, amikor karburátorállításokat végez.
- Csak azokat a kiegészítőket használja, melyeket az egység/gép gyártója javasol.

⚠ VIGYÁZAT

- Soha, semmilyen módon ne módosítsa az egységet/gépet. Ne használja az egységet/gépet rendeltetésével ellentétesen.

Üzemanyag biztonság

- Az üzemanyag gyúlékony és belélegzése vagy a bőrre folyása súlyos sérüléseket okozhat. Mindig figyelmesen kezelje az üzemanyagot. Ha épületen belül kezel üzemanyagot, gondoskodjon jó szellőzésről.
- A szabadban keverje és öntsze az üzemanyagot, szikrától és nyílt lángtól távol.
- Az üzemanyaghoz jóváhagyott tartályt alkalmazzon.
- Ne dohányozzon és ne engedje, hogy mások dohányozzanak az üzemanyag vagy az egység/gép közelében, vagy az egység/gép használata közben.
- A motor elindítása előtt töröljön fel minden félrefojt üzemanyagot.
- Az üzemanyagöltés helyszínétől legalább 3 méter távolságban indítsa be a motort.

- Az üzemanyagtank-sapka eltávolítása előtt állítsa le a motort.
- Az egység/gép tárolása előtt ürítse ki az üzemanyagtartályt. Javasolt az üzemanyagot minden használat után kiüríteni. Amennyiben maradt üzemanyag a tankban, úgy tárolja, hogy az ne szivárogojon.
- Az egység/gépet és üzemanyagot olyan helyen tárolja, ahol az üzemanyaggyűző szikra és nyílt láng nem érinthet, mely például bojléről, elektromos motorból vagy indítóból, kandallóból, stb. származhat.

⚠ VIGYÁZAT

Az üzemanyag robbanékony, gyúlékony és füstjének belélegzése ártalmas, ezért különös óvatossággal járjon el az üzemanyag kezelésekor vagy utántöltésekor.

Biztonságos használat

- Az egységet/gépet kizárólag ésszerű időpontban üzemeltesse – ne kora reggel, vagy késő este, amikor ezzel más emberek zavarhat. Tartsa be a helyi előírásokban szereplő időtartományokat. Az ajánlásokban gyakran a hétfőtől szombatig, 9–17 óráig terjedő tartomány szerepel.
- Soha ne irányítsa a kifújó levegőt a közelben állókra, és soha ne engedjen senkit a használati terület közelébe. Óvatosan járjon el a levegőfúvós során, kerülje az üvegfelületeket, autókát stb.
- A gép használata során figyeljen a járda egyenetlenségeire, a görnyös terepre és más körülményekre.
- Tegyen meg minden lehetséges óvintézkedést, amikor felügyelet nélkül hagyja a gépet (például állítsa le a motort).
- Soha ne működtesse a gépet a megfelelő védőelemek, fűvécsonél és más védőeszközök felhelyezése nélkül. (Amennyiben elérhető ilyen felszerelés.)
- Gyermekeket, állatokat, közelben tartózkodókat és segítőket tartson távol a veszélyterület 15 méteres körzetétől. Azonnal állítsa le a motort, ha megközelítik.
- A motort mindig teste jobb oldalán tartsa.
- Stabílan álljon és biztosan tartsa egyensúlyát. Ne húzza túll!
- Tartsa távol minden testrészét a kipufogótól.
- Mindig legyen Önnél elsősegély készlet amikor a felszerelés működteti.
- Soha ne indítsa be vagy járassa a motort zárt helyiségben vagy épületben és/vagy gyúlékony folyadék közelében. A kibocsátott füst belélegzése halált okozhat.

Karbantartási biztonság

- Az egység/gép karbantartását a javasolt eljárások szerint végezze.
- Távolítsa el a gyújtógyertyát karbantartás végrehajtása előtt, karburátor állítások kivételével.
- Tartson másokat távol akkor, amikor karburátorállításokat végez.
- Kizárólag eredeti Hitachi cserealkatrészeket használjon, ahogy a gyártó is javasolja.

FIGYELM

Ne szedje szét a behúzó indítót. A behúzó kicsapása esetleges személyi sérülést okozhat.

Szállítás és tárolás

- Az egységet/gépet kézben vigye, leállított motorral, és hangtomptól a testétől eltartva.
- Engedje, hogy a motor lehűljön, ürítse ki az üzemanyagtankot, és biztosítsa az egységet/gépet járműben történő szállítás vagy tárolás előtt.
- Az egység/gép tárolása előtt ürítse ki az üzemanyagtartályt. Javasolt az üzemanyagot minden használat után kiüríteni. Amennyiben maradt üzemanyag a tankban, úgy tárolja, hogy az ne szivárogojon.
- Az egység/gép a gyermekektől távol tárolandó.
- Alaposan tisztítsa és tartsa karban az egységet, és száraz helyen tárolja.
- Győződjön meg arról, hogy a motor kapcsolója kikapcsoló állapotban van szállításkor vagy tároláskor.

Ha olyan helyzet adódna, melyre ebben a kézikönyvben nem talál megoldást, akkor józanész szerint járjon el. Forduljon Hitachi kereskedőjéhez, amennyiben segítségre lenne szüksége. Különös figyelemmel kezelje azokat az állításokat, melyeket a következő szakak előzik meg:

⚠ VIGYÁZAT

Súlyos személyi sérülést vagy halált okozó tényezők lehetőségét jelzi, amennyiben az útmutatást nem követik.

FIGYELEM

Személyi sérülést vagy a felszerelés károsodását okozó tényezők lehetőségét jelzi, amennyiben az útmutatást nem követik.

MEGJEGYZÉS

Hasznos információk a helyes működést és használatot illetően.

MŰSZAKI ADATOK

Típus	RB24EAP/RB24EA
Motorméret (ml)	23,9
Gyújtógyertyák	NGK BMR7A
Tömeg (kg)	3,9
Üzemanyagtank térfogata (l)	0,52
Hangnyomás szint LpA (dB(A)) az ISO22868	By ANSI 69 ^{*2} By CEN 87 ^{*1}
Bizonytalansága (dB(A))	1,8 ^{*1}
Hangteljesítmény szint Lw mért (dB(A)) az ISO22868	107 ^{*1}
Hangerő szintje LwA (db(A)) az 2000/14/EC	109 ^{*1}
Vibráció szint (m/s ²) az ISO22867	12
Bizonytalansága (m/s ²)	1,0

*1: A zaj/rezgés szint időszűlyozott energia összegével egyenértékű zaj/rezgés szintekkel lettek kiszámítva, különböző munkafeltételek mellett a következő időelosztásban: 1/7 alapjárat, 6/7 pörgötve.

*2: ANSI B175.2

* Valamennyi adat előzetes értesítés nélkül változhat.

ÖSSZESZERELÉSI ELJÁRÁSOK

Fűvócső csatlakoztatása a fő részhez (1. ábra)

Vizsgálja meg a fő részt és a tartozékokat.

Szorosan csatlakoztassa az egyenes csövet (1). Állítsa be a védelmet (2) az egyenes csőben a fűvó burkolatán lévő hornyol (3) és csúsztassa a csövet a fűvó burkolatába.

A cső rögzítéséhez csavarja azt óra járásával egyező irányba.

Kúpos cső az egyenes csőbe (2. ábra)

○ Igazítsa be a hornyot (5) a kúpos csővön (6) és az egyenes cső (1) védőelemén (4) és forgassa a helyére a kúpos csövet.

MŰKÖDTETÉSI ELJÁRÁSOK

Üzemanyag (3. ábra)

⚠ VIGYÁZAT

- Az egység/gép kétütemű motorral rendelkezik. Mindig olajjal kevert üzemanyaggal járassa a motort. Biztosítson megfelelő szellőztetést tankoláskor és az üzemanyag kezelésekor.
- Az üzemanyag fokozottan lobbanásveszélyes, ezért súlyos személyi sérülést okozhat annak belégzése vagy bőrről való érintkezése. Mindig legyen körültekintő az üzemanyag kezelésekor. Ha a benzint beltérben kezeli, gondoskodjon a helyiség megfelelő szellőztetéséről.

Üzemanyag

- Mindig 89-es oktánszámú ólommentes benzint használjon.
- Eredeti kétütemű motorolajat vagy 25:1-től 50:1 arányú keveréket használjon. Kérem, nézze meg az olaj flakonját az arányhoz vagy a Hitachi kereskedőjét kérdezze.
- Amennyiben eredeti motorolaj nem elérhető, akkor használjon a kifejezetten léghűtéses 2 ütemű motorhoz szánt anti-oxidáns tartalmú olajat (JASO FC GRADE OIL vagy ISO EGC GRADE). Ne használjon BIA vagy TCW (2 ütemes vízhűtéses típus) kevert olajat.
- Ne használjon négyütemű motorolajat, vagy fáradt olajat.
- Az üzemanyagot és olajat mindig egy különálló, tiszta tárolóban keverje össze.

Először mindig csak a szükséges üzemanyag mennyiség felét tölts be. Ezt követően tölts be a szükséges olajmennyiséget. Keverje (rázza össze) az üzemanyag keveréket. Adja hozzá a megmaradó üzemanyag mennyiséget.

Keverje (rázza össze) az üzemanyag keveréket az üzemanyagtankba való töltése előtt.

Üzemanyag

⚠ VIGYÁZAT

- Tankolás előtt mindig állítsa el a motort és hagyja pár percig lehűlni.
- Lassan nyissa ki az üzemanyagtankot az üzemanyag betöltése előtt, így a lehetséges túlnyomás megszűnik.
- Alaposan csavarja vissza a tanksapkát az üzemanyag utántöltés után.
- Mindig vigye az egységet legalább 3 m távolságra az üzemanyagöltés helyszínétől az indítás előtt.
- Az üzemanyag kezelése, betöltése közben ne dohányozzon és ne keltsen szikrát.
- A ruhára kifröccsent üzemanyagot azonnal kezelje le szappannal.
- Tankolás után ellenőrizze, hogy nincs-e szivárgás.

Üzemanyag utántöltés előtt tisztítsa meg a tanksapka környékét alaposan annak érdekében, hogy ne kerülhessen szennyeződés a tankba. Győződjön meg arról, hogy az üzemanyagot megfelelően összekeverte és összerázta a tartályban az üzemanyag utántöltés előtt.

Indítás

FIGYELEM

Ne használja, ha a cső és a védőháló el van tömődve.

1. Állítsa a kapcsolót (7) BE helyzetbe. (4. ábra)
*Többször nyomja meg a szivató gombot (8), hogy üzemanyag folyék be a porlasztóba (9). (5. ábra)
2. A szivatókart kapcsolja CLOSED állásba. (6. ábra)
3. Határozottan ránts meg az indítókötelet. Ügyeljen közben arra, hogy jól fogja a fogantyút és ne hagyja hátravágódni. (7. ábra)
4. Ha hallja, hogy a motor indulna, állítsa a szivató kart RUN (nyitott) állásba. Ez után ismét ránts meg az indítókötelet.

VIGYÁZAT

- Ne indítsa el vagy járassa a motort zárt helyiségben vagy épületben és / vagy gyúlékony folyadék közelében. A kipufogógázok belégzése halálos.
- A gépet mindig erősen fogja és ne hagyja a kötelet hátra csapódni.

MEGJEGYZÉS

Ha a motor nem indul be, ismétlje meg 2-4 alkalommal a folyamatot.

5. A motor elindulása után húzza meg a gázkart, hogy kioldjon a gázzárítót. Mielőtt terelné, hagyja 2-3 percig melegedni a motort.

*Ha a motor leáll és nehezen indítható újra, hagyja lehűlni mielőtt újra megpróbálja.

A lombfúvó működtetése (8. ábra)

- A levelek és száraz föld eltávolításához használjon alacsony sebességet.
- A nedves levelek és föld eltávolítására a közepes sebesség alkalmas.
- Kavicsok, salak vagy más nehéz anyagok eltávolításához használjon nagy sebességet.

VIGYÁZAT

- Ne irányítsa a kifújt levegőt emberekre vagy állatokra.
- A készüléket kizárólag jól szellőző helyen szabad üzemeltetni.
- Soha ne szerelje szét vagy össze a gépet, járó motorral, mert súlyos sérülést szenvedhet.
- Járó vagy nemrég kikapcsolt motor kipufogóját, gyertyáját vagy más fém részeit ne érintse meg.

FIGYELEM

A lombfúvót úgy tervezték és úgy állították be, hogy az üzemeltetése során minden fúvócső használatban legyen. Az egyenes cső és kúpos cső nélkül tilos üzemeltetni.

Leállítás (9. ábra)

Csökkenesse a motor fordulatszámát és néhány percig járassa üresjárásban, majd kapcsolja ki a gyújtáskapcsolót.

KARBANTARTÁS

AZ EMISSZIÓ SZABÁLYZÓ ESZKÖZÖK ÉS RENDSZEREK KARBANTARTÁSÁT, CSERÉJÉT, VAGY JAVÍTÁSÁT BÁRMELY NEM JÁRMŰ MOTOR JAVÍTÓ MŰHELY VAGY SZEMÉLY ELVÉGEZHETI.

Karburátor beállítás (10. ábra)

A karburátorban a benzin levegővel keveredik. A gyárban a motor tesztelesekor beállítják a karburátort is. További beállításra lehet szükség a klímától és a tengerszint feletti magasságtól függően. A karburátor egy módon állítható:

T = üresjárat-sebesség beállító csavar.

Üresjárat-sebesség beállítás (T)

Ellenőrizze, hogy a légszűrő tiszta-e. Ha beállításra van szükség, forgassa az ÜRESJÁRAT sebességállító csavart (T) szorosra (óra járásával egyező irány), így növelheti a motor sebességét, vagy a sebesség csökkentéséhez nyissa ki a csavart (óra járásával ellentétes irány). A normál üresjárat sebesség 2800-3200 ford/perc.

JAVASLAT

A KARBURÁTOR BEÁLLÍTÁSA JÓL KÉPZETT ÉS TAPASZTALT SZAKEMBER KÖZREMŰKÖDÉSÉT IGÉNYLI, JAVASOLJUK, HOGY JUTTASSA EL A KÉSZÜLÉKET A HITACHI FORGALMAZÓJÁHOZ.

Légszűrő (11. ábra)

A légszűrőt meg kell tisztítani a portól és kosztól, hogy az alábbiak elkerülhetőek legyenek:

- Karburátor hibás működése
- Indítási hibák
- A motor teljesítményének csökkenése
- A motor alkatrészeinek szükségtelen kopása
- Magas üzemanyag-fogyasztás

Távolítsa el a levegőszűrő fedelét a fedél tetején található fül benyomásával és a fedél húzásával.

Tisztítsa naponta vagy gyakrabban a légszűrőt, ha nagyon poros környezetben dolgozik.

A légszűrő tisztítása

Nyissa ki el a légszűrő fedelét és a légszűrőt. Öblítse ki őket langyos szappanos vízben. Ellenőrizze, hogy a szűrő száraz-e mielőtt visszaszereli a gépbe. A hosszabb ideje használt légszűrőt nem lehet teljesen kitisztítani. Ezért bizonyos időközönként újjal kell helyettesíteni. A sérült szűrőt mindig cserélni kell.

Benzinszűrő (12. ábra)

Eggedje le az összes üzemanyagot a tankból, és majd húzza ki az üzemanyagszűrő vezetékét. Húzza ki a szűrőt a tartóból, majd áztassa be meleg, mosószeres vízbe.

Áztassa ki alaposan, míg a mosószer teljesen el nem tűnik. Préselje ki - de ne facsarja - a vizet, majd hagyja megszáradni az alkatrészt.

MEGJEGYZÉS

Amennyiben a felgyülemlt por miatt a szűrő megkeményedett, cserélje ki.

Gyújtógyertya (13. ábra)

A gyújtógyertya állapotát befolyásolják a következők:

- Helytelen karburátor beállítás
- Rossz benzinkeverék használata (túl sok olaj a benzinben)
- Koszos légszűrő
- Durva üzemelési körülmények (mint például hideg idő)

Ezek a tényezők lerakódásokat eredményezhetnek a gyújtógyertya elektródáin, amely hibás működést és nehézségeket okozhat. Amennyiben a motor gyenge, nehéz elindítani és nagyon gyengén jár alapjáraton, akkor mindig a gyertyát ellenőrizze először. Amennyiben a gyertya koszos, tisztítsa meg és ellenőrizze az elektróda hézagot. Amennyiben szükséges, állítsa be újra. A megfelelő hézag 0,6 mm. A gyertyákat 100 óra működés után cserélni kell vagy korábban, ha az elektródák nagyon rozsdásak.

MEGJEGYZÉS

Bizonyos településeken, a helyi törvények megkövetelik az ellenállás gyújtógyertya használatát, hogy elfojtható legyen az indítási jel. Amennyiben az Ön gépében ellenállás gyújtógyertyák vannak, ha cserélni szükséges, ugyanazzal a típussal cserélje ki.

Ütemezett karbantartás

Alább található néhány fontosabb karbantartási útmutató. További információ érdekében, kérjük lépjen kapcsolatba Hitachi forgalmazójával.

Napi karbantartás

- A gép külsejének tisztítása.
- Ellenőrizze, hogy a porvédőn nem láthatók-e sérülések vagy repedések. Sérülés vagy repedés esetén cserélje le a porvédőt.
- Ellenőrizze, hogy a csavarok eléggé meg vannak-e húzva.

Heti karbantartás

- Ellenőrizze az indítót, különösen a vezetékét.
- Tisztítsa meg a gyertyafurat külsejét.
- Távolítsa el a gyertyát és vizsgálja meg az elektróda hézagot. Állítsa be 0,6 mm-re vagy cserélje a gyertyát.
- A légszűrő tisztítása.

Havi karbantartás

- Öblítse ki a benzintartályt gázolajjal és tisztítsa ki a bevizet a szűrőt.
- Tisztítsa meg a karburátor külsejét és a körülötte lévő helyeket.

Negyedéves karbantartás

- Tisztítsa meg a henger hűtőbordáit.
- Tisztítsa meg a hűtőventilátort és a körülötte lévő helyeket.
- Tisztítsa meg a kipufogódobot a koromtól.

FIGYELEM


A hűtőbordák, a ventilátor és a kipufogó tisztítását bizza hivatalos Hitachi szervizközpontra.

MEGJEGYZÉS

Ha viszonteladónktól alkatrészt rendel, használja azt a cikkszámot, amit jelen használati utasítás Alkatrész meghibásodás fejezetében talál.

VÝZNAM SYMBOLŮ

POZNÁMKA: Některé jednotky jimi nejsou označeny.

	<p>Symbole VAROVÁNÍ Následující text obsahuje symboly, které jsou použity na zařízení. Ujistěte se, že rozumíte jejich obsahu před tím, než začnete zařízení používat.</p>		
	<p>Je důležité, abyste četli a plně pochopili následující bezpečnostní upozornění a varování. Neopatrné používání přístroje může způsobit vážné nebo smrtelné zranění.</p>		<p>VAROVÁNÍ NEBEZPEČÍ Horké povrchy; Tlumič a okolní kryt se mohou výrazně zahřát. Nikdy se nezdržujte v oblasti výfuku ani tlumiče, v opačném případě může dojít k závažným zraněním.</p>
	<p>Čtete, seznámte se a dodržujte všechna varování a pokyny v tomto manuálu i na přístroji.</p>		<p>Všechny děti, náhodní přítomní i spolupracující osoby by se neměly přibližovat na méně než 15 m. Pokud se k vám někdo přiblíží, ihned vypněte motor.</p>
	<p>Při práci s tímto zařízením vždy používejte ochranu hlavy, zraku i sluchu.</p>		<p>Noste pevnou a odolnou obuv s protiskluzovou podrážkou.</p>
	<p>VAROVÁNÍ NEBEZPEČÍ Nedotýkejte se rotující vrtele.</p>		

Obsah

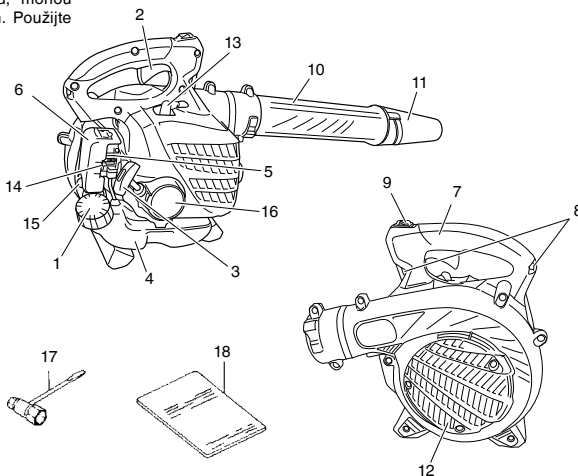
CO JE CO	27
VAROVÁNÍ A BEZPEČNOSTNÍ POKYNY	28
SPECIFIKACE	29

MONTÁŽNÍ POSTUPY	29
OBSLUHA	29
ÚDRŽBA	30

CO JE CO

Protože se tento manuál vztahuje na několik modelů, mohou existovat menší rozdíly mezi obrázky a vašim zařízením. Použijte pokyny, které platí pro vaše zařízení.

1. Kryt palivové nádrže
2. Páčka plynu
3. Držadlo startéru
4. Palivová nádrž
5. Karburátor
6. Čistič vzduchu
7. Držadlo
8. Závěsné očko
9. Spínač zapalování
10. Rovná trubka
11. Kónické vedení
12. Ochranná síť
13. Zapalovací svíčka
14. Úchyt kabelu
15. Držadlo plynu
16. Pružný startér
17. Kombinovaný trubkový klíč
18. Návod k obsluze



VAROVÁNÍ A BEZPEČNOSTNÍ POKYNY

Bezpečnost obsluhy

- Během použití je nutné mít obličej chráněn maskou s prachovým filtrem.
- Vždy noste ochranný štít nebo brýle.
- Vždy noste pevné dlouhé kalhoty, boty a rukavice. Nenoste volně obléčení, šperky, krátké kalhoty ani sandály ani nechodte bosí. Vlasy si upravte tak, aby končily nad linií ramen.
- S nástrojem nepracujte, pokud jste vyčerpaní, nemocní nebo jste pod vlivem alkoholu, drog nebo léků.
- Nikdy nedovolte zacházet dítěti nebo nezkušené osobě se strojem.
- Používejte chrániče sluchu. Věnujte pozornost svému okolí. Vnímejte každého kolemstojícího, který vám může signalizovat problém. Ihned po vypnutí motoru odstraňte bezpečnostní vybavení.
- Používejte ochranu hlavy.
- Nikdy motor nespouštějte v uzavřené místnosti nebo budově. Vdechování výfukových výparů může zabít.
- Rukojeti nenechte zašpinit olejem a palivem.
- Nedotýkejte se pohyblivých nebo horkých částí.
- Nechytějte ani nezvedejte zařízení za foukací trubku.
- Po vypnutí každého se před postavením ujistěte, že se motor zastavil.
- Při dlouhodobějším používání si dopřejte přestávky, abyste se vyhnuli syndromu vibrace v pažích způsobenému dlouhodobým řezáním.

VAROVÁNÍ

- Antivibrační systémy nezaručí imunitu vůči vibracím v pažích ani vůči syndromu karpálního tunelu. Pravidelní a dlouhodobí uživatelé by proto měli sledovat stav svých paží a prstů. Pokud se dostaví kterýkoliv z popisovaných příznaků, ihned vyhledejte odbornou lékařskou pomoc.
- Pokud používáte jakýkoliv zdravotnický elektrický/elektronický přístroj, např. kardiostimulátor, poraďte se s lékařem i dodavatelem zařízení, než je začnete používat.

Bezpečnost zařízení

- Před každým použitím celé zařízení/přístroj důkladně prohleďte. Vyměňte poškozené součásti. Zkontrolujte úniky paliva a ověřte si, že všechny uzávěry jsou na svém místě utažené.
- Před použitím zařízení/přístroje vyměňte prasklé nebo jakkoliv jinak poškozené součásti.
- Ujistěte se o správném nasazení bezpečnostního krytu.
- Při provádění úprav karburátoru pracujte mimo blízkost dalších osob.
- Používejte pouze příslušenství doporučené výrobcem.

VAROVÁNÍ

- Nikdy zařízení/přístroj žádným způsobem neupravujte. Zařízení/přístroj používejte výhradně k účelu, k němuž je určeno.

Bezpečnost v zacházení s pohonnými hmotami

- Palivo obsahuje vysoce hořlavé látky a při jejich vdechnutí nebo potřísnění kůže může dojít k vážnému tělesnému poranění. Při manipulaci s palivem dávejte vždy pozor. Při manipulaci s palivem v budově vždy zajistěte dobré větrání.
- Palivovou směs míchejte a dolévejte venku a mimo přítomnost jisker nebo ohně.
- Na palivo používejte schválenou nádobu.
- Při používání zařízení/přístroje ani kdykoliv jindy v jeho blízkosti nekuřte a kouření nedovolte.
- Před nastartováním oťete případně uniklé palivo.
- Před nastartováním popojďte od místa plnění nejméně o 3 m.
- Před sejmutím víčka nádrže motor vypněte.
- Před uložení palivovou nádrž vyprázdňte. Po každém použití se doporučuje vyprázdnit palivo. Pokud palivo ponecháte v nádrži, ukládejte přístroj tak, aby neuniklo.
- Přístroj a palivo ukládejte tak, aby výpary z paliva nebyly v kontaktu s jiskrou nebo otevřeným plamenem – pozor na bojler, elektromotory, spínače, kotle atd.

VAROVÁNÍ

Při manipulaci s palivem dbejte mimořádné opatrnosti, protože je snadno vznítilné, explozivní a vdechovatelné.

Bezpečnost foukání

- Provozujte jednotku/stroj pouze v běžnou denní dobu, nikoli brzy ráno nebo pozdě večer, kdy by mohlo rušit osoby. Dodržujte čas předepsaný místními předpisy. Nečastější doporučení je mezi 9:00 ráno až 5:00 odpoledne, Pondělí až Sobota.
- Vzduchovým výfukem nemířte na okolostojící a nedovolte aby nepovolané osoby vstupovaly do oblasti práce. Buďte opatrní a nesměřujte výfuk na sklo, vozidla atd.
- Při použití zařízení dávejte pozor na nerovnosti chodníku, jamky a jiné nepravidelnosti povrchu.
- Když zařízení ponecháváte bez dozoru, podnikněte preventivní kroky, jako je vypnutí motoru.
- Zařízení nepoužívejte bez řádné připevněných krytů, trubic a ochranných prvků. (Jsou-li součástí/dodávky.)
- Osoby zahrnuje děti, zvířata, kolemjdoucí i pomocníky udržujte ve vzdálenosti 15 m mimo nebezpečnou zónu. Pokud se k vám kdokoliv přiblíží, okamžitě motor vypněte.
- Motor držte vždy napravo od těla.
- Udržujte bezpečný a stabilní postoj a rovnováhu. Nepředklánějte se.
- Tlumič držte vždy co nejdále od těla.
- Při používání tohoto zařízení mějte vždy na dosah lékárníčku.
- Nikdy přístroj nespouštějte v uzavřené místnosti nebo budově a/nebo v blízkosti hořlavých kapalin. Vdechování výfukových výparů může zabít.

Bezpečnost při údržbě

- Zařízení/přístroj udržujte podle stanovených doporučení.
- S výjimkou seřizování karburátoru vyjměte před každou údržbou svíčky.
- Při provádění úprav karburátoru pracujte mimo blízkost dalších osob.
- Používejte pouze originální náhradní díly Hitachi doporučené výrobcem.

UPOZORNĚNÍ

Startér nerozebírejte. Vratná pružina by vám mohla způsobit úraz.

Transport a uskladnění

- Zařízení/přístroj přenášejte za rukojeť s motorem vypnutým a tlumičem stranou od těla.
- Motor nechte vychladnout, vyprázdňte palivovou nádrž a před uložení nebo transportem zařízení/přístroj zajistěte.
- Před uložení zařízení palivovou nádrž vyprázdněte. Po každém použití se doporučuje vyprázdnit palivo. Pokud palivo ponecháte v nádrži, ukládejte přístroj tak, aby neuniklo.
- Zařízení/přístroj ukládejte mimo dosah dětí.
- Zařízení/přístroj pečlivě čistěte a ukládejte je na suchém místě.
- Při přepravě nebo ukládání se ujistěte, že je vypnut spínač motoru.

Pokud se vyskytne situace, u které tento manuál nepojednává, buďte opatrní a používejte logický úsudek. Pokud potřebujete pomoc, kontaktujte prodejce Hitachi. Zvláštní pozornost věnujte úsekům uvozeným následujícími slovy:

VAROVÁNÍ

Naznačuje možnost vážného úrazu nebo ohrožení života v případě nedodržení.

UPOZORNĚNÍ

Naznačuje možnost úrazu nebo poškození zařízení v případě nedodržení.

POZNÁMKA

Prospěšné informace pro správnou funkci a užívání.

SPECIFIKACE

Model	RB24EAP/RB24EA
Objem motoru (ml)	23,9
Svíčka	NGK BMR7A
Hrubá váha (kg)	3,9
Kapacita palivové nádrže (l)	0,52
Hodnota akustického tlaku LpA (dB(A)) dle ISO22868	By ANSI 69*2 By CEN 87*1
Nejistota (dB(A))	1,8**
Hodnota akustického výkonu Lw úměrná dle ISO22868	107**
Hodnota akustického výkonu LwA(dB(A)) dle 2000/14/EC	109**
Hladina vibrací (m/s ²) dle ISO22867	12
Nejistota (m/s ²)	1,0

*1: Ekvivalentní hladina hluku/hladina vibrací se vypočítává jako časově vážený součet energie na hluk/vibrace v různých pracovních podmínkách s následujícím časovým rozdělením: 1/7 volnoběh, 6/7 plný provoz.

*2: ANSI B175.2

* Změna dat bez předchozího ohlášení vyhrazena.

MONTÁŽNÍ POSTUPY

Foukací trubice kzákladnfčásti (Obr. 1)

Zkontrolujte základní část a doplňky. Bezpečně připevněte rovnou trubici (1). Výstup (2) na rovnou trubici srovnajte s rýhou (3) na foukací trubici a zasuňte trubici do těla foukače.

Trubicu zajistěte otočením po směru hodinových ručiček.

Kónické vedení k rovné trubce (Obr. 2)

○ Vyrovnajte drážku (5) na kónickém vedení (6) a na vstupu (4) na rovné trubce (1) a kónické vedení otáčením umístěte.

OBSLUHA

Palivo (Obr. 3)

⚠ VAROVÁNÍ

- Jednotka/stroj je vybaven dvoutaktním motorem. Vždy spouštějte motor s palivem smíšeným s olejem. Při doplňování nebo jiné manipulaci s palivem zajistěte dobré odvětrávání.
- Palivo je vysoce hořlavé a po nadechnutí nebo polítlí může dojít k vážnému osobnímu zranění. Vždy dbějte zvýšené pozornosti při manipulaci s palivem. Při manipulaci v budově vždy zajistěte dobré odvětrání.

Palivo

- Vždy používejte značkový bezolovnatý 89 oktanový benzin.
- Používejte kvalitní olej na dvoutaktní motory nebo směs v poměru 25:1 až 50:1, řiďte se poměrem uvedeným na obalu oleje nebo se poraďte s prodejcem Hitachi.
- Pokud není správný olej k dispozici, použijte kvalitní olej s antioxidantními aditivami výslovně označený jako vhodný pro vzduchem chlazené dvoutaktní motory (JASO FC GRADE OIL nebo ISO EGC GRADE). Nepoužívejte míchaný olej BIA ani TCW (pro vodu chlazené dvoutakty).

- Nikdy nepoužívejte motorový olej pro čtyřtákní motory nebo odpadní olej.
- Benzin a olej vždy míchejte v samostatné čisté nádobě.

Vždy nejprve dolijte nádrž do poloviny potřebného množství a až poté dolijte vše. Poté přidejte celé množství oleje. Palivovou směs promíchejte (protřeste). Přidejte zbývající množství paliva. Před naplněním palivové nádrže palivovou směs důkladně promíchejte (protřeste).

Doplňování paliva

⚠ VAROVÁNÍ

- Před tankováním vždy vypněte motor a nechte jej na pár minut vychladit.
- Při doplňování paliva nádrž otvírejte pomalu, aby mohl případný přetlak uniknout.
- Po doplnění pečlivě dotáhněte víčko palivové nádrže.
- Před nastartováním se vždy přemístěte nejméně 3 m od místa, kde jste doplňovali palivo.
- Při manipulaci s palivem nebo jeho doplňování nikdy nekuřte a rovněž zabraňte výskytu ohně a jisker v jeho blízkosti.
- Oděv pořísněný palivem vždy ihned vyčistěte mýdlem.
- Po doplnění paliva zkontrolujte, zda palivo neuniká.

Před doplňováním opatrně vyčistěte okolí víčka nádrže, aby do nádrže nevnikly nečistoty. Před doplněním posledním protřepáním nádoby zajistěte důkladné rozmíchání směsi.

Startování

UPOZORNĚNÍ

Nespouštějte, pokud je trubice a ochranná síť zakryta jakýmkoli předmětem.

1. Zkontrolujte, zda je spínač (7) v pozici ON (Zapnout). **(Obr. 4)**
* Několikrát zatlačte na spouštěcí nádobku (8) tak, aby zpětnou trubici začalo protékat palivo (9). **(Obr. 5)**
2. Páčku svítky uveďte do polohy ZAVŘENO. **(Obr. 6)**
3. Rychle zatáhněte za startér a držadlo dobře svírejte tak, aby nemohlo zaskočit zpět. **(Obr. 7)**
4. Když uslyšíte, že se chce motor spustit, uveďte páčku škrtků klapky do SPOUŠTĚCÍ polohy (otevřeno). Poté znovu rychle zatáhněte za startér.

⚠ VAROVÁNÍ

- Nikdy nespouštějte nebo nerozbihejte motor v uzavřené místnosti nebo budově a/nebo v blízkosti hořlavé kapaliny. Vdechování výfukových zplodin může být smrtelné.
- Nedovolte, aby lanko zaskočilo zpět a přístroj držte vždy pevně.

POZNÁMKA

Pokud motor nenastartuje, zopakujte kroky 2 až 4.

5. Po spuštění motoru zatáhněte za škrtků klapku tak, aby se uvolnil jezízámek. Před tím, než motor vystavíte zátěži, nechte jej 2–3 minuty zahřívát.
* Pokud se motor zastaví a je těžké jej opět ihned nastartovat, před tím, než se o to pokusíte, jej nechte vychladnout.

Použití foukače (Obr. 8)

- Nízká rychlost se používá k odfouknutí listů a suché trávy.
- Střední rychlost by měla být používána k odstranění mokré trávy a listů.
- Vysoká rychlost se používá k odstranění šetěrku, písku a jiných těžších materiálů.

⚠ VAROVÁNÍ

- Nemířte výfukem vzduchu na lidi ani na zvířata.
- zařízení lze používat pouze v dobře větrných oblastech.
- Montáž resp. demontáž nikdy neprovádějte se spuštěným motorem, neboť v takovém případě může dojít k vážnému zranění.
- Nikdy se nedotýkejte tlumiče, zapalovací svíčky nebo jiných kovových částí, je-li motor v provozu nebo bezprostředně po jeho zastavení.

UPOZORNĚNÍ

Tento foukač byl navržen a nastaven k použití se všemi příloženými trubicemi. Nesmí být nikdy provozován bez rovné trubice a kónického vedení.

Vypnutí (Obr. 9)

Sníže rychlost motoru a nechte jej několik minut běžet na volnoběh, potom jej vypněte spínačem zapalování.

ÚDRŽBA

ÚDRŽBU, VÝMĚNU NEBO OPRAVU EMISNÍCH ZAŘÍZENÍ A SYSTÉMU MŮŽE PROVĚST KTERÁKOLI OPRAVNA MIMO AUTOOPRAVNÝ NEBO ODBORNÝ OPRAVÁŘ.

Seřízení karburátoru (Obr. 10)

V karburátoru, palivo je smíšené s vzduchem. Karburátor se nastavuje při zkušebním provozu motoru ve výrobě. Další úprava může být požadována, podle klimatu a nadmořské výšky. Karburátor má jednu regulační možnost:

T = seřizovací šroub volnoběhu.

Seřízení otáček chodu naprázdno (T)

Zkontrolujte, zda je vzduchový filtr čistý. Pokud je vyžadováno nastavení, nastavte rychlost otočením nastavovacího šroubu IDLE dovnitř (po směru hodinových ručiček), čímž rychlost snížíte. Standardní otáčky při volnoběhu: 2800-3200 ot./min.

DOPORUČENÍ

NASTAVENÍ KARBURÁTORU MUSÍ PROVÁDĚT SKUŠENÁ A VYUČENÁ OSOBA, DOPORUČUJEME VYUŽÍT SLUŽEB PRODEJCE HITACHI.

Vzduchový filtr (Obr. 11)

Vzduchový filtr musí být očištěný od prachu a nečistot, aby se předešlo:

- Selhání karburátoru
- Spouštěcím problémům
- Snížení výkonu motoru
- Zbytečnému opotřebování motorových částí
- Nadměrné spotřebě paliva

Odstraňte vzduchový filtr stisknutím a odsunutím výstupku na vrchu.

Vzduchový filtr čistěte denně, pokud pracujete v nadměrně prašných oblastech, pak i častěji.

Čištění vzduchového filtru

Otevřete kryt vzduchového filtru i filtr samotný. Opláchněte mýdlovou vodou. Před opětovným namontováním zkontrolujte, zda je filtr suchý. Vzduchový filtr který byl užíván po určitou dobu nelze zcela vyčistit. Proto musí být pravidelně vyměňován za nový. Poškozený filtr musí být vždy vyměněn.

Palivový filtr (Obr. 12)

Vypustěte z palivové nádrže všechno palivo a z nádrže vytáhněte vedení palivového filtru. Vytáhněte filtr z držáku a vypláchněte v teplé vodě s odmašťujícím přípravkem.

Proplachujte důkladně tak dlouho, dokud nebude odmašťující přípravek vypláchnut docela. Filtrační vložku vymačkejte (neždímat), aby se odstranila nadbytečná voda, pak nechte uschnout na vzduchu.

POZNÁMKA

Pokud je filtrační vložka ztvrdlá vívem usazenin nečistot, vyměňte ji.

Zapalovací svíčka (Obr. 13)

Stav svíčky je ovlivněn následujícími faktory:

- Nesprávný seřízení karburátoru
- Špatná palivová směs (příliš mnoho nafty v benzinu)
- Špinavý vzduchový filtr
- Tvrdé provozní podmínky (jako například chladné počasí)

Tyto faktory způsobí usazeniny na elektrodách svíčky které mohou mít za následek špatné fungování a spouštění. Pokud má motor horší výkon, obtížně startuje nebo má nesprávný chod na volnoběh, vždy nejprve zkontrolujte svíčku. Pokud je svíčka znečištěná, vyčistěte ji a zkontrolujte odtrh elektrod. Znovu seřďte, bude-li to nezbytné. Správný odtrh je 0,6 mm. Zapalovací svíčka by měla být vyměněna po cca 100 provozních hodinách nebo dříve, pokud jsou elektrody výrazně erodované.

POZNÁMKA

V některých oblastech, místní zákon vyžaduje používání rezistorové zapalovací svíčky, aby byly potlačeny zapalovací signály. Pokud byl váš stroj původně vybaven rezistorovou zapalovací svíčkou, použijte k výměně tentýž typ.

Plán údržby

Niže jsou uvedeny některé všeobecné pokyny pro údržbu. Pro bližší informace kontaktujte prosím prodejce Hitachi.

Denní údržba

- Vyčistěte zevnějšek agregátu.
- Zkontrolujte prachový kryt aby na něm nebyly praskliny. V případě poškození nebo prasklin kryt vyměňte.
- Zkontrolujte dostatečné utažení matic a šroubů.

Týdenní údržba

- Zkontrolujte startér, obzvláště přírodní šňůru.
- Očistěte vnější část zapalovací svíčky.
- Odveďte zapalovací svíčku a zadržte vzdálenost elektrod. Nastavte to pro 0,6 mm nebo vyměňujte zapalovací svíčku.
- Čištění vzduchového filtru.

Měsíční údržba

- Vypláchněte palivovou nádrž s benzinem, a začistuje čistič paliva.
- Vyčistěte zevnějšek karburátoru a prostor kolem něj.

Čtvrtletní údržba

- Vyčistěte chladicí žebra na válci.
- Začistěte fanouška a výplněk kolem toho.
- Začistěte šálu uhlíku.

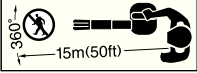


UPOZORNĚNÍ

Čištění žebér válce, větráku a tlumiče by mělo být provedeno Autorizovaným střediskem společnosti Hitachi.

POZNÁMKA

Při objednávání součástek u svého nejbližšího prodejce, použijte laskavě č. položky uvedené v oddíle Poškozené součástky v těchto pokynech.

SEMBOLLERİN ANLAMLARI**NOT:** Bazı ünitelerde bu semboller yoktur.

	Semboller ⚠ UYARI Aşağıda, bu alet için kullanılan simgeler gösterilmiştir. Aleti kullanmadan önce bu simgelerin ne anlama geldiğini anladığınızdan emin olun.		
	Aşağıdaki emniyet ikaz ve uyarılarını okumanız, iyice anlamanız ve uygulamanız önemlidir. Ünitenin dikkatsiz veya hatalı kullanılması ciddi ve hatta ölümcül yaralanmalara yol açabilir.		UYARI ⚠ TEHLİKE Sıcak Yüzeyler. Susturucu ve etrafındaki kapak çok fazla ısınabilir. Egzoz ve susturucu alanını her zaman temiz tutun; aksi takdirde ciddi kişisel yaralanmalar oluşabilir.
	Bu kılavuzdaki ve ünite üzerindeki tüm uyarıları ve talimatları okuyun, anlayın ve uygulayın.		Bütün çocukları, çevredeki kişileri ve yardımcılarını üniteden 15 metre uzakta tutun. Eğer yanınıza biri yaklaşırsa derhal motoru durdurun.
	Bu üniteyi kullanırken, mutlaka emniyet gözlüğü, koruyucu başlık ve koruyucu kulaklık takın.		Kaymayan ve sağlam ayakkabı giymelidir.
	UYARI ⚠ TEHLİKE Ellerinizi dönen fandan uzak tutun.		

İçindekiler

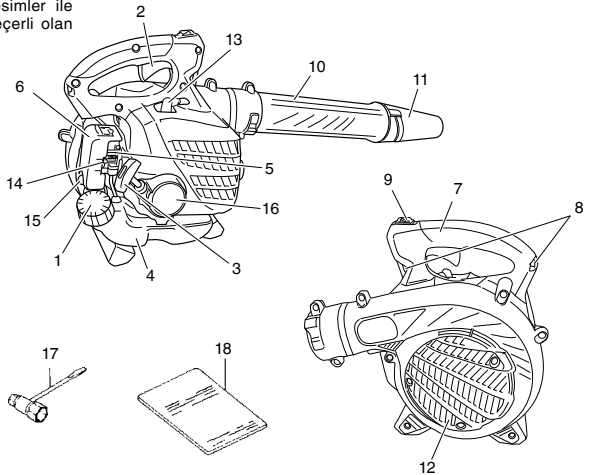
TANIMLAR	31
UYARILAR VE GÜVENLİK TALIMATLARI	32
TEKNİK ÖZELLİKLER	33

MONTAJ İŞLEMLERİ	33
ÇALIŞTIRMA	33
BAKIM	34

TANIMLAR

Bu kullanım kılavuzu birkaç modeli kapsadığı için, resimler ile cihazınız arasında bazı farklar olabilir. Cihazınız için geçerli olan talimatları kullanın.

1. Yakıt kapağı
2. Kısmi valfi tetiği
3. Marş kolu
4. Yakıt Deposu
5. Karbüratör
6. Hava Temizleyici
7. Tutamaç
8. Süspansiyon gözü
9. Ateşleme anahtarı
10. Düz boru
11. Konik boru
12. Koruyucu ağ
13. Buji
14. Kablo kelepçesi
15. Gaz kolu
16. Marş düzeneği
17. Combi box gergisi
18. Kullanım talimatları



UYARILAR VE GÜVENLİK TALİMATLARI

Kullanıcı güvenliği

- Ürünün çalıştırılması sırasında toz filtresi maskesi giyilmelidir.
- Daima yüz koruyucu maske veya emniyet gözlüğü kullanın.
- Daima kalın kumaştan yapılmış uzun pantolon ve bot giyin; eldiven takın. Bol giysiler, kısa pantolon, sandalet giymeyin, takı takmayın; çıplak ayakla çalışmayın. Saçlarınızı omuz hizasından yüksekte olacak şekilde bağlayın.
- Makineyi yorgun veya hastayken ya da alkol, hap veya başka bir ilaç etkisindeyken kullanmayın.
- Makineyi çocukların veya deneyimsiz kişilerin kullanmasına kesinlikle izin vermeyin.
- Koruyucu kulaklık takın. Etrafınıza dikkat edin. Civarınızdaki, bir soruna sebebiyet verebilecek kişilere dikkat edin. Emniyet teçhizatını, motoru kapatıktan hemen sonra çıkarın.
- Koruyucu başlık kullanın.
- Motoru asla kapalı bir oda ya da bina içinde çalıştırmayın ve kullanmayın. Egzoz dumanının solunması ölümlü sonuçlanabilir.
- Makinenin kulplarında yağ veya yakıt olmadığından emin olun.
- Hareket eden parçalardan veya ısınan bölgelerden ellerinizi uzak tutun.
- Birimi üfleme borusundan kavramayın veya tutmayın.
- Birim kapalıyken yere koymadan önce motorun durduğundan emin olun.
- Makineyle uzun süre çalışıyorsanız, titreşimden kaynaklanan El-Kol Titreme Sendromundan (HAVS) korunmak için zaman zaman mola verin.

UYARI

- ▲ Titreşim önleyici sistemler sizi El-Kol Titreme Sendromuna yada tekrarlanan hareket arazına karşı koruma garantisi vermemektedir. Bu nedenle, makineyi sürekli kullanan kişiler ellerinin ve parmaklarının durumunu dikkatli şekilde izlemelidir. Yukarıda belirtilen semptomlardan herhangi birinin ortaya çıkması halinde derhal bir doktora başvurun.
- Kalp pili gibi elektrikli/elektronik tıbbi herhangi bir cihaz kullanıyorsanız, elektrikle çalışan herhangi bir cihazı kullanmadan önce doktorunuza ve cihaz imalatçısına danışın.

Makine güvenliği

- Her kullanımdan önce makinenin/ünitenin her yerini kontrol edin. Hasar gören parçaları yenileriyle değiştirin. Yakıt sızıntısı olup olmadığını kontrol edin ve tüm bağlantıların doğru yerde ve güvenli şekilde sıkılması olduğundan emin olun.
- Çatlama, çizilme ya da herhangi bir şekilde hasar görmüş parçaları, makineyi/üniteyi kullanmaya başlamadan önce değiştirin.
- Emniyet muhafazasının uygun şekilde takıldığından emin olun.
- Karbüratör ayarı yaparken çevrenizdeki insanları makineden uzaklaştırın.
- Sadece üretici tarafından bu makine/ünite için önerilen aksesuarları kullanın.

UYARI

Makine/ünite üzerinde hiçbir şekilde değişiklik yapmayın. Makineyi/üniteyi kesinlikle amaçlanan kullanım dışında bir iş için kullanmayın.

Yakıt güvenliği

- Yakıt yüksek derecede yanma özelliğine sahip sıvı içerir ve solunması veya vücuda teması ciddi kişisel yaralanmalara sebep olabilir. Yakıtla uğraşırken her zaman dikkatli olun. Bina içinde yakıtla uğraşırken, havalandırmanın iyi olmasına kesinlikle dikkat edin.
- Yakıtı açık havada, alev veya kıvılcım olmayan yerlerde karıştırın ve koyun.
- Yakıt için onaylanmış bir kap kullanın.
- Yakıtın ya da makinenin/ünitenin yakınında ya da makineyi/üniteyi kullanırken sigara içmeyin ve başkalarının içmesine izin vermeyin.
- Motoru çalıştırmadan önce tüm yakıt döktüntülerini silerek temizleyin.
- Motoru çalıştırmadan önce makineyi yakıt doldurma alanının en az 3 metre dışına çıkarın.

- Yakıt kapağını çıkarmadan önce motoru durdurun.
- Makineyi kullanmadığınız zamanlarda yerine kaldırmadan önce yakıt deposunu boşaltın. Her kullanımdan sonra yakıtın boşaltılması tavsiye edilir. Depoda yakıt kalması halinde, makineyi yakıtı sızdırmayacak şekilde saklayın.
- Makineyi/üniteyi ve yakıtı, soğbenlerden, elektrikli motorlardan veya balterlerden, fırınlardan, vb. çıkan alev veya kıvılcımların yakıt buharlarına ulaşamayacağı bir yerde saklayın.

UYARI

Yakıt kolayca alev alabilir, patlayabilir veya buharı solunabilir; bu sebeple yakıtı taşıırken veya doldururken özel dikkat gösterin.

Üflemeyle ilgili güvenlik

- Üniteyi/makineyi sadece makul saatlerde kullanın – insanların rahatsız olabileceği sabah erken veya gece geç saatlerde kullanmayın. Yerel kurallarda belirtilen saatlere uyun. Normal olarak Pazartesi ile Cumartesi günleri arasında sabah 9:00 ile akşam 5:00 arasında kullanımı önerilir.
- Çevredekilere doğrudan hava üfletilmemiştir veya çevreye kimsenin yaklaşmasına izin vermeyin. Cam duvar, otomobillere vb. doğru boşaltılmaması için itina gösterin.
- Aracı kullanırken düz olmayan kaldırım, yerdeki delik veya diğer dengesiz koşullara karşı dikkatli olun.
- Motorun durdurulması gibi aracın başında kimse yokken bütün olası önlemleri alın.
- Koruma kalkanları, üfleme boruları veya diğer koruyucu aygıtlar takılı değilken aracı çalıştırmayın. (Bunlar takılıysa.)
- Çocukları, hayvanları, çalışanızı izleyen kişileri ve yardımcılarınızı tehlike alanından 15 metre uzakta tutun. Size yaklaşan olursa, derhal motoru durdurun.
- Motoru daima vücudunuzun sağ tarafında tutun.
- Ayakta sağlam ve dengeli şekilde durduğunuzdan emin olun. Çok uzanmayın.
- Vücudunuzun bütün uzuvlarını susturucudan uzak tutun.
- Elektrikli el aleti kullanırken daima bir ilk yardım çantası taşıyın.
- Motoru kesinlikle kapalı bir odada veya binada ve/veya yanıcı bir sıvının yakınında çalıştırmayın ve kullanmayın. Egzoz dumanının solunması ölümlü sonuçlanabilir.

Bakım güvenliği

- Ünitenin/makinenin bakımını önerilen prosedürlere göre yapın.
- Karbüratör ayarları dışında, bakım yapacağınız zaman buji bağlantısını kesin.
- Karbüratör ayarı yaparken çevrenizdeki insanları makineden uzaklaştırın.
- Sadece üreticinin önerdiği orijinal Hitachi yedek parçalarını kullanın.

UYARI

Marş düzeneğini sökmeyin. Gergi yayı, yaralanmanıza neden olabilir.

Taşıma ve saklama

- Makineyi/üniteyi, motoru durdurduktan sonra ve susturucuyu vücudunuzdan uzak tutarak elle taşıyın.
- Motoru saklamak için kaldırdığınız ya da bir araç ile taşımadan önce, motorun soğumasını bekleyin, yakıt deposunu boşaltın ve üniteyi/makineyi sabitleyin.
- Makineyi kullanmadığınız zamanlarda yerine kaldırmadan önce yakıt deposunu boşaltın. Her kullanımdan sonra yakıtın boşaltılması tavsiye edilir. Depoda yakıt kalması halinde, makineyi yakıtı sızdırmayacak şekilde saklayın.
- Makineyi/üniteyi çocukların ulaşamayacağı bir yerde saklayın.
- Makineyi özenle temizleyin, bakımını yapın ve kuru bir yerde saklayın.
- Taşıma ya da saklama sırasında motorun kapalı olduğundan emin olun.

Bu kılavuzda yer almayan durumlarda, sorunu iradenizle ve sağ duyunuzla çözün. Yardıma ihtiyaç duyarsanız, Hitachi satıcınızla irtibata geçin. Aşağıdaki sözcüklerle vurgulanan ifadelere özellikle dikkat edin.

UYARI

Talimatlara uyulmaması halinde ciddi yaralanma ya da ölümlü sonuçlanacak risklere işaret eder.

UYARI

Talimatlara uyulmaması halinde yaralanma ya da makine hasarıyla sonuçlanacak risklere işaret eder.

NOT

Makinenin işlev ve kullanımında sorunları giderecek bilgileri içerir.

TEKNİK ÖZELLİKLER

Model	RB24EAP/RB24EA
Motor büyüklüğü (ml)	23,9
Buji	NGK BMR7A
Boş Ağırlık (kg)	3,9
Yakıt Deposu Kapasitesi (l)	0,52
Ses basıncı seviyesi LpA (dB(A)) ISO22868 uyarınca	By ANSI 69*2 By CEN 87*1
Belirsizliği (dB(A))	1,8*1
Ses gücü seviyesi Lw ümmernâ (dB(A)) ISO22868 uyarınca	107*1
Ses gücü seviyesi LwA (dB(A)) 2000/14/EC uyarınca	109*1
Titreşim seviyesi (m/s ²) ISO22867 uyarınca	12
Belirsizliği (m/s ²)	1,0

*1: Eşdeğer gürültü seviyesi / titreşim seviyeleri, şu zaman dağılımına sahip çeşitli çalışma koşullarında gürültü/titreşim seviyelerine ilişkin zamana göre düzeltilmiş toplam enerji için hesaplanmıştır: 1/7 Boşta, 6/7 çalışırken.

*2: ANSI B175.2

* Tüm veriler önceden bildirilmeden değiştirilebilir.

MONTAJ İŞLEMLERİ**Ana Gövdeye Üfleme Borusunu Takma (Şekil 1)**

Ana gövde ve aksesuarları inceleyin. Düz boruyu (1) emniyetli şekilde bağlayın. Düz boru üzerindeki çıkıntıyı (2) üfleme cihazı muhafazası üzerindeki kanalla (3) hizalayın ve boruyu üfleme cihazı muhafazasının içine kaydırın.

Boruyu saat yönünde çevirerek yerine kilitleyin.

Konik boru ve düz boru (Şekil 2)

○ Konik boru (6) üzerindeki kanalla (5) düz boru (1) üzerindeki çıkıntıyı (4) hizalayın ve konik boruyu çevirerek yerine oturtun.

ÇALIŞTIRMA**Yakıt (Şekil 3)****UYARI**

○ Ünite/makine, iki zamanlı bir motora sahiptir. Motoru daima yağ ile karıştırılmış yakıtla çalıştırın. Yakıt doldururken ve yakıtı kullanırken daima iyi bir havalandırma sağlayın.

○ Yakıt yüksek derecede yanıcıdır ve solunması veya dökülerek cilde temas etmesi halinde ciddi yaralanmaya neden olabilir. Yakıtla uğraşırken daima dikkatli olun. Bina içinde yakıtla uğraşırken, havalandırmanın iyi olmasına dikkat edin.

Yakıt

- Daima 89 oktandır kurşunsuz, markalı benzin kullanın.
- Orijinal iki zamanlı yağ veya 25:1 ile 50:1 arasında bir karışım kullanın; oran için lütfen yağ şişesine bakın veya Hitachi satıcınıza danışın.
- Orijinal yağ yoksa, hava ile soğutulmuş 2 zamanlı motor kullanımına yönelik üretilmiş açıkça ifade edilmiş olan, antioksidan katkılı kaliteli bir yağ kullanın (JASO FC GRADE OIL veya ISO EGC GRADE). BIA veya TCW (2-vuruşlu su soğutmalı tip) karışımı yağ kullanmayın.
- Kesinlikle dört zamanlı motor yağı veya atık yağ için kullanmayın.
- Daima yakıtı ve yağı ayrı ve temiz bir kapta karıştırın.

Daima, kullanılacak yakıt miktarının yarısını doldurarak başlayın. Daha sonra yağ miktarının tamamını ekleyin. Yakıt karışımını çalkalayın. Kalan benzin miktarını ekleyin. Depoya doldurmadan önce yakıt karışımını iyice çalkalayın.

Yakıt doldurma**UYARI**

- Daima yakıt takviyesi yapmadan önce motoru kapatın ve birkaç dakika soğumasını bekleyin.
- Olası bir aşırı basıncın giderilmesi için, yakıt doldurma sırasında yakıt deposunu yavaşça açın.
- Yakıt doldurduktan sonra yakıt kapağını dikkatli bir şekilde kapatın.
- Çalıştırmadan önce, makineyi yakıt doldurma alanının en az 3 metre dışına çıkarın.
- Yakıtla uğraşırken veya yakıt doldururken sigara içmeyin ve/veya yakıtın yakınında alev veya kıvılcımların oluşmasına dikkat edin.
- Giysilere dökülen yakıtı derhal sabunlu suyla yıkayarak temizleyin.
- Yakıtı doldurduktan sonra, herhangi bir yakıt sızıntısı olup olmadığını mutlaka kontrol edin.

Yakıtı doldurmadan önce, depo kapağı alanını dikkatlice temizleyin ve depoya herhangi bir pislik düşmediğinden emin olun. Yakıtı doldurmadan önce, kabı sallayarak yakıtı iyice karıştırın.

Çalıştırma**UYARI**

Eğer boru veya koruyucu ağ engellenmişse makineyi çalıştırmayın.

1. Düşmeyi (7) AÇIK konuma getirin. (Şekil 4)
- * El pompasını (8), dönüş borusundan (9) yakıt akana kadar bir kaç kez pompalayın. (Şekil 5).
2. Jikle kolunu CLOSED (kapalı) konuma getirin. (Şekil 6)
3. Marş ipini hızla çekin; tutamacı sıkı tutun ve geri gitmesine izin vermeyin. (Şekil 7)
4. Motorun çalışmak üzere olduğunu anladığınızda, jikleji RUN (çalış) konumuna getirin. Çalıştırma ipini tekrar hızla çekin.

UYARI

- Motoru kesinlikle kapalı bir odada veya binada ve / veya yanıcı bir sıvının yakınında çalıştırmayın ve kullanmayın. Egzoz gazlarının solunması ölüme yol açabilir.
- İpin geri gitmesine izin vermeyin ve her zaman üniteyi sıkı bir şekilde tutun.

NOT

Eğer motor çalışmazsa, 2 ila 4 işlemlerini tekrarlayın.

5. Motor çalıştıktan sonra, gaz tetiğini çekerek gaz kilidini serbest bırakın. Daha sonra, motora yük vermeden önce 2–3 dakika çalıştırarak ısıtın.
* Eğer motor durursa ve tekrar çalıştırmakta zorlanırsanız, yeniden denemeden önce soğumasına izin verin.

Üfleyciyi çalıştırma (Şekil 8)

- Yaprak ve kuru otları üfleme için düşük hız kullanılmalıdır.
- Islak yaprakları ve otları temizlemek için orta hız kullanılmalıdır.
- Kum, kir ve diğer ağır malzemeleri taşımak için yüksek hız kullanılmalıdır.

⚠️ UYARI

- Havayı insanlara veya hayvanlara doğru çevirerek boşaltmayın.
- Birim iyi havalandırılmış alanlarda çalıştırılmaldır.
- Motor çalışır durumdayken kesinlikle montaj veya demontaj işlemleri uygulamayın aksi takdirde ciddi kişisel yaralanmalara sebebiyet verebilirsiniz.
- Susturucuya, bujiye veya diğer metalik parçalara kesinlikle motor çalışırken veya kapandıktan hemen sonra dokunmayın.

UYARI

Bu üfleyci bütün üfleme boruları takılı olarak kullanılmak üzere tasarlanmış ve ayarlanmıştır. Kesinlikle düz boru ve konik boru olmadan çalıştırılmamalıdır.

Durdurma (Şekil 9)

Motor hızını düşürün ve bir kaç dakika boşa çalıştırın, daha sonra ateşleme düğmesini kapatın.

BAKIM

EMİSYON KONTROL CİHAZLARININ VE SİSTEMLERİNİN BAKIMI, YENİLENMESİ VEYA ONARIMI, HERHANGİ BİR KARAYOLU HARİCİ MOTOR ONARIM KURUMU YA DA KİŞİSİ TARAFINDAN GERÇEKLEŞTİRİLEBİLİR.

Karbüratörün ayarlanması (Şekil 10)

Karbüratörde yakıt hava ile karışır. Motor fabrikada test amaçlı çalıştırılırken karbüratörün temel ayarı yapılır. Ancak iklime ve rakıma göre ilave bir ayar yapılması gerekebilir. Karbüratör, bir ayarlamaya imkanına sahiptir:

T = Rölanti hızı ayar vidası.

Rölanti hızı ayarı (T)

Hava filtresinin temiz olup olmadığını kontrol edin. Eğer ayar gerekiyorsa, motor hızını artırmak için RÖLANTI hızı Ayar Vidasını (T) kapama yönüne (saat yönüne), motor hızını düşürmek için açma yönüne (ters saat yönüne) çevirin. Standart Rölanti devri 2800–3200 devir/dakika'dır.

ÖNERİ

KARBÜRATÖR AYARININ YAPILMASI İÇİN DENEYİMLİ VEYA EĞİTİMLİ KİŞİLER GEREKMEKTEDİR; BİRİMİN HİTACHI SATICISINA GÖTÜRÜLMESİ ÖNERİLİR.

Hava filtresi (Şekil 11)

Hava filtresi aşağıdaki durumlara meydan vermemek için toz ve kirden arındırılmaldır:

- Karbüratör arızası
- Çalıştırma problemleri
- Motor gücünün düşmesi
- Motor parçalarının gereksiz yere aşınması
- Anormal yakıt tüketimi

Hava filtresi kapağını üstteki tırnağı itip geri çekerek çıkarın.

Özellikle tozlu bir bölgede çalışıyorsanız, hava filtresini her gün ya da günde birkaç kez temizleyin.

Hava filtresinin temizlenmesi

Hava filtresi kapağını ve filtresi açın. İlik sabunlu suyla yıkayın. Tekrar takmadan önce filtresin kuru olduğundan emin olun. Bir süre kullanılan hava filtresi tamamen temizlenemez. Bu nedenle, düzenli olarak yenisiyle değiştirilmelidir. Hasar gören filtre mutlaka değiştirilmelidir.

Yakıt filtresi (Şekil 12)

Yakıt deposundaki bütün yakıtı boşaltın ve yakıt filtre hıattını depodan çekin. Filtre elemanını tertibattan çekip çıkarın ve elemanı deterjanlı ılık suda yıkayın.

Deterjan tamamen temizleninceye kadar iyice durulayın. Burmadan sıkarak fazla suyu giderin ve elemanın havanın etkisiyle kurumasını bekleyin.

NOT

Eleman aşırı kir birikmesinden dolayı sertleşmişse, değiştirin.

Buji (Şekil 13)

Buji aşağıdakiler nedeniyle zarar görebilir:

- Yanlış karbüratör ayarı
 - Yanlış yakıt karışımı (benzine fazla yağ katılması)
 - Kirli bir hava filtresi
 - Sert çalışma koşulları (örneğin, soğuk hava)
- Bu faktörler buji elektrotlarında birikintiler oluşmasına ve dolayısıyla arızaya ve çalıştırma zorluklarına neden olabilir. Motorun gücü zayıf, başlatılması zorlaşmışsa ya da rölantide zayıf bir şekilde çalışıyorsa, öncelikle bujiyi kontrol edin. Buji kirli ise temizleyin ve elektrot tırnak açıklığını kontrol edin. Gerekirse yeniden ayarlayın. Doğru boşluk 0,6 mm'dir. Buji 100 çalışma saatinden sonra ya da elektrotlar aşınmışsa daha erken bir zamanda yenisi ile değiştirilmelidir.

NOT

Bazı bölgelerdeki kanunlar, ateşlemenin kontrol edilmesi için dirençli buji kullanılmasını gerektirmektedir. Makinenizde dirençli buji varsa, eskiyen bujiyi yine aynı tipte buji ile değiştirin.

Bakım programı

Aşağıda bazı temel bakım talimatları bulacaksınız. Daha fazla bilgi için, lütfen Hitachi satıcınıza irtibata geçin.

Günlük bakım

- Makinenin dış yüzeyini temizleyin.
- Hasar ve çatlama ile ilgili olarak toz kapağını kontrol edin. Darbe ve çatlama olması durumunda kapağı değiştirin.
- Somunların ve vidaların yeterince sıkıldıklarından emin olun.

Haftalık bakım

- Marş motorunu, özellikle kordonu kontrol edin.
- Bujinin dış kısmını temizleyin.
- Bujiyi çıkarın ve elektrot tırnak açıklığını kontrol edin. Tırnak açıklığını 0,6 mm'ye ayarlayın veya bujiyi değiştirin.
- Hava filtresinin temizlenmesi.

Aylık bakım

- Yakıt deposunu benzinle çalkalayın ve yakıt filtresini temizleyin.
- Karbüratörün dış kısmını ve etrafını temizleyin.

3 aylık bakım

- Silindir üzerindeki soğutma kanatlarını temizleyin.
- Fanı ve etrafındaki alanı temizleyin.
- Karbon susturucuyu temizleyin.

UYARI




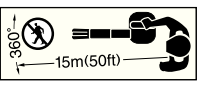



Silindir kanatlarının, fanın ve susturucunun temizliği, yetkili bir Hitachi Servis Merkezi tarafından yapılmalıdır.

NOT

En yakın bayiinize parça siparişi verirken, lütfen bu kullanım kılavuzunun 'Parça Arızaları' kısmında belirtilen Parça Numarasını kullanınız.

SENSUL SIMBOLURILOR

NOTĂ: Unele unități nu le prezintă.

	<p>Simboluri ⚠️ AVERTISMENT În cele ce urmează sunt prezentate simbolurile folosite pentru mașină. Înainte de utilizare, asigurați-vă că înțelegeți semnificația acestora.</p>		
	<p>Este foarte important să citiți, să înțelegeți pe deplin și să respectați următoarele măsuri de precauție și avertismente. Utilizarea neglijentă sau improprie a dispozitivului poate cauza răni grave sau fatale.</p>		<p>AVERTISMENT ⚠️ PERICOL Suprafețe fierbinți; Toba de evacuare și învelișul acesteia pot deveni foarte de fierbinți. Stați întotdeauna la distanță de zona țevii de eșapament și a amortizorului de zgomot, căci în caz contrar pot să se producă grave vătămări corporale.</p>
	<p>Citiți, conștientizați și respectați toate avertismentele și instrucțiunile din acest manual și de pe dispozitiv.</p>		<p>Păstrați copiii, privitorii și ajutoarele la o distanță de 15 m de unitate. În cazul în care o persoană se apropie de dumneavoastră, opriți imediat motorul.</p>
	<p>Purtați întotdeauna echipament de protecție a ochilor, capului și urechilor, atunci când folosiți dispozitivul.</p>		<p>Purtați încălțăminte robustă și antiderapantă.</p>
	<p>AVERTISMENT ⚠️ PERICOL Păstrați mâinile la distanță de ventilatorul pornit.</p>		

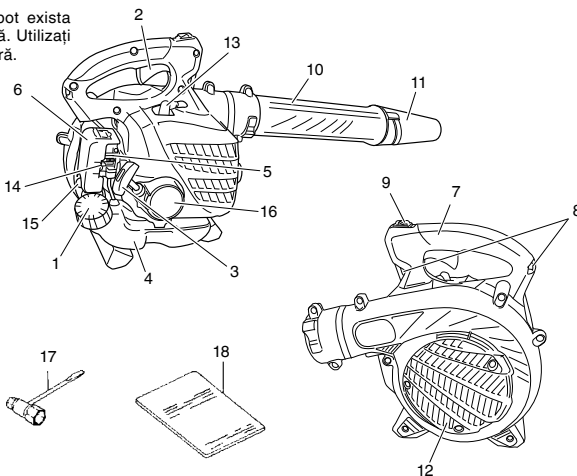
Cuprins

CE ȘI CE ESTE	35	PROCEDURI DE ASAMBLARE	37
AVERTISMENTE ȘI INSTRUCȚIUNI DE SIGURANȚĂ	36	PROCEDURI DE OPERARE	37
SPECIFICATIILE	37	ÎNTREȚINERE	38

CE ȘI CE ESTE

Întrucât prezentul manual acoperă mai multe modele, pot exista unele diferențe între fotografie și aparatul dumneavoastră. Utilizați instrucțiunile care sunt aplicabile aparatului dumneavoastră.

1. Capac carburant
2. Manetă de gaz (acelașie)
3. Buton starter
4. Rezervor carburant
5. Anexa tăietoare
6. Epurator aer
7. Mâner
8. Ureche suspensie
9. Întrerupător aprindere
10. Tub drept
11. Tub conic
12. Rețea de protecție
13. Bujie
14. Colier cablu
15. Mâner clapetă de alimentare cu combustibil
16. Demaror mecanic
17. Set combi chei
18. Instrucțiuni de utilizare



AVERTISMENTE ȘI INSTRUCȚIUNI DE SIGURANȚĂ

Siguranța operatorului

- În timpul operării, ar trebui purtată o mască tip filtru pentru praf.
- Purtați întotdeauna mască de protecție sau ochelari de protecție.
- Purtați întotdeauna pantaloni lungi, strâmți, ghețe și mănuși. Nu purtați haine largi, bijuterii, pantaloni scurți, sandale sau nu lucrați desculți. Asigurați-vă că aveți părul strâns astfel încât să nu vă depășească umerii.
- Nu folosiți acest aparat când sînteți obosit, bolnav sau vă aflați sub influența alcoolului, a drogurilor sau medicamentelor.
- Nu lăsați aparatul la îndemîna copiilor sau a persoanelor fără experiență.
- Purtați căști de protecție antifonică. Fiți atent la lucrurile din jur. Fiți atent la orice persoană din preajmă, care v-ar putea atenționa asupra unei probleme. Dezbrăcați echipamentul de protecție imediat după oprirea motorului.
- Cască de protecție.
- Nu porniți și nu mențineți în funcțiune motorul în spațiul închis al unei camere sau clădiri. Inhalarea gazelor de eșapament poate ucide.
- Asigurați-vă că mînerul nu prezintă urme de ulei sau de carburant.
- Păstrați mîinile la distanță de piesele în mișcare și de zona fierbinte.
- Nu apucați și nu țineți dispozitivul de tubul suflant.
- Atunci când dispozitivul este oprit, asigurați-vă că motorul a fost oprit înainte ca dispozitivul să fie așezat deoparte.
- Dacă perioada de exploatare se prelungeste, faceți pauză la anumite intervale, pentru a evita sindromul de tremur al mîinii și brațului (STMB), cauzat de vibrații.

AVERTISMENT

- Sistemele antivibrații nu garantează că nu veți suferi de sindromul de tremur al mîinii și brațului sau sindromul canalului carpien. Din acest motiv, cei care folosesc frecvent sau în mod regulat aparatul, își vor supraveghea îndeaproape starea mîinilor și a degetelor. În cazul apariției oricăruia simptom menționat mai sus, adresați-vă urgent medicului.
- Dacă folosiți un dispozitiv medical electric / electronic ca de exemplu, un pacemaker, consultați-vă medicul și, de asemenea, producătorul dispozitivului înainte de a folosi orice echipament electric.

Siguranța unității/aparatului

- Înaintea fiecărei utilizări, verificați integral dispozitivul/aparatul. Înlocuiți piesele afectate. Verificați dacă nu există scurgeri de carburant și asigurați-vă că toate elementele de fixare sînt în bună ordine și strînse corespunzător.
- Înlocuiți piesele fisurate, ciobite sau deteriorate în orice fel, înainte de a folosi dispozitivul/aparatul.
- Asigurați-vă că garda de protecție este corect atașată.
- Stați departe de ceilalți, cînd reglați carburatorul.
- Folosiți numai accesoriile recomandate de fabricant pentru acest dispozitiv/aparat.

AVERTISMENT

Nu modificați niciodată, în niciun fel, dispozitivul/aparatul. Nu folosiți dispozitivul/aparatul pentru alte operațiuni decît cele pentru care este destinat.

Siguranța carburantului

- Carburantul conține substanțe extrem de inflamabile și este posibil să se ajungă la vătămări grave ale sănătății la inhalarea sau vărsarea pe corpul dv. Fiți întotdeauna atenți atunci cînd manipulați carburanți. Trebuie întotdeauna să existe o bună ventilație în cazul în care se manipulează carburanți în interiorul clădirilor.
- Amestecați și turnați carburantul în spațiu liber, ferit de scînteii sau flacără deschisă.
- Folosiți un rezervor aprobat pentru carburant.
- Nu fumați și nu permiteți fumatul în apropierea carburantului sau de dispozitiv/aparat.
- Ștergeți toate picăturile de carburant înainte de a porni motorul.

- Îndepărtați-vă la cel puțin 3 m de locul de alimentare cu carburant înainte de a porni motorul.
- Opriți motorul înainte de a demonta bușonul rezervorului de carburant.
- Goliți rezervorul de carburant înainte de a depozita dispozitivul/aparatul. Se recomandă golirea de carburant după fiecare utilizare. Dacă se lasă carburant în rezervor, depozitați aparatul în așa fel încît carburantul să nu curgă.
- Depozitați dispozitivul/aparatul și carburantul în locuri în care vaporii de carburant nu pot intra în contact cu scînteii sau flăcări deschise de la dispozitive de încălzire a apei, motoare electrice, comutatoare sau cuptoare etc.

AVERTISMENT

Carburantul poate lua foc sau exploda sau fi inhalat foarte ușor, din care motiv fiți foarte atenți la manevrarea sau alimentarea carburantului.

Siguranța la sulfare

- Folosiți unitatea/aparatul numai la ore rezonabile – nu dimineața devreme sau tîrziu în noapte cînd unele persoane pot fi deranjate. Respectați orele prevăzute în legislația locală. Recomandările obișnuite sînt între 9:00 a.m. și 5:00 p.m., de luni pînă sîmbătă.
- Nu orientați niciodată aerul suflat cître cei aflați în vecinătate și nici nu permiteți accesul persoanelor în spațiul de lucru. Utilizați cu grijă la sulfare pentru a evita elementele din sticlă, automobilele etc.
- Păstrați-vă concentrarea pentru a ține cont de trotuarele accidentate, gropi sau alte circumstanțe instabile atunci cînd utilizați dispozitivul.
- Luați toate măsurile de precauție posibile atunci cînd lăsați dispozitivul nesupravegheat, cum ar fi oprirea motorului.
- Nu utilizați niciodată dispozitivul fără protecție, tuburile suflante și celelalte dispozitive de protecție montate. (Dacă este dotat corespunzător.)
- Nu permiteți copiilor, animalelor, privitorilor și ajutoarelor să depășească zona de protecție de 15 m. Opriți imediat motorul, dacă cineva se apropie de Dumneavoastră.
- Țineți întotdeauna motorul în partea dreaptă a trupului dumneavoastră.
- Fixați-vă bine pe picioare și controlați-vă echilibrul. Nu vă întindeți.
- Păstrați orice parte a corpului la distanță de țeava eșapament.
- Purtați întotdeauna o trusă de prim-ajutor, cînd lucrați cu un echipament electric.
- Nu porniți și nu folosiți niciodată motorul în spațiu închis sau clădire și/sau în apropierea unor lichide inflamabile. Inhalarea gazelor de eșapament poate ucide.

Siguranța mentenanței

- Întrețineți dispozitivul/aparatul conform procedurilor recomandate.
- Deconectați bujia înainte de a efectua operațiunile de întreținere, exceptînd reglarea carburatorului.
- Stați departe de ceilalți, cînd reglați carburatorul.
- Folosiți numai piese originale Hitachi conform recomandărilor producătorului.

ATENȚIE

Nu dezasmblați butonul de pornire recul. Riscați să fiți rînit de arcul de recul.

Transport și depozitarea

- Transportați unitatea/aparatul în mînă, cu motorul oprit și toba îndepărtată de corp.
- Permiteți motorului să se răcească, goliți rezervorul de carburant și securizați unitatea/aparatul înainte de a-l depozita sau a-l transporta într-un vehicul.
- Goliți rezervorul de carburant înainte de a depozita dispozitivul/aparatul. Se recomandă golirea de carburant după fiecare utilizare. Dacă se lasă carburant în rezervor, depozitați aparatul în așa fel încît carburantul să nu curgă.
- Depozitați unitatea/aparatul astfel încît să nu se afle la îndemîna copiilor.
- Curățați și păstrați atent unitatea și depozitați-o într-un spațiu uscat.

- Verificați dacă comutatorul motorului este închis pe durata transportului sau a depozitării.

Dacă apar situații neprevăzute în manualul de față, conduceți-vă de bunul simț. Contactați distribuitorul Hitachi dacă aveți nevoie de asistență. Accordați o atenție deosebită pasajelor precedate de următoarele cuvinte:

⚠️ AVERTISMENT

Indică o posibilitate sporită de leziuni grave sau pierderea vieții, dacă nu sînt urmate instrucțiunile.

ATENȚIE

Indică o posibilitate sporită de leziuni grave personale sau avarieri ale echipamentului, dacă nu sînt urmate instrucțiunile.

NOTĂ

Informații utile pentru funcționare și utilizare corectă.

SPECIFICATIILE

Model	RB24EAP/RB24EA
Capacitatea motorului (ml)	23,9
Bujie	NGK BMR7A
Greutate netă (kg)	3,9
Capacitatea rezervorului de carburant (l)	0,52
Nivel presiune sunet LpA (dB(A)) conf. ISO22868	By ANSI 69*2 By CEN 87*1
Reducerea (dB(A))	1,8**
Nivel putere zgomot Lw măsurat (dB(A)) conf. ISO22868	107**
Nivel putere sunet LwA (db(A)) conf. 2000/14/EC	109**
Nivel vibrații (m/s ²) conf. ISO22867	12
Reducerea (m/s ²)	1,0

*1: Nivelul de zgomot/nivelul de vibrații echivalent se calculează ca totalul energiei medii ponderate în timp a nivelurilor de zgomot/vibrații, în diverse condiții de lucru, cu următoarea distribuție temporală: 1/7 în gol, 6/7 ambalat.

*2: ANSI B175.2

* Toate datele pot fi modificate fără preaviz.

PROCEDURI DE ASAMBLARE

Tuburi suflante la corpul principal (Fig. 1)

Verificați corpul principal și accesoriile.

Conectați ferm tubul drept (1). Aliniați porțiunea proeminentă (2) în tubul drept cu canelura (3) pe carcasa suflantei și faceți să alunece tubul în carcasa suflantei.

Rotiți tubul în sensul acelor de ceasornic pentru a se bloca în locul său.

Tubul conic la tubul drept (Fig. 2)

- Aliniați canelura (5) la tubul conic (6) și partea proeminentă (4) la tubul drept (1) și rotiți tubul conic în locul său.

PROCEDURI DE OPERARE

Carburant (Fig. 3)

⚠️ AVERTISMENT

- Unitatea/aparatul este echipat/ă cu un motor în doi timpi. Întotdeauna puneți în funcțiune motorul numai cu carburant în care s-a amestecat ulei.
- La alimentarea cu carburant sau la manipularea acestuia, asigurați o bună ventilație.
- Carburantul este foarte inflamabil și există riscul de vătămare corporală gravă dacă este inhalat sau vărsat pe corp. La manipularea carburantului fiți întotdeauna atenți. Asigurați întotdeauna o bună ventilație, când manipulați carburantul într-un spațiu închis.

Carburant

- Folosiți întotdeauna benzină cu cifra octanică 89, fără plumb.
- Folosiți ulei original pentru motoare în doi timpi sau folosiți un amestec între 25:1 până la 50:1. Pentru proporție consultați, vă rugăm, recipientul cu ulei sau distribuitorul Hitachi.
- Dacă nu dispuneți de ulei original, folosiți un ulei de calitate, cu aditivi antioxidanți, recomandat pentru motoarele în 2 timpi cu răcire pe aer (JASO FC GRADE OIL sau ISO EGC GRADE). Nu folosiți amestecul de ulei BIA sau TCW (pentru motor în doi timpi, cu răcire pe apă).
- Nu folosiți niciodată ulei pentru motoare în patru timpi sau ulei uzat.
- Întotdeauna amestecați carburantul și uleiul într-un recipient curat.

Începeți întotdeauna prin a umple rezervorul cu jumătate din cantitatea totală de carburant care urmează să fie folosit. Adăugați apoi toată cantitatea de ulei. Amestecați (prin scuturare) mixtura de carburant. Adăugați cantitatea rămasă de carburant. Amestecați (scuturați) bine amestecul de carburant înainte de a umple complet rezervorul.

Alimentarea cu carburant

⚠️ AVERTISMENT

- Înainte de realimentare, opriți întotdeauna aparatul și lăsați-l să se răcească timp de câteva minute.
- Când rezervorul de carburant este plin, deschideți încet rezervorul de carburant, pentru a se elimina posibila suprapresiune.
- Stringeți cu atenție capacul rezervorului, după alimentarea cu carburant.
- Mutați întotdeauna aparatul la cel puțin 3 m de la zona de alimentare cu combustibil înainte de demarare.
- Nu fumați și/sau nu permiteți flăcărilor sau scânteilor să ajungă în apropierea carburantului în timpul manipulării sau alimentării cu carburant.
- Spălați imediat cu săpun orice strop de carburant de pe haine.
- După realimentare, verificați să nu existe scurgeri de carburant.

Înainte de realimentare, curățați zona bușonului rezervorului de carburant, pentru a vă asigura că în rezervor nu pătrund impurități (gunoarie). Înainte de alimentare, scuturați recipientul pentru a asigura o bună amestecare a carburantului.

Demarare

ATENȚIE

Nu porniți aparatul dacă tubul și rețeaua de protecție sunt obstrucționate.

- Asigurați-vă că întrerupătorul (7) se află în poziția ON („închis”) (Fig. 4).
* Apăsați de mai multe ori para (8) pentru injecția de carburant pentru pornire așa încât să curgă carburant prin conducta de retur (9) (Fig. 5)
- Aduceți maneta clapetelor de pornire (șocul) în poziția CLOSED (închis). (Fig. 6)
- Trageți șnurul starterului, având grijă să țineți în continuare mânerul ferm, nepermițându-i să sară înapoi. (Fig. 7)

4. Când auziți motorul că vrea să pornească, readuceți mânerul clapetei de pornire (șocul) în poziția RUN (deschis). Apoi trageți din nou brusc de șnurul starterului.

AVERTISMENT

- Niciodată să nu porniți sau să utilizați motorul într-un spațiu închis sau într-o clădire și/sau în apropiere de lichide inflamabile. Inhalarea gazelor de eșapament poate să producă moartea.
- Nu permiteți șnurului să sară înapoi și întotdeauna trebuie să țineți mașina ferm.

NOTĂ

Dacă motorul nu demarează, repetați procedurile de la 2 la 4.

5. După ce motorul a pornit, trageți de maneta de accelerație pentru a elibera blocarea accelerației. Apoi permiteți-i motorului să se încălzească 2-3 minute înainte de a-l supune la orice sarcină.

* Dacă motorul se oprește și nu poate fi repornit ușor lăsați-l să se răcească înainte de a-l reporni.

Manevrarea suflantei (Fig. 8)

- Pentru a sufla frunzele și iarba uscată ar trebui utilizată o viteză redusă.
- Pentru a curăța frunzele umede și iarba ar trebui utilizată o viteză medie.
- Pentru a înlătura pietriș sau alte materiale grele, ar trebui utilizată o viteză ridicată.

AVERTISMENT

- Nu orientați suflul de aer către persoane sau animale de companie.
- Dispozitivul ar trebui manevrat în zone bine aerisite.
- Nu efectuați niciodată operații de asamblare și dezasamblare dacă motorul funcționează, căci ar putea să se producă vătămări personale grave.
- Nu atingeți niciodată amortizorul de zgomot, bujia sau piese metalice în timp ce motorul este în funcțiune sau imediat după oprirea motorului.

AVERTIZARE

Această suflantă a fost proiectată și reglată pentru a fi utilizată cu toate tuburile suflante atașate. Nu folosiți niciodată aparatul fără tubul drept și tubul conic.

Oprirea (Fig. 9)

Micșorați turația motorului și lăsați-l să funcționeze în gol câteva minute, apoi închideți întrerupătorul aprinderii.

ÎNȚREȚINERE

ÎNȚREȚINEREA, ÎNLOCUIREA SAU REPARAREA DIPOZITIVULUI ȘI A SISTEMULUI DE CONTROL AL EMISIILOR POT FI EFECTUATE DE ORICE PERSOANĂ SAU ATELIER DE REPARAȚII MOTOARE NE-RUTIERE.

Ajustări ale carburatorului (Fig. 10)

În carburator, carburantul este amestecat cu aer. Când motorul este testat de probă la fabrică, carburatorul este ajustat. Pot fi necesare ajustări ulterioare, în funcție de climă și altitudine. Carburatorul are o singură posibilitate de ajustare:

T = Șurubul de ajustare a vitezei în gol.

Ajustare viteză în gol (T)

Verificați dacă filtrul de aer este curat. Dacă se impune un reglaj, strângeți (în sensul acelor de ceasornic) șurubul de reglare a vitezei la RALANTI (T) pentru a crește viteza motorului, slăbiți (în sens invers acelor de ceasornic), pentru a reduce viteza. RPM standard la ralanti este de 2800-3200 rpm.

RECOMANDARE

REGLAREA CARBURATORULUI NECESITĂ PREGĂTIREA UNUI PERSONAL CU EXPERIENȚĂ SAU INSTRUIRE ADECVATĂ; ESTE RECOMANDAT SĂ VĂ PREZENTAȚI CU DISPOZITIVUL LA UN DEALER HITACHI.

Filtrul de aer (Fig. 11)

Filtrul de aer trebuie curățat de praf și murdărie, pentru a evita:

- Proasta funcționare a carburatorului
 - Probleme la pornire
 - Reducerea puterii motorului
 - Uzura inutilă a pieselor motorului
 - Consumul anormal de carburant
- Înlăturați capacul filtrului de aer prin împingerea și tragerea capacului din partea superioară. Curățați filtrul de aer zilnic sau chiar mai des, atunci când se lucrează în zone cu mult praf.

Curățarea filtrului de aer

Deschideți capacul filtrului de aer și filtrul. Clătiți-le în soluție de apă caldă și săpun. Verificați ca filtrul să fie uscat înainte de reasamblare. Un filtru de aer care a fost folosit de ceva timp nu poate fi curățat complet. Din acest motiv, acesta trebuie înlocuit cu unul nou. Un filtru avariat trebuie întotdeauna înlocuit.

Filtrul de carburant (Fig. 12)

Scurgeți tot carburantul din rezervor și demontați linia de filtrullinia de carburant din rezervor. Demontați elementul de filtru din ansamblu și spălați elementul în apă caldă cu detergent. Clătiți temeinic până la eliminarea oricărei urme de detergent. Presați, nu stoarceți, îndepărtați excesul de apă și expuneți elementul la aer uscat.

NOTĂ

Dacă elementul este dur din cauza murdăriei excesive, înlocuiți-l.

Bujia (Fig. 13)

Condiția bujiei este influențată de:

- O setare incorectă a carburatorului
- Un amestec greșit de carburant (prea mult ulei în carburant)
- Un filtru de aer murdar
- Condiții dure de lucru (ca gerul de exemplu)

Acești factori cauzează depozitări pe electrozii bujiei, ceea ce poate conduce la o proastă funcționare și dificultăți de demarare. Dacă motorul se află sub tensiune redusă, demarează greu sau funcționează slab la viteza de rotație în gol, verificați în primul rând bujia. Dacă bujia este murdară, curățați-o și verificați golul electrodului. Reglați din nou, dacă este necesar. Distanța corectă este de 0,6 mm. Bujia de aprindere trebuie înlocuită după 100 de ore de exploatare sau mai curând, în cazul în care electrozii sunt puternic erodați.

NOTĂ

În unele regiuni, legile locale cer ca semnalele de igniție să fie suprimate de un rezistor de bujie. Dacă mașina a fost echipată din fabrică cu rezistor de bujie, folosiți la înlocuire același tip de bujie.

Program de întreținere

Veți găsi mai jos câteva instrucțiuni generale de întreținere. Pentru mai multe informații, vă rugăm să contactați un distribuitor Hitachi.

Întreținere zilnică

- Curățați exteriorul aparatului.
- Verificați capacul de praf de crăpături sau deteriorări. Schimbați capacul în cazul în care a suferit impacturi puternice sau dacă prezintă crăpături.
- Verificați ca piulițele și șuruburile să fie strânse suficient de tare.

Întreținere săptămânală

- Verifi cați sistemul de pornire, în mod special cablul.
- Curățați exteriorul bujiei.
- Înlăturați bujia și verifi cați golul electrodului. Ajustați-l la 0,6mm sau înlocuiți bujia.
- Curățarea filtrului de aer.

Întreținere lunară

- Clătiți rezervorul de combustibil cu benzină și curățați filtrul de combustibil.
- Curățați exteriorul carburatorului și spațiul din jurul acestuia.

Întreținere trimestrială

- Curățați aripioarele de răcire de pe cilindru.
- Curățați ventilatorul și spațiul din jurul acestuia.
- Curățați toba de eșapament de carbon.

ATENȚIE

Curățarea aripioarelor de răcire a cilindrului, a ventilatorului și a silențiatorului trebuie efectuată în Centrul de servicii autorizate Hitachi.

NOTĂ

În cazul în care comandați piese la cel mai apropiat distribuitor vă rugăm să utilizați numărul de articol din secțiunea cu lista componentelor din prezentele instrucțiuni.

POMEN SIMBOLOV

POMNI: Simboli niso označeni na vseh enotah.

	<p>Simboli ⚠ OPOZORILO V nadaljevanju so prikazani simboli, uporabljeni pri stroju. Pred uporabo se prepričajte, da jih razumete.</p>		
	<p>Pomembno: uporabnik mora natančno prebrati in upoštevati varnostne ukrepe in opozorila ter se posvetovati o vseh morebitnih dvomih v zvezi z varnostjo. Z nepravilno in neprevidno uporabo enote ustvarite nevarnost resnih in celo usodnih telesnih poškodb.</p>		<p>OPOZORILO ⚠ NEVARNOST Vroče površine: Dušilec in okoliški pokrov lahko postaneta zelo vroča. Izpuh in območje okoli dušilca morata biti prosta, sicer lahko pride do resnih telesnih poškodb.</p>
	<p>Preberite, se posvetujte o dvomih in upoštevajte vsa opozorila in navodila v tem priročniku in na enoti.</p>		<p>Vse otroke, gledalce in pomagače držite 15 m stran od enote. Če vam kdorkoli pristopi, takoj ustavite motor.</p>
	<p>Pred uporabo te naprave si mora uporabnik obvezno namestiti zaščito za oči, glavo in ušesa.</p>		<p>Nosite proti-dršno in vzdržljivo obutev.</p>
	<p>OPOZORILO ⚠ NEVARNOST Ne dotikajte se vrtečega se ventilatorja.</p>		

Kazalo

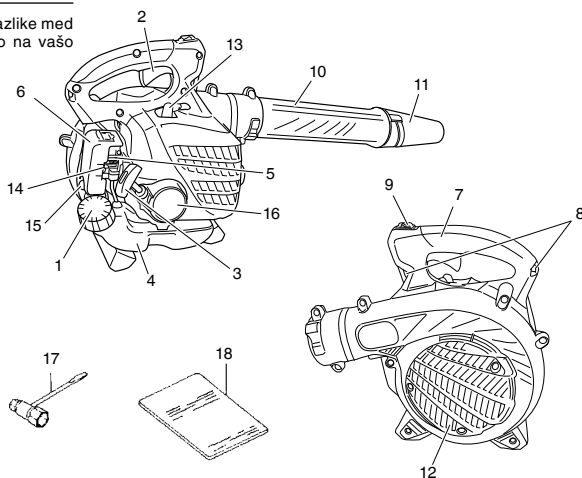
OPIS DELOV.....	40
OPOZORILA IN VARNOSTNA NAVODILA.....	41
SPECIFIKACIJE.....	42

POSTOPEK MONTAŽE.....	42
POSTOPEK UPRAVLJANJA.....	42
VZDRŽEVANJE.....	43

OPIS DELOV

Ker priročnik pokriva nekoliko modelov, lahko obstajajo razlike med SL mi in vašo enoto. Uporabite navodila, ki se nanašajo na vašo enoto.

1. Pokrov posode za gorivo
2. Ročica za plin
3. Ročica za zagon
4. Zaščita rezila
5. Uplinjač
6. Pogonska os
7. Ročica
8. Oko za ustavev
9. Stikalo za vžig
10. Ravna cev
11. Konična cev
12. Zaščitna mreža
13. Vžigalna svečka
14. Žična spona
15. Ročaj z ročico za plin
16. Odskočni zaganjač
17. Kjuva za privijanje
18. Navodila za rokovanje



OPOZORILA IN VARNOSTNA NAVODILA

Varnost upravljavca

- Med uporabo morate vedno nositi protiprašno filtrirno masko.
- Obvezna je uporaba zaščitne za obrab ali očal.
- Vedno nosite težke, dolge hlače, škornje in rokavice. Ni dovoljeno delati v ohlapnih oblačilih, z visečim nakitom, v kratkih hlačah, sandalih ali bos. Lase je treba speti nad ramena.
- Orodja ni dovoljeno uporabljati, če ste utrujeni ali pod vplivom alkohola, drog oz. zdravil.
- V nobenem primeru ni dovoljeno prepustiti dela s strojem otroku ali neizkušeni osebi.
- Uporabljajte zaščito za ušesa. Upošteвайте okolico. Bodite pozorni na ljudi v bližini, ki morda signalizirajo na težavo. Odstranite zaščitno opremo takoj potem ko ugasnete motor.
- Nosite zaščito za glavo.
- V nobenem primeru ni dovoljeno zagnati ali pustiti teči motor v zaprtem prostoru ali zgradbi. Vdihavanje izpuha je smrtno nevarno.
- Čistite ročaje, na katerih ne sme biti ostankov olja ali goriva.
- Ne dotikajte se gibljivih delov ali segrelih območij.
- Ne prijemajte ali držite enote za pihalno cev.
- Ko je enota ugasnjena, se, preden odložite enoto, prepričajte, da se je motor zaustavil.
- Ko gre za dolgotrajno delo, se občasno zaustavite in vzemite odmor, tako da preprečite morebitni sindrom tresenja roke (HAVS), ki se pojavi zaradi vibracij.

⚠️ OPOZORILO

- Sistemi proti vibracijam niso zadostno zagotovilo, da se ne bosta pojavila sindroma tresenja rok ali karpalnega tunela. Zato morajo upravljalci, ki dolgotrajno in redno uporabljajo enoto, sami nadzorovati stanje svojih rok in prstov. Če se pojavi kateri koli od zgornjih simptomov, takoj poiščite zdravniško pomoč.
- Če uporabljate kakršno koli medicinsko električno/elektronsko opremo, kot so spodbujevalniki za srce, se pred delom z električnim orodjem posvetujte s svojim zdravnikom in tudi z izdelovalcem opreme.

Varnost enote/stroja

- Pred vsako uporabo pregledajte enoto/stroj. Zamenjajte poškodovane dele. Preglejte, če morda uhaja gorivo, in se prepričajte, da so vsa pritrjena na mestu in ustrezno pritrjena.
- Preden zaženete enoto/stroj zamenjajte dele, ki so okrušeni, odlomljeni ali kakor koli poškodovani.
- Zagotovite da je varovalo za zaščito pravilno pripeto.
- Prepričite ostalim dostop v bližino, kjer nastavlja uplinjač.
- Uporabljajte le priključke, kot jih priporoča izdelovalec za to enoto/stroj.

⚠️ OPOZORILO

V nobenem primeru ni dovoljeno kakor koli spreminjati enote/stroja. Enote/stroja ni dovoljeno uporabljati za dela, za katera ni bil izdelan.

Varno z gorivom

- Gorivo je zelo vnetljivo; če ga vdihujete ali se razlije na telo, se lahko resno telesno poškodujete. Bodite previdni, ko ravnate z gorivom. Ko z gorivom ravnate v stavbi, poskrbite za dobro prezračevanje.
- Gorivo mešajte in nalivajte na prostem, kjer ni iskrenja in odprtega ognja.
- Uporabljajte posodo, ki je odobrena za gorivo.
- Ni dovoljeno kaditi ali dovoliti drugim kaditi v bližini goriva oz. enote/stroja ali med uporabo enote/stroja.
- Preden zaženete motor, obrišite vso razlito gorivo.
- Preden zaženete motor, se umaknite vsaj 3 m iz območja, kjer ste gorivo nalivali.
- Preden odstranite kapo za gorivo, zaustavite motor.
- Preden uskladiščite enoto/stroj, izpraznite posodo za gorivo. Priporočamo, da po vsaki uporabi iztočite gorivo. Če je v posodi gorivo, shranite tako, da gorivo ne izteka.
- Shranite enoto/stroj in gorivo v območje, kjer ni nevarnosti iskrenja in odprtega ognja iz vodnih grelnikov, električnih motorjev, stikal, peči itd.

⚠️ OPOZORILO

Gorivo je hitro vnetljivo in eksplozivno ter škodljivo za vdihavanje, zato delajte in nalivajte gorivo izredno previdno.

Varnost med pihanjem

- Z enoto/strojem ravnajte le v razumnem času - ne zgodaj zjutraj ali pozno ponoči, ko bi to lahko motilo druge ljudi. Upošteвайте čase, ki so določeni z lokalnimi uredbami. Ponavadi je priporočljivo med 9:00 in 17:00 uro, od ponedeljka do sobote,
- Nikoli ne usmerjajte izpusta zraka proti osebam v bližini in ne dovolite nikomur, da se približa območju uporabe. Bodite previdni pri usmerjanju izpusta, da se izognete steklenim površinam, avtomobilom itd.
- Ko uporabljate orodje, bodite pazljivi pri neravnih pločnikih, luknjah v terenu ali drugih nestabilnih pogojih.
- Izvedite vse možne varnostne ukrepe, ko puščate orodje, na primer, zaustavitev motorja.
- Nikoli ne upravljajte orodja brez nameščenih zaščit, pihalnih cevi ali drugih zaščitnih naprav. (če spadajo k opremljeni).
- Držite druge osebe, otroke, živali, prisotne osebe in pomočnike zunaj zone nevarnosti na 15 m. Takoj zaustavite stroj, če se vam kdo približa.
- Motor vedno držite na desni strani od svojega telesa.
- Ohranite trdno stojišče ter ravnatežje. Ne preseгаjte.
- Ne približujte delov telesa dušilniku.
- Pri delu z električno opremo imejte pri sebi obvezno prvo pomoč.
- V nobenem primeru ni dovoljeno zagnati motorja v zaprtem prostoru ali v stavbi in/ali v bližini vnetljivih tekočin. Vdihavanje izpuha je smrtno nevarno.

Varnost pri vzdrževanju

- Enoto/stroj vzdržujte v skladu s priporočenimi postopki.
- Preden se lotite vzdrževalnih del, odklopite svečko, razen če gre za nastavitve uplinjača.
- Prepričite ostalim dostop v bližino, kjer nastavljate uplinjač.
- Uporabljajte le originalne nadomestne dele Hitachi, kot jih priporoča izdelovalec.

POZOR

Ni dovoljeno razstaviti zaganjalnika. Nevarnost telesnih poškodb zaradi povratne vzmeti.

Transport in skladiščenje

- Preden enoto/stroj prenesete, zaustavite motor; med prenašanjem držite dušilca stran od telesa.
- Počakajte, da se motor ohladi, izpraznite posodo za gorivo in zavarujte enoto/stroj pred skladiščenjem ali prevozom v vozilu.
- Preden uskladiščite enoto/stroj, izpraznite posodo za gorivo. Priporočamo, da po vsaki uporabi iztočite gorivo. Če je v posodi gorivo, shranite tako, da gorivo ne izteka.
- Enoto/stroj skladiščite izven dosega otrok.
- Enoto pozorno očistite in opravite vzdrževalna dela ter shranite na suho.
- Pred prevozom ali skladiščenjem obvezno prestavite stikalo motorja na izklop.

V situacijah, ki niso opisane v tem priročniku, delajte previdno in razumno. Če rabite pomoč, se obrnite na svojega prodajalca Hitachi. Posebej skrbno upošteвайте trditve, kot sledi:

⚠️ OPOZORILO

Označuje veliko verjetnost resnih telesnih poškodb ali smrtno nevarnost, in sicer v primeru neupoštevanja navodil.

POZOR

Označuje verjetnost telesnih poškodb ali materialne škode, in sicer v primeru neupoštevanja navodil.

POMNI

Koristne informacije za pravilno delovanje in uporabo.

SPECIFIKACIJE

Model	RB24EAP/RB24EA
Velikost motorja (ml)	23,9
Svečka	NGK BMR7A
Suha teža (kg)	3,9
Prostornina posode za gorivo (l)	0,52
Nivo zvočnega tlaka LpA (dB(A)) skladno z ISO22868	By ANSI 69*2 By CEN 87*1
Negotovost (dB(A))	1,8*1
Zvočna moč Izmerjen LW(dB(A)) skladno z ISO22868	107*1
Zvočna moč LwA (dB(A)) skladno z 2000/14/EC	109*1
Raven vibracije (m/s ²) skladno z ISO22867	12
Negotovost (m/s ²)	1,0

*1: Enakovredne ravni hrupa/vibracije se izračunajo v smislu časovnega povprečja celotne energije v ravnih hrupa/vibracije v različnih delovnih pogojih in naslednjih časovnih razporeditvah: 1/7 prosti tek, 6/7 dirka.

*2: ANSI B175.2

* Vsi podatki so predmet sprememb brez obvestila.

POSTOPEK MONTAŽE

Pihalne cevi na osrednji del (Sl. 1)

Preverite osrednji del in dodatno opremo.

Trdno povežite ravno cev (1). Poravnajte vzboklino (2) v ravni cevi z zarezo (3) na ohišju ventilatorja in drsnite cev v ohišje ventilatorja. Obrnite cev v smeri urinih kazalcev, da bi jo zaklenili na mesto.

Konična cev na ravno cev (Sl. 2)

○ Poravnajte zarezo (5) na konični cevi (6) in vzboklino (4) na ravni cevi (1) in obrnite konično cev na mesto.

POSTOPEK UPRAVLJANJA

Gorivo (Sl. 3)**⚠ OPOZORILO**

- Enota/stroj je opremljena s dvotaktnim motorjem. Za pogon motorja obvezno uporabljajte gorivo, ki je mešano z oljem. Pri dolivanju ali delu z gorivom poskrbite za dobro zračenje.
- Gorivo je zelo vnetljivo. Če ga vdahneta ali polijete na svoje telo, lahko pride do resne poškodbe telesa. Ko rokujete z gorivom, bodite vedno pozorni. Vedno imejte dobro zračenje, če ravnate z gorivom v zgradbi.

Gorivo

- Obvezno uporabljajte 89-oktanski neosvinčen bencin.
- Uporabljajte dvociklično olje ali mešanico 25:1 do 50:1; za razmerje glejte na platenki za olje ali se posvetujte s prodajalcem Hitachi.

- Če originalno olje ni na voljo, uporabite antioksidativno kakovostno olje, ki je označeno za zračno hlajen dvociklični motor (JASO FC GRADE OIL ali ISO EGC GRADE). Ne uporabljajte mešanice olja BIA ali TCW (2-taktni tip na vodno hlajenje).
- Nikoli ne uporabljajte za olje štiriraktnega motorja ali odpadno olje.
- Obvezno mešajte gorivo in olje v ločeni čisti posodi.

Vedno začnite s polnjenjem pol količino goriva, ki bo uporabljeno. Potem dodajte vso količino olja. Zmešajte (stresite) mešanico goriva. Dolijte preostanek goriva. Zmešajte (stresite) mešanico goriva, preden jo nalijete v posodo za gorivo.

Nalivanje goriva**⚠ OPOZORILO**

- Vedno izklopite motor in pustite naj se na nekoliko minut ohladi, preden ga spet napolnite z gorivom.
- Ko dolivate gorivo, počasi odprite posodo za gorivo, tako da izginijo možni presežki pritiska.
- Potem ko dolijete gorivo, previdno privijte kapo za gorivo.
- Preden enoto zaženete, jo obvezno umaknite vsaj 3 m iz območja, kjer ste nalivali gorivo.
- Ne kadite in/ali ne dovolite, da ogenj ali iskre pridejo v bližino goriva, ko z njim ravnate ali ko ga nalivate.
- Vedno takoj operite razlito gorivo z oblačil z milom.
- Ne pozabite preveriti, če gorivo uhaja po oskrbi z gorivom.

Preden dolijete, natančno očistite območje okoli kape za posodo, tako da preprečite vdor umazanije v posodo. Obvezno dobro zmešajte gorivo tako, da stresete posodo, preden nalijete gorivo.

Zagon**POZOR**

Ne zaganjajte, če sta cev in zaščitna mreža ovirani.

1. Preverite ali je stikalo (7) na položaju Vklapljen. (Sl. 4)
* Večkrat pritisnite izboklino za vbrizgavanje (8) tako, da gorivo steče skozi povratno cev (9) (Sl. 5)
2. Ročko za hladni zagon motorja dajte v položaj CLOSED. (Sl. 6)
3. Hitro povlecite ročni zaganjalnik, pri čemer pazite, da imate ročič v dosegu in mu ne dovolite, da zagrabí nazaj. (Sl. 7)
4. Ko složi motor, da se zažene, ročko za hladni zagon motorja dajte v položaj RUN (odprto). Nato znova hitro potegnite ročni zaganjalnik.

⚠ OPOZORILO

- Motorja nikoli ne vklopite ali zaženite v zaprtem prostoru ali stavbi in/ali v bližini vnetljivih tekočin. Vdihavanje izpušnih dimov lahko ubije.
- Ne dovolite, da vrv udari nazaj in enoto vedno dobro držite.

POMNI

Če se motor ne zažene, ponovite navodila 2 do 4.

5. Po zagonu motorja povlecite za ročko za plin, da bi izpustili varnostno zaporo plina. Preden motor obremenite, ga pustite teči okoli 2 do 3 minute, da se segreje.
* Če se motor ustavi in ga je težko takoj ponovno zagoniti, pustite naj se ohladi, preden poskušate znova.

Upravljanje pihalnika (Sl. 8)

- Za pihanje listov in suhe trave uporabljajte nizko hitrost.
- Za čiščenje mokrih listov in trave uporabljajte srednjo hitrost.
- Ko premikate pesek, umazanijo ali druge težke materiale, uporabljajte visoko hitrost.

⚠ OPOZORILO

- Ne usmerjajte izpusta zraka proti ljudem ali živalim.
- Enoto uporabljajte samo v dobro prezračenih območjih.
- Montaže in demontaže ne izvajajte, ko motor teče, saj lahko pride do resnih poškodb.
- Dušilca, vžigalne svečke ali drugih kovinskih delov se nikoli ne dotikajte, ko motor teče ali takoj, ko ste zaustavili motor.

POZOR

Ta pihalnik je bil narejen in prilagojen za uporabo z vsemi pripetimi pihalnimi cevmi. Nikoli ne sme delati brez ravne in konične cevi.

Ugašanje motorja (Sl. 9)

Zmanjšajte hitrost motorja in pustite, da motor nekaj minut teče v prostem teku, nato stikalo za vžig ugasnite.

VZDRŽEVANJE

VZDRŽEVANJE, ZAMENJAVA ALI POPRAVILA NAPRAVE ZA NADZIRANJE EMISIJ IN SISTEMA LAHKO OPRAVIJO NA KATEREM KOLI NECESTNEM SERVISU ALI TA DELA UPRAVI STROKOVNO USPOSOBLJEN SERVISER.

Nastavitev uplinjača (Sl. 10)

V uplinjaču je gorivo zmešano z zrakom. Med testnim zagonom in tekom motorja v tovarni, nastavijo tudi uplinjač. Po potrebi ga je treba dodatno nastaviti, in sicer ustrezno klimatskim in višinskim pogojem. Uplinjač ima eno nastavitveno možnost:

T = vijak za nastavitev hitrosti v prostem teku.

Nastavitev hitrosti v prostem teku (T)

Preverite ali je zračni filter čisti. Če je potrebna prilagoditev, obrnite vijak (T) za prilagojevanje hitrosti PROSTI TEK tako da ga zaprete (v smeri urinih kazalcev) da bi povečali število vrtljajev na minuto motorja; tako da ga odprete (v nasprotni smeri od smeri urinih kazalcev) da bi zmanjšali število vrtljajev na minuto motorja. Standardno število vrtljajev na minuto prostega teka je 2800-3200 vrt/min.

PRIPOROČILO:

PRILAGODITEV UPLINJAČA ZAHTEVA ZNANJE IZKUŠENE ALI DOBRO USPOSOBLJENE OSEBE, PRIPOROČLJIVO PA JE, DA ODNESETE ENOTO PRODAJALCU ZNAMKE HITACHI.

Zračni filter (Sl. 11)

Z zračnega filtra je treba očistiti prah in umazanijo, tako da se prepričate:

- Okvare uplinjača
- Težave ob zagonu
- Zmanjšanje moči motorja
- Nepotrebno obrabo motornih delov
- Nenormalno porabo goriva

Odstranite protiprašni pokrov, tako da potisnete in potegneta nazaj jeziček na vrhu.

Zračni filter očistite vsak dan in še bolj pogosto, ko delate v posebej prašnem delovnem okolju.

Čiščenje zračnega filtra

Odpriete pokrov filtra za zrak in filter. Sperite te dele v topli milnici. Preden ponovno sestavite, se prepričajte, da je filter suh. Zračni filter, ki ga uporabljate že nekaj časa, ni možno očistiti do konca. Zato ga je treba redno menjati. Poškodovani filter je treba zamenjati.

Filter za gorivo (Sl. 12)

Pustite naj gorivo izteče iz posode za gorive in povlecite linijo filtra za gorivo iz posode. Povlecite element filtra iz sklopa držala, ter izperite element v topli vodi s čistilnim sredstvom.

Natančno izperite dokler ne izginejo vsi tragi čistilnega sredstva. Ožemite, ampak ne premočno, odstranite presežek vode in pustite element naj se posuši na zraku.

POMNI

Če je element trd zaradi preveč umazanije na njemu, ga zamenjajte.

Svečka (Sl. 13)

Na stanje svečke vpliva:

- Nepravilna nastavitve uplinjača
- Nepravilna mešanica goriva (preveč olja v bencinu)
- Onesnažen filter zraka
- Težki pogoji dela (kot je mraz)

Ti dejavniki so vzrok za usedline na elektrodah svečke, ki pomenijo nevarnost okvare in težav pri zagonu. Če motor deluje z zmanjšano močjo, se oteženo zaganja ali slabo teče pri hitrosti v prostem teku, obvezno najprej preglejte svečko. Onesnaženo svečko očistite in preglejte rezo elektrode. Ponovno prilagodite, če je to potrebno. Pravilen medprostor je 0,6 mm. Svečka se mora zamenjati po približno 100 delovnih urah ali prej, če so elektrode zelo erodirane.

POMNI

V določenih območjih je treba v skladu z lokalno zakonodajo namestiti rezistoro svečko, tako da se zadušijo signali vžiga. Če je stroj v originalu opremljen z rezistoro svečko, zamenjajte s svečko enake vrste.

Načrt vzdrževanja

V nadaljevanju so splošna navodila o vzdrževanju. Za dodatne informacije se obrnite na prodajalca Hitachi.

Dnevno vzdrževanje

- Očistite zunanjo površino enote.
- Preverite protiprašni pokrov glede poškodb ali razpok. Zamenjajte pokrov v primeru poškodb ali razpok.
- Preglejte, če so matice in vijaki ustrezno priviti.

Tedensko vzdrževanje

- Preverite zaganjalnika, posebno žico.
- Očistite zunanjo površino svečke.
- Vzemite ven svečko in preglejte rezo elektrode. Režo nastavite na 0,6 mm ali zamenjajte svečko.
- Očistite zračni filter.

Mesečno vzdrževanje

- Posodo za gorivo sperite z bencinom in očistite filter za gorivo.
- Očistite zunanjo površino uplinjača in območje okoli uplinjača.

Četrtno vzdrževanje

- Očistite hladilna rebra na cilindru.
- Očistite ventilator in območje okoli.
- Očistite dušilec ogjlika.

POZOR




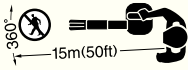



Čiščenje plavuti cilindra, ventilatorja in dušilca mora izvesti Hitachi jev pooblaščen servisni center.

OPOMBA

Ko pri najbližjem trgovcu naročate dele, uporabite številko dela, ki jo najdete v razčlenitvi delov v teh navodilih.

ЗНАЧЕНИЕ СИМВОЛОВ ИЛИ ТАБЛИЧЕК

ВНИМАНИЕ: Некоторые устройства не снабжены ими.

	<p>Символы ⚠ ПРЕДОСТЕРЕЖЕНИЕ Ниже приведены символы, используемые для машины. Перед началом работы обязательно убедитесь в том, что Вы понимаете их значение.</p>		<p>ПРЕДОСТЕРЕЖЕНИЕ ⚠ ОПАСНОСТЬ Горячие поверхности; Глушитель и защитная крышка могут сильно нагреваться. Во избежание травм остерегайтесь прикасаться к выхлопной трубе и области глушителя.</p>
	<p>Необходимо прочитать и в полном объеме понять и соблюдать следующие правила техники безопасности и предостережения. Халатное или ненадлежащее применение устройства может привести к серьезным или смертельным телесным повреждениям.</p>		
	<p>Следует прочитать, понять и выполнять все предостережения и инструкции, указанные в данном руководстве и на устройстве.</p>		<p>Расстояние до детей, наблюдателей и помощников должно составлять не менее 15 метров. Если кто-либо приближается к Вам, немедленно остановите двигатель.</p>
	<p>При эксплуатации данного устройства необходимо использовать средства защиты зрения, слуха, а также головной убор.</p>		<p>Используйте прочную обувь с нескользкой подошвой.</p>
	<p>ПРЕДОСТЕРЕЖЕНИЕ ⚠ ОПАСНОСТЬ Неприкасаться к вращающемуся вентилятору.</p>		

Содержание

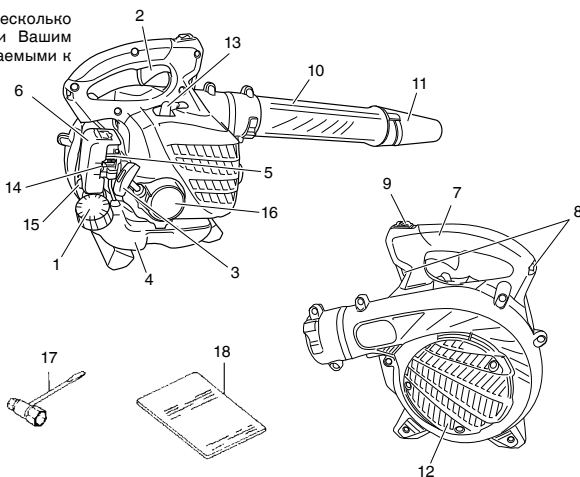
ДЕТАЛИ УСТРОЙСТВА 44
 ПРЕДОСТЕРЕЖЕНИЯ И ИНСТРУКЦИИ ПО ТЕХНИКЕ БЕЗОПАСНОСТИ 45
 СПЕЦИФИКАЦИИ 46

ПОРЯДОК СБОРКИ 46
 ЭКСПЛУАТАЦИЯ 46
 ТЕХОБСЛУЖИВАНИЕ 47

ДЕТАЛИ УСТРОЙСТВА

Поскольку в данном руководстве описываются несколько моделей, возможны различия между рисунками и Вашим устройством. Воспользуйтесь инструкциями, прилагаемыми к Вашему инструменту.

1. Крышка топливного бака
2. Дроссельное пусковое устройство
3. Рукоятка стартера
4. Топливный бак
5. Карбюратор
6. Воздухоочиститель
7. Рукоятка
8. Петля
9. Выключатель зажигания
10. Прямая труба
11. Коническая труба
12. Защитная сетка
13. Свеча зажигания
14. Проволочный зажим
15. Дроссельный зажим
16. Шнуровой стартер
17. Кольцевой гаечный ключ Combi
18. Инструкция по эксплуатации



ПРЕДОСТЕРЕЖЕНИЯ И ИНСТРУКЦИИ ПО ТЕХНИКЕ БЕЗОПАСНОСТИ

Безопасность оператора

- Во время работы следует носить респиратор.
- Необходимо использовать защитную маску для лица и очки.
- Необходимо использовать длинные брюки из прочной ткани, ботинки и перчатки. Запрещается одевать широкую одежду, украшения, шорты, сандалии и ходить босиком. Следует подобрать волосы таким образом, чтобы их длина была выше плеч.
- Запрещается использование данного устройства в уставшем состоянии, при болезни или под влиянием алкоголя, наркотических веществ или медикаментов.
- Не позволяйте детям или некомпетентным лицам использовать устройство.
- Необходимо использовать средства защиты слуха. Следите за окружающей ситуацией. Обращайте внимание на людей, которые могут сообщать Вам о каких-то проблемах. Удаляйте защитное оборудование сразу после отключения двигателя.
- Используйте защитный головной убор.
- Запрещается запускать и эксплуатировать двигатель в закрытом помещении или здании. Вдыхание выхлопных газов может быть смертельным.
- Содержите рукоятки в чистом состоянии, не допускайте попадания на них масла или топливной смеси.
- Н прикасаться к движущимся деталям или нагрывшейся области.
- Н захватывать и не держать устройство за продувочную трубку.
- Если устройство отключено, убедитесь, что двигатель остановился, прежде чем положить устройство.
- При длительном сроке использования необходимо периодически устраивать перерывы, чтобы избежать возможного синдрома белых пальцев, который вызывает вибрация.

⚠ ПРЕДОСТЕРЕЖЕНИЕ

- Антивибрационные системы не гарантируют защиту от синдрома белых пальцев или кистевого туннельного синдрома. Поэтому постоянные и регулярные пользователи должны внимательно следить за состоянием своих рук и пальцев. При появлении одного из вышеупомянутых симптомов следует немедленно обратиться за помощью к врачу.
- Если Вы пользуетесь какими-либо медицинскими электрическими/электронными устройствами, например, электронным стимулятором сердца, проконсультируйтесь с врачом, а также с изготовителем устройства, прежде чем эксплуатировать какое-либо электрическое оборудование.

Безопасность устройства/машины

- Перед каждым использованием необходимо выполнять полную проверку устройства/машины. Поврежденные детали подлежат замене. Необходимо выполнять проверку отсутствия утечки топлива и проверку прочности посадки всех креплений.
- Перед применением устройства/машины необходимо произвести замену треснувших, сколотых или иным образом поврежденных деталей.
- Убедитесь, что защитное приспособление установлено надлежащим образом.
- При выполнении регулировки карбюратора не допускать в рабочую зону посторонних.
- Применяйте вспомогательное оборудование, рекомендуемое изготовителем именно для этого устройства/машины.

⚠ ПРЕДОСТЕРЕЖЕНИЕ

- Запрещается вносить какие-либо изменения в конструкцию устройства/машины. Не применяйте устройство/машину для других целей, кроме тех, для которых оно предназначено.

Безопасность при обращении с топливом

- Топливо огнеопасно и может причинить серьезные травмы при вдыхании паров или при попадании на тело. Всегда соблюдайте осторожность при обращении с топливом! Всегда обеспечивайте достаточную вентиляцию, когда работаете с топливом в помещении.
- Смешивание и заливку топлива необходимо производить на открытом воздухе и в местах, где отсутствуют источники искр или огня.
- Необходимо использовать соответствующий топливный контейнер.
- Запрещается курить и позволять другим курить поблизости от топлива или устройства/машины, либо во время применения устройства/машины.
- Пролитое топливо необходимо удалить до запуска двигателя.
- Перед запуском двигателя следует отойти не менее чем на 3 м от места заправки.
- Перед удалением крышки топливного бака необходимо заглушить двигатель.
- Опорожнить топливный бак перед складированием устройства/машины. Рекомендуется сливать топливо после каждого применения. Если топливо остаётся в баке, необходимо проследить, чтобы бак не протекал.
- Хранить устройство/машину и топливо в месте, где топливные пары не могут достигнуть искр или огня из водонагревателей, электрических двигателей или выключателей, печи и т.п.

⚠ ПРЕДОСТЕРЕЖЕНИЕ

Топливо легко воспламеняется или взрывается, а также выделяет пары, поэтому будьте особенно внимательны при обращении с топливом.

Безопасность в ржим обдувания

- Используйте устройство/инструмент только в допустимое время – не рано утром и не поздно вечером, когда вы можете побеспокоить людей. Придерживайтесь времени, указанного в мстных предписаниях. Обычно рекомендуется период с 9:00 до 17:00, с понедельника по субботу.
- Н направляйте выпуск воздуха на наблюдающих лиц, и позволяйте никому приближаться к рабочей зоне. Будьте осторожны при направлении выпуска наружу, избегайте стёкла, ограждения, автомобиля и т.п.
- Будьте бдительны при использовании устройства/машины на ровных тротуарах, рядом с отверстиями в змл и при других неблагоприятных условиях.
- Принимайте все возможные меры предосторожности, когда оставляют устройство без присмотра, отключайте при этом двигатель.
- Не эксплуатируют устройство/машину без защитных приспособлений, продувочных трубок и других защитных устройств. (При наличии.)
- Не допускать детей, животных, наблюдателей и помощников в опасную зону на расстоянии ближе 15 м. Если к Вам кто-то приближается, немедленно заглушите двигатель.
- Всегда держите двигатель с правой стороны тела.
- Сохраняйте устойчивое положение и равновесие. Не тянитесь.
- Држит в с части тла на расстоянии от глушителя.
- При использовании электросилового оборудования всегда держите поблизости аптечку первой помощи.
- Запрещается запускать и эксплуатировать двигатель в закрытом помещении или здании и/или возле легковоспламеняющихся жидкостей. Вдыхание выхлопных газов может быть смертельным.

Безопасность при техобслуживании

- Техобслуживание устройства/машины необходимо выполнять в соответствии с рекомендованными процедурами.
- Прежде чем производить техобслуживание, отсоедините свечу зажигания, за исключением случаев выполнения работ по регулировке карбюратора.
- При выполнении регулировки карбюратора не допускать в рабочую зону посторонних.

- Допускается использование только оригинальных запасных частей Hitachi, рекомендованных производителем.

ОСТОРОЖНО

Не разбирать возвратный стартер. Существует вероятность получения травмы из-за возвратной пружины.

Транспортировка и хранение

- Переносить устройство/машину вручную разрешается только при отключенном двигателе и при отведенном в сторону от тела глушителе.
- Охладить двигатель, опорожнить топливный бак и заблокировать устройство/машину перед складированием или транспортировкой.
- Опорожнить топливный бак перед складированием устройства/машины. Рекомендуется сливать топливо после каждого применения. Если топливо остаётся в баке, необходимо проследить, чтобы бак не протекал.
- Необходимо хранить устройство/машину в недоступном для детей месте.
- Необходимо производить тщательную очистку устройства и хранить его в сухом месте.
- При транспортировке или хранении следует убедиться, что двигатель выключен.

При возникновении ситуаций, не описанных в данном руководстве, надлежит соблюдать осторожность и действовать в соответствии со здравым смыслом. При возникновении вопросов обратитесь к представителю компании Hitachi. Обратите особое внимание на указания, сопровождающиеся следующими словами:

⚠ ПРЕДОСТЕРЕЖЕНИЕ

Указывает на высокую вероятность причинения телесного вреда или на смертельную опасность при несоблюдении инструкций.

ОСТОРОЖНО

Указывает на вероятность причинения телесного вреда или повреждения оборудования при несоблюдении инструкций.

ПРИМЕЧАНИЕ

Полезная информация для надлежащего функционирования и применения.

СПЕЦИФИКАЦИИ

Модель	RB24EAP/RB24EA
Объём двигателя (мл)	23,9
Свеча зажигания	NGK BMR7A
Сухая масса (кг)	3,9
Емкость топливного бака (л)	0,52
Уровень звукового давления LpA (дБ(A)) по ISO22868	By ANSI 69*2 By CEN 87*1
Погрешность (дБ(A))	1,8*1

Модель	RB24EAP/RB24EA
Уровень мощности звука Lw (дБ(A)) по ISO22868	107*1
Уровень звуковой мощности LwA (дБ(A)) по 2000/14/EC	109*1
Уровень вибрации (м/с ²) по ISO22867	12
Погрешность (м/с ²)	1,0

*1: Эквивалентные уровни шума/вибрации вычисляются в качестве взвешенной по времени энергии, общей для уровней шума/вибрации при различных рабочих условиях при следующем распределении по времени: Холостой ход 1/7, разгон 6/7.

*2: ANSI B175.2

* Все данные подлежат изменению без уведомления.

ПОРЯДОК СБОРКИ

Продувочные трубки к главному корпусу (Рис. 1)

Проверить главный корпус и принадлежности. Надежно присоедините прямую трубу (1). Выровняйте выступ (2) в прямой трубе с желобом (3) на кожухе воздуходува и вставьте трубу в кожух воздуходува.

Поверните трубу по часовой стрелке, чтобы зафиксировать ее на месте.

Коническая труба к прямой трубе (рис. 2)

○ Установите желоб (5) на коническую трубу (6), а выступ (4) на прямую трубу (1), и поверните коническую трубу на месте.

ЭКСПЛУАТАЦИЯ

Топливо (Рис. 3)

⚠ ПРЕДОСТЕРЕЖЕНИЕ

- Устройство/машина оборудовано двухтактным двигателем. Двигатель следует эксплуатировать на топливе, смешанном с маслом. При заливке топлива или обращении с ним следует обеспечить надлежащую вентиляцию.
- Топливо является легковоспламеняющейся жидкостью; при вдыхании паров или контакте с кожей может вызвать серьезную травму. При использовании топлива необходимо соблюдать осторожность. При использовании топлива внутри помещения необходимо обеспечить надлежащую вентиляцию.

Топливо

- Необходимо использовать только марочный 89 октановый неэтилированный бензин.
- Следует использовать оригинальное двухтактное масло или смесь в пределах от 25:1 до 50:1, соотношение см. на бутылке масла или обратиться к дилеру фирмы Hitachi.
- Если оригинальное масло отсутствует, следует использовать масло с антиоксидантной присадкой, предназначенное для применения в двухтактном двигателе, работающем на топливе, с воздушным охлаждением (марка JASO FC GRADE OIL или ISO EGC GRADE). Не применять смешанное масло BIA или TCW (двухтактный тип с водяным охлаждением).
- Запрещается использовать масло для четырехтактного двигателя или отработанное масло.
- Топливо и масло следует смешивать только в отдельном чистом контейнере.

Сначала контейнер следует заполнить половиной необходимого количества топлива. Затем добавить полный необходимый объем масла. Перемешать топливно-масляную смесь (взболтать). Добавить оставшееся топливо. Тщательно смешать (взболтать) топливную смесь перед заполнением топливного бака.

Зарядка топливом

⚠ ПРЕДОСТЕРЕЖЕНИЕ

- Перед зарядкой всегда выключайте двигатель и дайте ему остыть в течение нескольких минут.
- При зарядке топливный бак следует открывать медленно, чтобы сбросить возможное накопившееся избыточное давление.
- После зарядки следует осторожно затянуть крышку топливного бака.
- Всегда удалять аппарат минимум на 3 м от зоны топливной зарядки, прежде чем запускать его.
- Не курить и не разводить огонь при обращении с топливом.
- Всегда удаляйте следы пролитого на одежду топлива при помощи мыла.
- После зарядки убедитесь в отсутствии утечек топлива.

Перед зарядкой топливом тщательно очистить участок вокруг крышки бака, чтобы предотвратить попадание грязи в бак. Перед зарядкой топливом хорошо смешать топливо путём встряхивания контейнера.

Запуск

ОСТОРОЖНО

Запрещается запускать устройство, если труба и защитная сетка закупорились.

1. Проверьте, чтобы переключатель (7) находился в положении вкл. (рис. 4)
*Несколько раз нажать на заливочный баллон (8), чтобы топливо потекло через баллон или обратную трубку. (9) (Рис. 5)
2. Установить рычаг заслонки в положение CLOSED (ЗАКРЫТО). (Рис. 6)
3. Быстро потянуть возвратный стартер, крепко удерживая рычаг в руке и не позволяя ему защёлкнуться назад. (Рис. 7)
4. Если Вы услышите, что двигатель начинает заводиться, верните рычаг заслонки в положение RUN (РАБОТА) (открыто). Затем снова быстро потяните возвратный стартер.

⚠ ПРЕДОСТЕРЕЖЕНИЕ

- Не запускайте и не эксплуатируйте двигатель в закрытом помещении или здании и/или рядом с воспламеняющимися жидкостями. Вдыхание выхлопных газов может быть смертельным.
- Не позволяйте тросу заскакивать назад, всегда крепко держите устройство.

ПРИМЕЧАНИЕ

Если двигатель не заводится, повторить операцию 2-4 раз.

5. После пуска двигателя, дать ему разогреться в течение 2-3 минут, прежде чем прилагать к нему нагрузку.
*Если двигатель выключился и сразу не запускается, дайте ему остыть, прежде чем запустите его снова.

Эксплуатация воздухоудовни (Рис. 8)

- Низкую скорость елдут использовать для выдувания листьев и сухой травы.
- Средняя скорость используются для очистки влажных листьев и травы.
- Высокую скорость елдут применять для примщения гравия, грязи и других тяжёлых матриалов.

⚠ ПРЕДОСТЕРЕЖЕНИЕ

- Не направлять выпуск воздуха на люди и животных.
- Устройство должно эксплуатироваться в хорошо вентилируемой области.
- Не выполняйте сборку и разборку при работающем двигателе, иначе это может повлечь за собой серьёзные травмы.
- Не прикасайтесь к выхлопной трубе или металлическим деталям во время работы двигателя или сразу после его отключения.

ОСТОРОЖНО

Воздуходувка разработана и настроена для примння вех прикрплённых продувочных труб. Запрещается использовать устройство без прямой и конической трубы.

Остановка (Рис. 9)

Снизить скорость двигателя и в течение нескольких минут дать поработать на холостом ходу, затем повернуть выключатель зажигания.

ТЕХОБСЛУЖИВАНИЕ

ТЕХОБСЛУЖИВАНИЕ. ЗАМЕНА ИЛИ РЕМОНТ УСТРОЙСТВ И СИСТЕМ ДЛЯ СНИЖЕНИЯ ТОКСИЧНОСТИ ВЫХЛОПОВ МОЖЕТ ВЫПОЛНЯТЬСЯ В РЕМОНТНОЙ МАСТЕРСКОЙ ДЛЯ ДВИГАТЕЛЕЙ ИЛИ ИНДИВИДУАЛЬНЫМ СПЕЦИАЛИСТОМ.

Регулировка карбюратора (Рис. 10)

В карбюраторе топливо смешивается с воздухом. Карбюратор отрегулирован во время пробного пуска на заводе. Может потребоваться дополнительная регулировка в соответствии с климатом и высотой над уровнем моря. Карбюратор имеет одну возможность регулировки:

T = Регулировочный винт холостого хода.

Регулировка холостого хода (T)

Проверьте воздушный фильтр на предмет загрязнения. Если необходима регулировка, закручивайте регулировочный винт (по часовой стрелке) отверткой для регулировки холостого хода (T), чтобы повысить обороты двигателя, откручивайте регулировочный винт (против часовой стрелки), чтобы понизить обороты двигателя. Заводские обороты холостого хода 2800-3200 об/мин.

РЕКОМЕНДАЦИЯ

НАСТРОЙКУ КАРБЮРАТОРА ДОЛЖЕН ВЫПОЛНЯТЬ ОПЫТНЫЙ ИЛИ ХОРОШО ОБУЧЕННЫЙ ПЕРСОНАЛ, ЛИБО РЕКОМЕНДУЕТСЯ ОТПРАВИТЬ УСТРОЙСТВО К ДИЛЕРУ ФИРМЫ HITCHHI.

Воздушный фильтр (Рис. 11)

Воздушный фильтр должен быть очищен от пыли и грязи во избежание:

- Неполодок карбюратора
- Проблем при запуске
- Снижения мощности двигателя
- Излишнего износа деталей двигателя
- Ненормального расхода топлива

Снять корпус воздухоочистителя поердством лапки в врхнй части, выдвинув ё впрёд и потянув затм назад.

Воздушный фильтр следует очищать один раз в день (или чаще) при эксплуатации в пыльной области.

Чистка воздушного фильтра

Необходимо снять крышку воздушного фильтра и сам фильтр. Промыть его в теплом мыльном растворе. Перед повторной сборкой проверить, чтобы фильтр был сухим. Воздушный фильтр, применявшийся некоторое время, невозможно очистить полностью. Поэтому его следует регулярно заменять на новый. Повреждённый фильтр подлежит обязательной замене.

Топливный фильтр (Рис. 12)

Полностью слить топливо из топливного бака и извлечь из бака линию топливного фильтра. Извлечь фильтрующий элемент из держателя и промыть его теплой водой с моющим средством.

После этого тщательно смыть остатки моющего средства. Сжать, не выкручивая, чтобы удалить воду и просушить элемент на воздухе.

ПРИМЕЧАНИЕ

Если из-за наличия пыли и грязи фильтр твердый, то необходимо заменить его.

Свеча зажигания (Рис. 13)

На состояние свечи зажигания влияют:

- Неверная регулировка карбюратора
- Неверно составленная топливная смесь (избыток масла в топливе)
- Загрязненный воздушный фильтр
- Неблагоприятные условия работы (например, холодная погода)

Эти факторы вызывают отложения на электродах свечи зажигания, что приводит к неполадкам и затруднениям при пуске. Если мощность двигателя снижается, он трудно запускается или плохо работает на холостом ходу, следует в первую очередь проверить свечу зажигания. Если свеча зажигания грязная, необходимо её очистить и проверить межэлектродный зазор. При необходимости выполнить повторную регулировку. Правильный зазор составляет 0,6 мм. Свечу зажигания следует заменять каждые 100 рабочих часов или раньше, если электроды сильно эродированы.

ПРИМЕЧАНИЕ

В некоторых областях в соответствии с местным законодательством требуется применение резисторных свечей зажигания для подавления сигналов зажигания. Если эта машина изначально оснащена резисторной свечой зажигания, для замены следует использовать такой же тип свечи.

График техобслуживания

Ниже приведены некоторые общие инструкции по техобслуживанию. Для получения дополнительной информации обратитесь к представителю фирмы Hitachi.

Ежедневное техобслуживание

- Необходимо производить очистку наружной поверхности устройства.
- Проверка пылезащитного чехла на наличие повреждений или трещин. Замена чехла в случае ударов или трещин.
- Проверка прочности посадки гаек и винтов.

Еженедельное техобслуживание

- Проверка стартера, особенно, шнура.
- Чистка наружной поверхности свечи зажигания.
- Удалить свечу зажигания и проверить расстояние между электродами. Отрегулировать его на 0,6 мм или заменить свечу зажигания.
- Чистка воздушного фильтра.

Ежемесячное техобслуживание

- Промыть топливный бак газOLIном и очистить топливный фильтр.
- Чистка наружной поверхности карбюратора и прилегающего участка.

Ежеквартальное техобслуживание

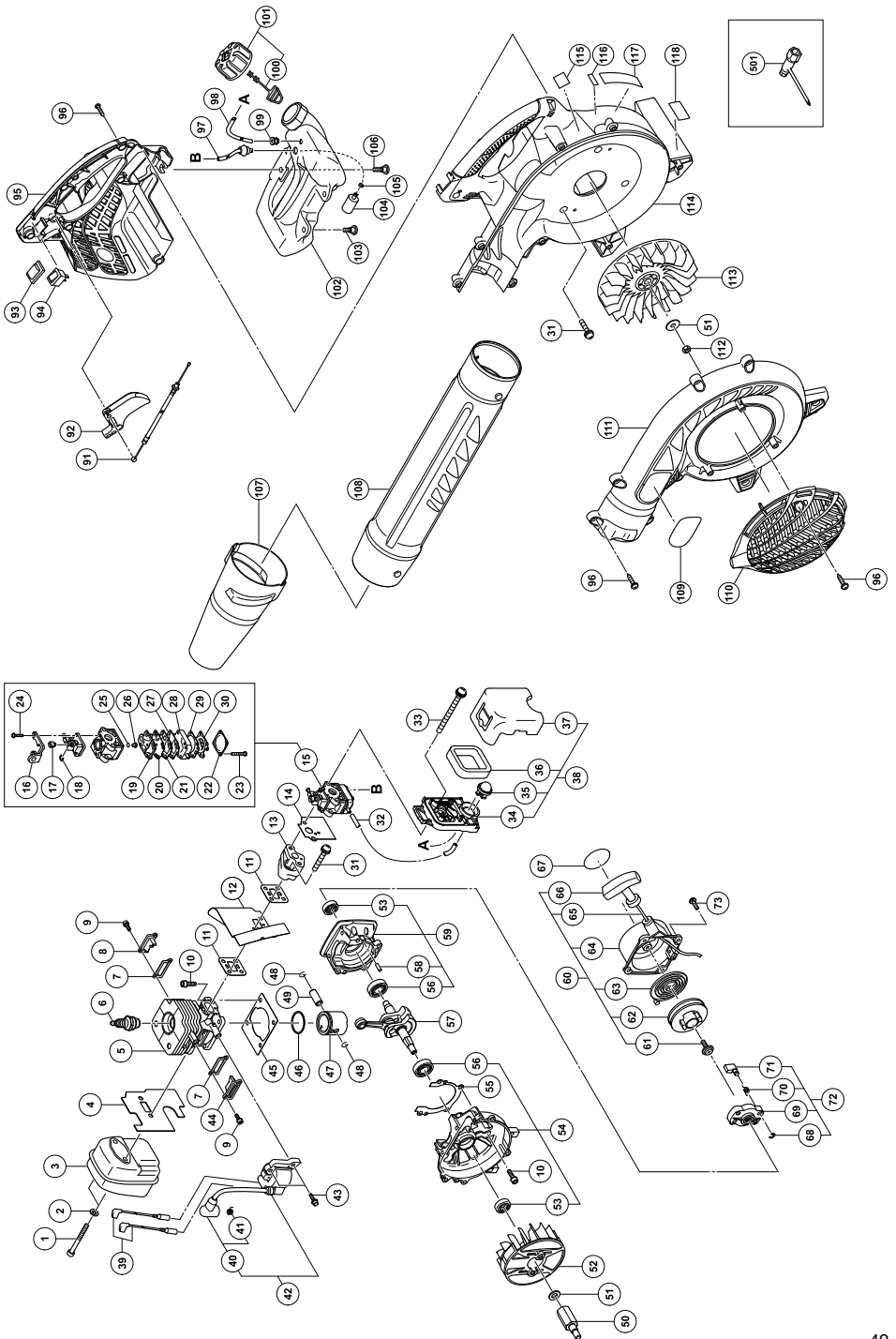
- Чистка охлаждающих ребёр цилиндра.
- Чистка вентилятора и пространства вокруг него.
- Очистка глушителя от нагара.

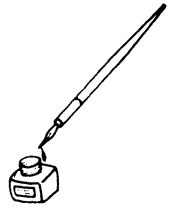
ОСТОРОЖНО

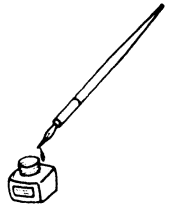
Чистка охлаждающих ребёр цилиндра, вентилятора и глушителя должна выполняться в уполномоченном сервисном центре компании Hitachi.

ПРИМЕЧАНИЕ

При заказе запчастей у Вашего ближайшего дилера сообщайте номер позиции, указанный в разделе полочки деталей, в данной инструкции.







English	<p align="center">EC DECLARATION OF CONFORMITY</p> <p align="center">(Applies to Europe only)</p>	Čeština	<p align="center">PROHLÁŠENÍ O SHODĚ S CE</p> <p align="center">(Platí pouze pro Evropu)</p>
	<p>We declare under our sole responsibility that this product is in conformity with Directive 2006/42/EC, 2004/108/EC and 2000/14/EC.</p> <p>The following standards have been taken into consideration. ISO 3864, EN ISO 12100-1/2 EN15503: 2009</p> <p>Annex V (2000/14/EC): For information relating to noise emissions, see the chapter specifications.</p> <p>The European Standards Manager at Hitachi Koki Europe Ltd. is authorized to compile the technical file.</p> <p>This declaration is applicable to the product affixed CE marking.</p>		<p>Prohlašujeme na svou výhradní zodpovědnost, že tento produkt je v souladu se směrnicemi rady 2006/42/EC, 2004/108/EC a 2000/14/EC.</p> <p>Následující normy byly zohledněny: ISO 3864, EN ISO 12100-1/2 EN15503: 2009</p> <p>Příloha V (2000/14/EC): Ohledně informací o hlukových emisích viz specifikace kapitól.</p> <p>Vedoucí pracovník pro Evropské normy v Hitachi Koki Europe Ltd. je oprávněný ke zpracování technického souboru.</p> <p>Toto prohlášení platí pro výrobek označený značkou CE.</p>
Deutsch	<p align="center">ERKLÄRUNG ZUR KONFORMITÄT MIT CE-REGELN</p> <p align="center">(Gilt nur für Europa)</p>	Türkçe	<p align="center">AB UYGUNLUK BEYANI</p> <p align="center">(Sadece Avrupa ülkeleri için geçerlidir)</p>
	<p>Wir erklären unter unserer Alleinverantwortung, dass dieses Produkt konform zu den Richtlinien 2006/42/EG, 2004/108/EG und 2000/14/EG ist.</p> <p>Die nachfolgenden Standards wurden in Betracht gezogen. ISO 3864, EN ISO 12100-1/2 EN15503: 2009</p> <p>Anhang V (2000/14/EG): Informationen zur Geräuschentwicklung finden Sie im Kapitel Spezifizierungen.</p> <p>Der Manager für europäische Standards bei der Hitachi Koki Europe Ltd. ist zum Verfassen der technischen Datei befugt.</p> <p>Diese Erklärung gilt für Produkte, die die CE-Markierung tragen.</p>		<p>Sorumluluğu tamamen kendimize ait olmak üzere, bu ürünün 2006/42/EC, 2004/108/EC ve 2000/14/EC direktiflerine uygun olduğunu beyan ederiz.</p> <p>Aşağıdaki standartlar dikkate alınmıştır. ISO 3864, EN ISO 12100-1/2 EN15503: 2009</p> <p>Ek V (2000/14/EC): Gürültü emisyonları hakkında bilgi için, teknik özellikler bölümüne bakın.</p> <p>Hitachi Koki Europe Ltd. Avrupa Standartları Müdürü, teknik dosyayı hazırlama yetkisine sahiptir.</p> <p>Bu beyan, üzerinde CE işareti bulunan ürünler için geçerlidir.</p>
Ελληνικά	<p align="center">ΕΚ ΔΗΛΩΣΗ ΕΝΑΡΜ ΝΙΣΜ Υ</p> <p align="center">(Εφορμάζεται μόνο για την Ευρώπη)</p>	Română	<p align="center">DECLARAȚIE DE CONFORMITATE CE</p> <p align="center">(Valabil numai pentru Europa)</p>
	<p>Δηλώνουμε με δική μας ευθύνη ότι το παρόν προϊόν συμφώνει με τις Οδηγίες 2006/42/EC, 2004/108/EC και 2000/14/EC.</p> <p>Τα παρακάτω πρότυπα έχουν ληφθεί υπόψη. ISO 3864, EN ISO 12100-1/2 EN15503: 2009</p> <p>Παράρτημα V (2000/14/EC): Για πληροφορίες σχετικά με την εκπομπή θορύβου, βλέπε τις προδιαγραφές του κεφαλαίου.</p> <p>Ο υπεύθυνος για τα ευρωπαϊκά πρότυπα στην Hitachi Koki Europe Ltd. είναι εξουσιοδοτημένος να συντάσσει τον τεχνικό φάκελο.</p> <p>Αυτή η δήλωση ισχύει στο προϊόν με το σημάδι CE.</p>		<p>Declarăm pe propria noastră răspundere că acest produs se conformează prevederilor Directivelor CE/42/2006, CE/108/2004 și CE/14/2000.</p> <p>S-a ținut cont de următoarele standarde. ISO 3864, EN ISO 12100-1/2 EN15503: 2009</p> <p>Anexa V (2000/14/CE): Pentru informații legate de emisiile de zgomote, vedeți specificațiile capitoului.</p> <p>Managerul pentru standarde europene al Hitachi Koki Europe Ltd. este autorizat să întocmească fișa tehnică.</p> <p>Prezenta declarație se referă la produsul pe care este aplicat semnul CE.</p>
Polski	<p align="center">DEKLARACJA ZGODNOŚCI Z CE</p> <p align="center">(Tylko dla Europy)</p>	Slovenščina	<p align="center">EC DEKLARACIJA O SKLADNOSTI</p> <p align="center">(Velja le za Evropo)</p>
	<p>Oświadczamy z pełną odpowiedzialnością, że niniejszy produkt spełnia wymogi Dyrektyw 2006/42/EC, 2004/108/EC i 2000/14/EC.</p> <p>Uwzględniono również następujące normy. ISO 3864, EN ISO 12100-1/2 EN15503: 2009</p> <p>Załącznik V (2000/14/EC): Informacje na temat poziomu hałasu znajdują się w części Specyfikacje.</p> <p>Menedżer Standardów Europejskich w firmie Hitachi Koki Europ Ltd. Jest upoważniony do kompilowania pliku technicznego.</p> <p>To oświadczenie odnosi się do załączonego produktu z oznaczeniami CE.</p>		<p>S polno odgovornostjo izjavljamo, da je ta izdelek v skladu z Direktivami 2006/42/EC, 2004/108/EC in 2000/14/EC.</p> <p>Upoštevani so bili naslednji standardi: ISO 3864, EN ISO 12100-1/2 EN15503: 2009</p> <p>Dodatek V (2000/14/EC): Za informacije v zvezi z emisijami hrupa glejte specifikacije poglavja.</p> <p>Direktor za evropske standarde podjetja Hitachi Koki Europe Ltd. je pooblaščen za sestavljanje tehničnih datotek.</p> <p>Deklaracija je označena na izdelku s pritrjeno CE oznacbo.</p>
Magyar	<p align="center">EU MEGFELELŐSÉGI NYILATKOZAT</p> <p align="center">(Csak Európára vonatkozik)</p>	Русский	<p align="center">ДЕКЛАРАЦИЯ СООТВЕТСТВИЯ ЕС</p> <p align="center">(Только для Европы)</p>
	<p>Kizárólagos felelősségünk tudatában kijelentjük, hogy ez a termék megfelel a 2006/42/EC, 2004/108/EC és 2000/14/EC irányelveknek.</p> <p>Az alábbi szabványokat vettük figyelembe: ISO 3864, EN ISO 12100-1/2 EN15503: 2009</p> <p>V függelék (2000/14/EC): A zajkibocsátási adatokat illetően tekintse meg a Műszaki adatok c. fejezetet.</p> <p>Az Hitachi Koki Europe Ltd. Európai Szabványkezelője fel van hatalmazva a műszaki fájel elkészítésére.</p> <p>Jelen nyilatkozat a terméken feltüntetett CE jelzésre vonatkozik.</p>		<p>Заявляем в рамках нашей исключительной ответственности, что данный продукт соответствует Директивам 2006/42/EC, 2004/108/EC и 2000/14/EC.</p> <p>Приняты во внимание следующие стандарты. ISO 3864, EN ISO 12100-1/2 EN15503: 2009</p> <p>Приложение V (2000/14/EC): Для информации относительно шумоизлучения, смотрите соответствующую главу спецификации.</p> <p>Менеджер отдела европейских стандартов качества компании Hitachi Koki Europe Ltd. имеет право составлять технический файл.</p> <p>Данная декларация относится к изделиям, на которых имеется маркировка CE.</p>
	<p>Representative office in Europe Hitachi Power Tools Europe GmbH Siemensring 34, 47877 Willich 1, F. R. Germany</p> <p>Technical file at: Hitachi Koki Europe Ltd. Clonsbaugh Business & Technology Park, Dublin 17, Ireland</p> <p>Head office in Japan Hitachi Koki Co., Ltd. Shinagawa Intercity Tower A, 15-1, Konan 2-chome, Minato-ku, Tokyo, Japan</p>		<p align="center">31. 5. 2010</p> <p align="center"></p> <p align="center"></p> <p align="center">K. Kato Board Director</p>