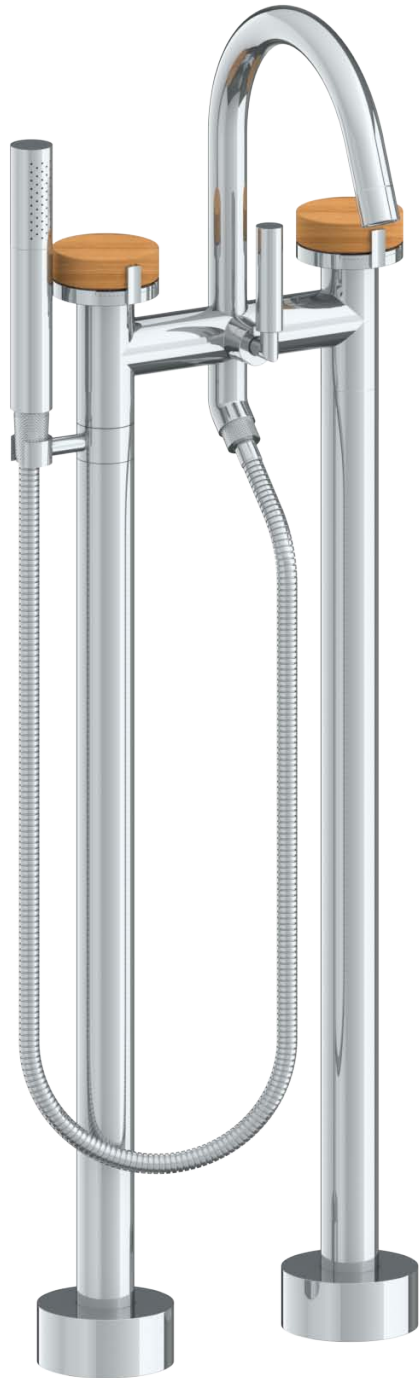


21-8.3-E2

Floor Standing Bath Set with Hand Shower
For use with SS-FL8.3 concealed floor rough
Hand Shower Flow Rate: 1.75 GPM

Note: Some building codes may require a remote pressure balancing valve, such as the SS-PB50.



Meets the applicable requirements of ASME A112.18.1-2005/CSA B125.1-05, entitled "Plumbing Supply Fittings"

WATERMARK DESIGNS

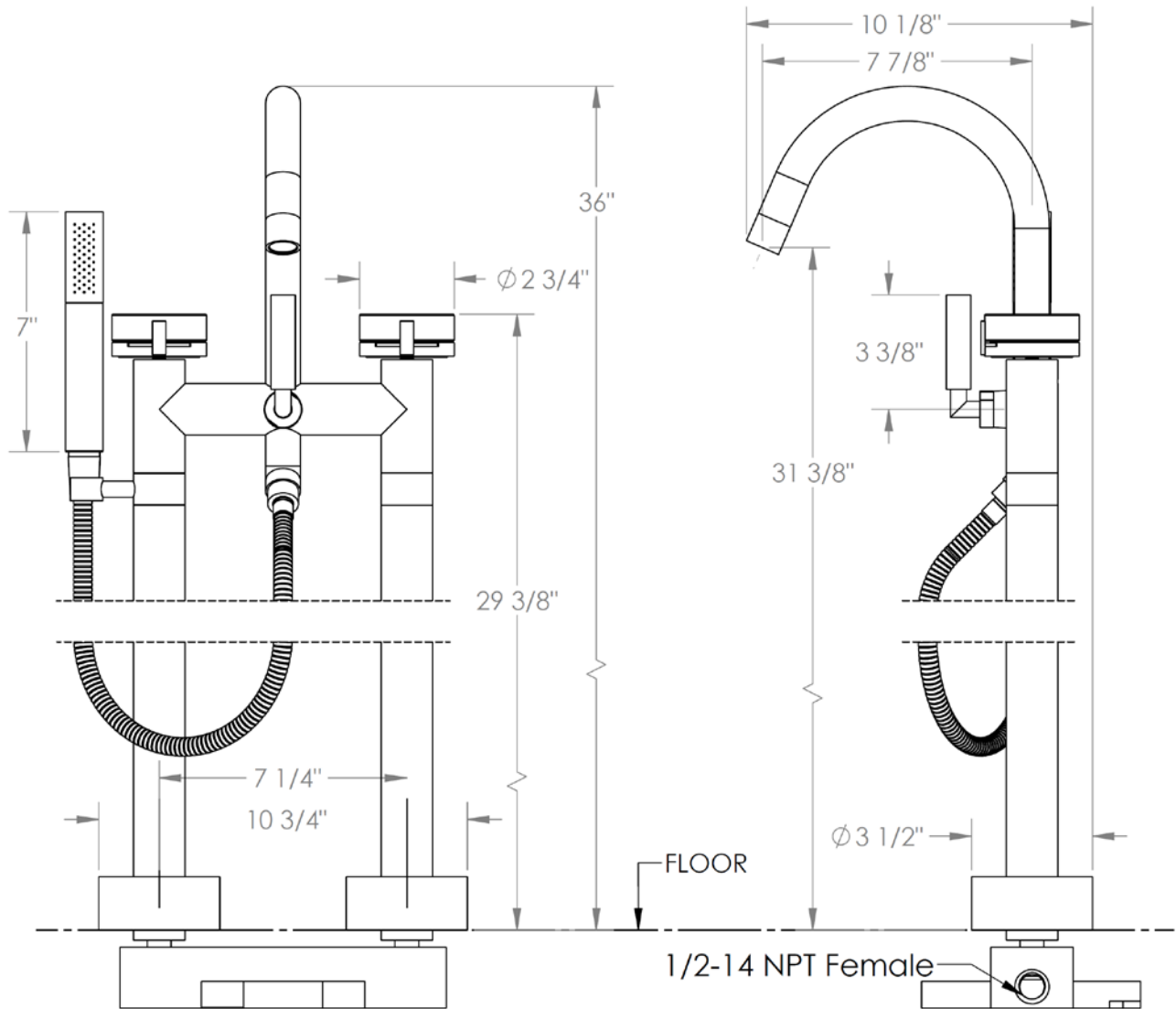
5/31/2018

350 Dewitt Ave Brooklyn NY 11207 USA T 718 257 2800 F 718 257 2144 info@watermark-designs.com

21-8.3-E2

Floor Standing Bath Set with Hand Shower
For use with SS-FL8.3 concealed floor rough
Hand Shower Flow Rate: 1.75 GPM

Note: Some building codes may require a remote pressure balancing valve, such as the SS-PB50.



Meets the applicable requirements of ASME A112.18.1-2005/CSA B125.1-05, entitled "Plumbing Supply Fittings"