

DASH

DSHS01

Dash Handshower on Hook with Metal Handle



SHOWN IN DASH HANDSHOWER ON HOOK WITH METAL HANDLE | DSHS01

TECHNICAL DETAILS

Adjustable versus Fixed Spray: Fixed Spray
Diameter of Head: 2 3/8"
Escutcheon Primary Material: Brass
Fittings Hole Diameter: 1 3/8"
Flow Restriction Options: 2.5, 2.2, 2.0, 1.75, 1.5, 0.92
Handshower / Spray Hose Length: 59"
Depth / Width: 3 15/16"
Height: 9 5/8"
Inlet Connection Size: 1/2"
Inlet Connection Type: Female NPT
Installation Type: Wall Mounted
Integrated Diverter: N
Integrated Spray: N
Length: 3 13/16"
Pivot: N
Primary Material: Brass
Spray Included in Unit: Y
Suggested Application: Bath
Water Pressure Maximum: 85.0 psi
Water Pressure Minimum: 20.0 psi
Water Pressure Recommended: 45.0 psi

INSPIRATION

A blend of art and function, Dash pays homage to design elements of the 1930s with pared-down shapes, softened curves and minimal details.

PRODUCT FEATURES

Features a supply elbow with integrated hook to hold the handshower.

Stocked in Nickel, Chrome, Unlacquered Brass, and Matte Nickel finishes

Stocked in 2.5gpm (9.5 L/min) and 1.75gpm (6.6 L/min). State of California requires 1.75gpm (6.6 L/min) to comply with their water conservation requirements. Other flow options are available to order, contact your sales associate or call 1 (800) 899-6757 for details.

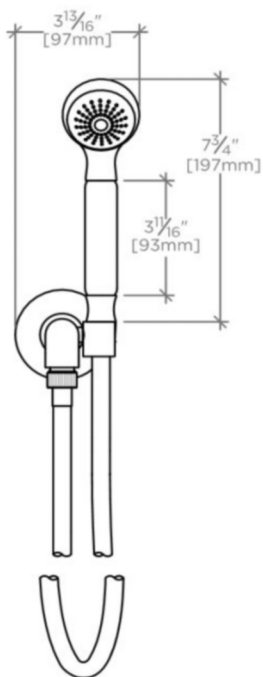
DASH

DSHS01

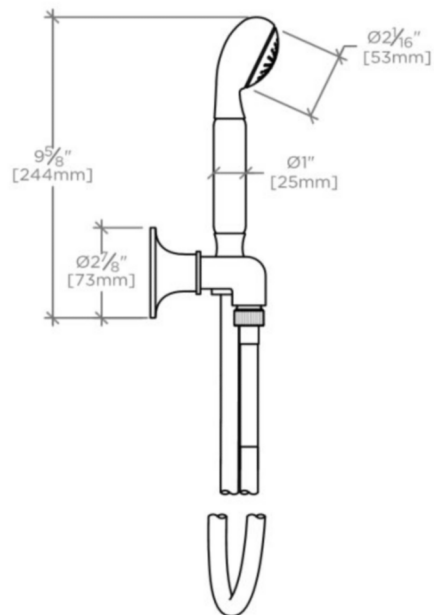
Dash Handshower on Hook with Metal Handle



TOP VIEW SCALE: 2"=1'-0"



FRONT VIEW SCALE: 2"=1'-0"



SIDE VIEW SCALE: 2"=1'-0"