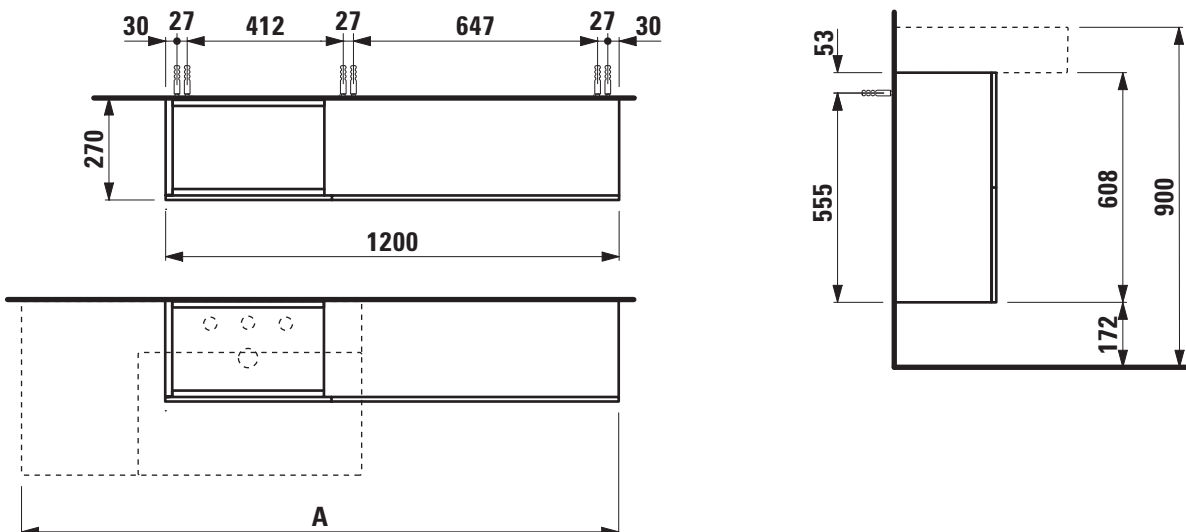




TECHNICAL DATA

Order no.	40829.1 / door hinge left, flaps right	Accessories excl.	Feet (2 pieces), anodized aluminium, order no. 40766.0
Dimensions (WxHxD)	1200 x 608 x 270 mm		Space saving siphon, order no. 89424.0
Matching for	washbasin, order no. 81033.4, 81033.5, 81033.8, 81033.9, 81233.2 (only tap bank left), 81333.2, 81333.3, 81533.1	Mounting acc. incl.	Installation set for furniture, order no. 49301.5, 49614.4
Specification	Body/Front – MDF board with ABS edges, inside melamine white White matt, Pebble grey matt, Slate grey matt: lack laminate surface Ochre brown, Mustard yellow, Grey blue: laquered surface 1 push and pull door (bottom left) 2 push and pull flaps (right side)	Mounting information	The walls installed on must meet the requirements of the furniture in terms of weight and the supplied fastening elements. If this cannot be guaranteed another method of installation needs to be chosen.
Weight	29,0 kg	Colours Body/Front	640 – White matt 641 – Pebble grey matt 642 – Slate grey matt 643 – Ochre brown 644 – Mustard yellow 645 – Grey blue

TECHNICAL DRAWINGS / S 1 : 20



A / mm (max. total width)	Ceramic
1200 - 1270	Kartell by Laufen 81033.4
1280 - 1360	Kartell by Laufen 81033.5
1210 - 1350	Kartell by Laufen 81033.8
1500 - 1660	Kartell by Laufen 81033.9

A / mm (max. total width)	Ceramic
1200	Kartell by Laufen 81233.2 (only with tap bank left)
1210 - 1350	Kartell by Laufen 81333.2
1800 - 1960	Kartell by Laufen 81333.3
1200 - 1220	Kartell by Laufen 81533.1