

SENSOR OPERATED

Optima series



M99A
White finish



M99AB
Matte black finish



M99AC
Bright finish



M99ACS
Satin finish

General description

- Optima® sensor operated hand dryers from Mediclinics® are a suitable solution for those looking for an automatic hand dryer with an optimum performance at a very competitive price. These models are ideal to be installed in washrooms with an medium/low traffic of people like for example, restaurants, theatres, offices, etc.
- These hand dryers are equipped with an induction motor, which do not require any maintenance and they are manufactured using the highest quality materials.
- Optima hand dryers also include an electronic infrared detection sensor for hand distance detection, which is adjustable.
- In order to better blend with the washroom's decoration four different types of casings are available: steel white epoxy finish, steel matte black epoxy finish, AISI 304 stainless steel bright finish and AISI 304 stainless steel satin finish.

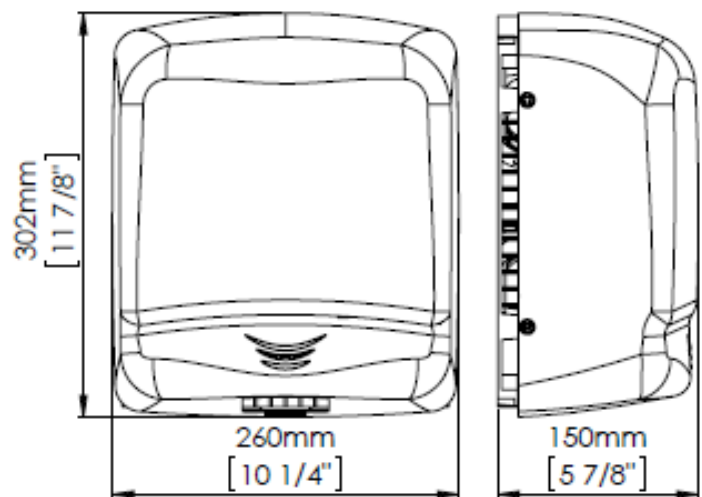
Components & materials:

- **M99A:** steel one-piece cover, white Epoxy painted, 1.5 mm. thick.
- **M99AB:** steel one-piece cover, black matte Epoxy painted, 1.5 mm. thick.
- **M99AC:** stainless steel one-piece cover, bright finish, 1.5 mm. thick.
- **M99ACS:** stainless steel one-piece cover, satin finish, 1.5 mm. thick.
- **FAN SCROLL:** made of fire resistant plastic PP-V0, with 4 Ø 6 mm holes for wall mounting.
- **MOTOR:** induction motor, 2.800 rpm, maintenance-free and high durability, incorporates a safety thermal cut-off.
- **HEATING ELEMENT:** made of waved wire NiCr on a mica frame that incorporates a thermal cut-off.
- **FAN WHEEL:** made of fire resistant plastic PP-V0 with single inlet.
- **IR SENSOR:** fully adjustable (5-25 cm) IR electronic detection sensor by means of a potentiometer.
- **OUTLET GRILL:** made of Zamak.

Technical Specifications:

Voltage	220- 240 V
Frequency	50/60 Hz
Electrical Isolation	Class II
Total power	1,640 W
Consumption	7 A
Motor power	140 W
Rpm	2,800
Heating element power	1,500 W
Dimensions	302x260x150 mm.
Weight	4.45 Kg
Cover thickness	1.5 mm
Drying time	38 sec.
Effective airflow	215 m ³ /h (3,590 L/min)
Air velocity	50 Km/h
Air temperature (10 cm distance/21°C)	57°C
Sound pressure (at 2m)	57 dBA
Protection rating	IP21

Dimensions:



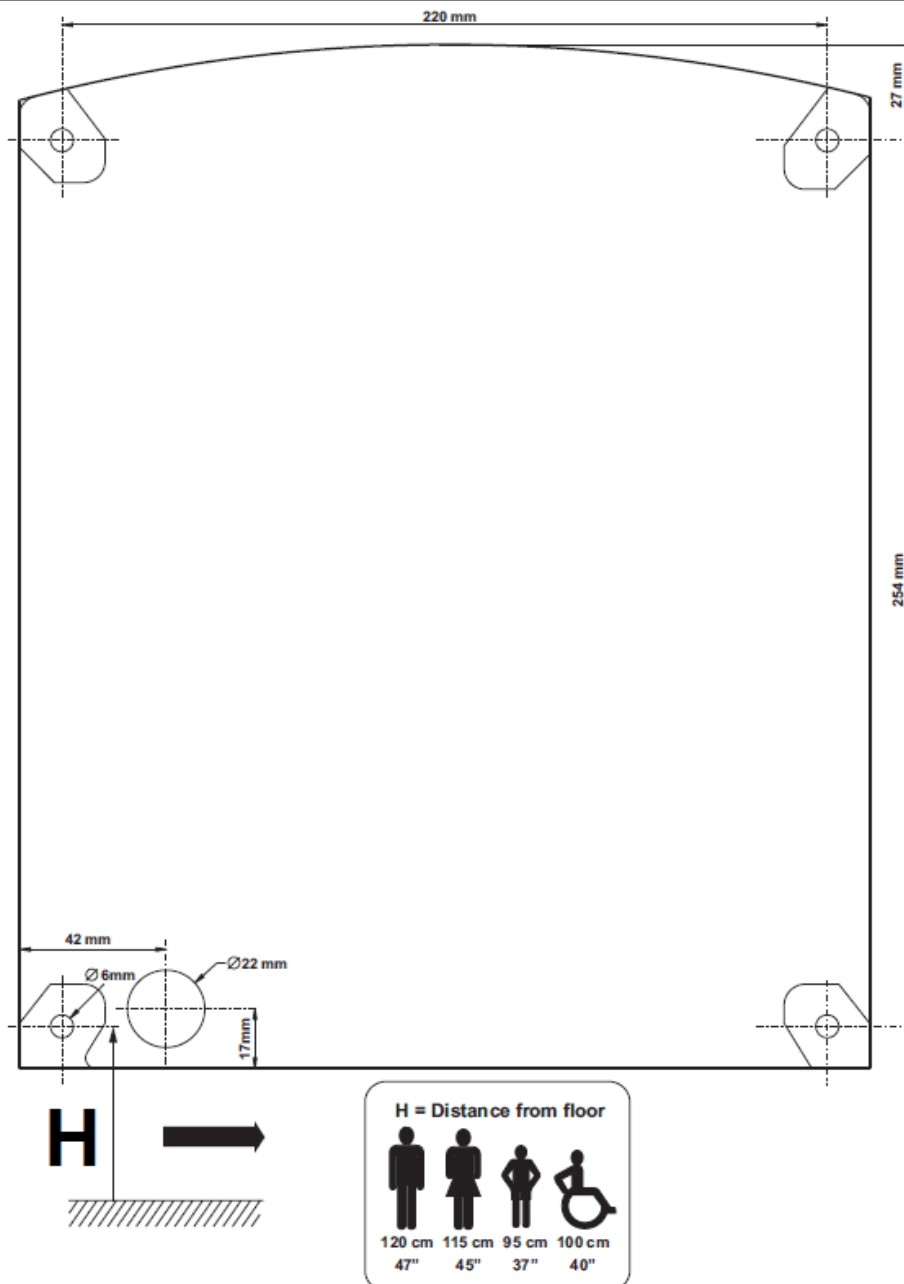
Dimensions: ± 4%

Operation

Place the hands under the air outlet. The dryer will start automatically, and go on with no interruption as long as the hands are kept in the detection range of the sensor. The appliance will stop 2 seconds after the hands are removed from the airflow.

Mounting

Recommended heights distance from the floor



Certificates and Qualifications



Mediclinics, S.A., reserves the right to make changes and/or modifications to the products and their specifications without prior notice.
Review 11-20 © mediclinics S.A.

