

COLLECTIVE USE

Push-Button



SC0088H



SC0088HCS

General description

- Saniflow® hair dryer is the rotating nozzle hair dryer that is most widely used in the world, regardless of the location to be fitted.
- These machines also feature easy maintenance, low noise levels and a high level of user safety. Together with an accurate design of components, SANIFLOW dryers boast the most powerful airflow in the world, which, combined with a comfortable drying temperature, reduces drying times to a minimum.
- With a 1.5 mm. thick steel cover, these hair dryers are available in 2 different finishes (white enameled coating and satin). These hair dryers are ideal for Heavy traffic Bathrooms.
- Thus, these are proven models with a long durability and complete reliability, with anti-vandalism features and designed to be installed in high traffic of people such as sport centers, swimming pools, SPA and wellness centers and large recreational areas, among others.

Components & materials:

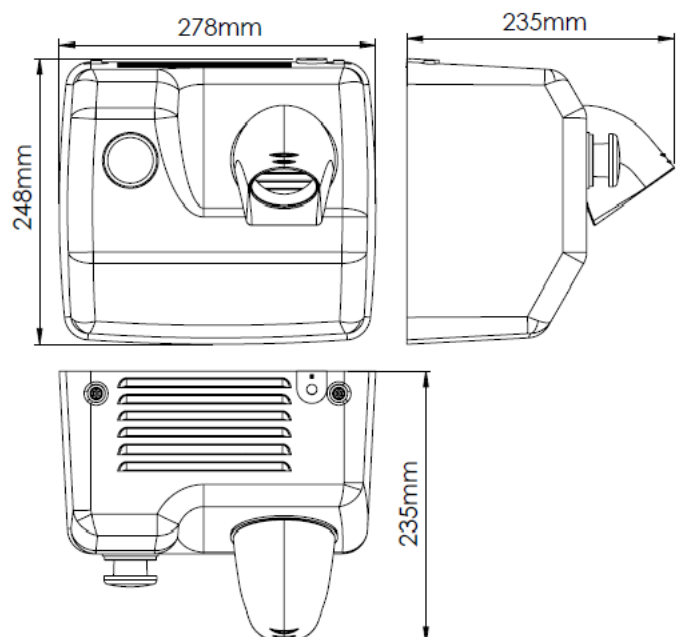
- SC0088H:** 1.5 mm. thick steel cover, white enameled coating finish.
- SC0088HCS:** 1.5 mm. thick steel cover, satin finish.
- One-piece steel cover fixed to the base by means of 2 vandal-proof lock screws and lock with special Saniflow® wrench.
- Base in aluminium, 3 mm thick, with 4 Ø 8 mm holes for wall mounting.
- Fire resistant plastic UL 94-VO fan scroll.
- Universal brush motor, 5,500 rpm, F class, which includes a safety thermal cut-off.
- Aluminium centrifugal double symmetrical inlet fan wheel.
- Waved wire NiCr heating element on a mica frame that incorporates a thermal cut-off.
- 360° Nozzle in chrome plated Zamak.
- Push-button in chrome plated Zamak, that activates an electro-mechanic timer with a 90 second cycle.
- 4 silent blocks to eliminate vibrations.

Technical Specifications

| | |
|----------------------------------------------|-------------------------------------|
| Voltage | 220- 240 V |
| Frequency | 50/60 Hz |
| Electrical Isolation | Class I |
| Total power | 2,250 W |
| Consumption | 10 A |
| Motor power | 250 W |
| Rpm | 5,500 |
| Heating element power | 2,000 W |
| Dimensions | 248x278x235 mm |
| Weight | 5.9 Kg |
| Cover thickness | 1.5 mm |
| Effective airflow | 250 m ³ /h (4,250 L/min) |
| Air velocity | 100 Km/h |
| Air temperature (10 cm distance/21°C) | 53 °C |
| Sound pressure ^(*) (at 2m) | 70 dBA |

(*) According to UNE EN ISO 11201:2010 V2 standard.

Dimensions



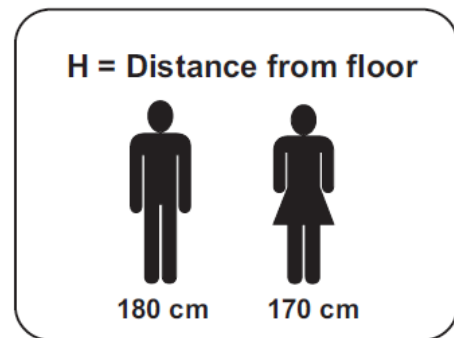
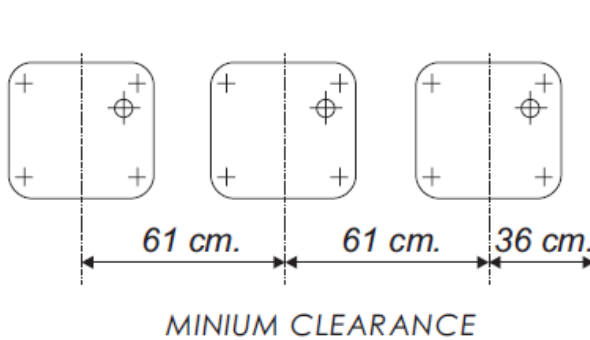
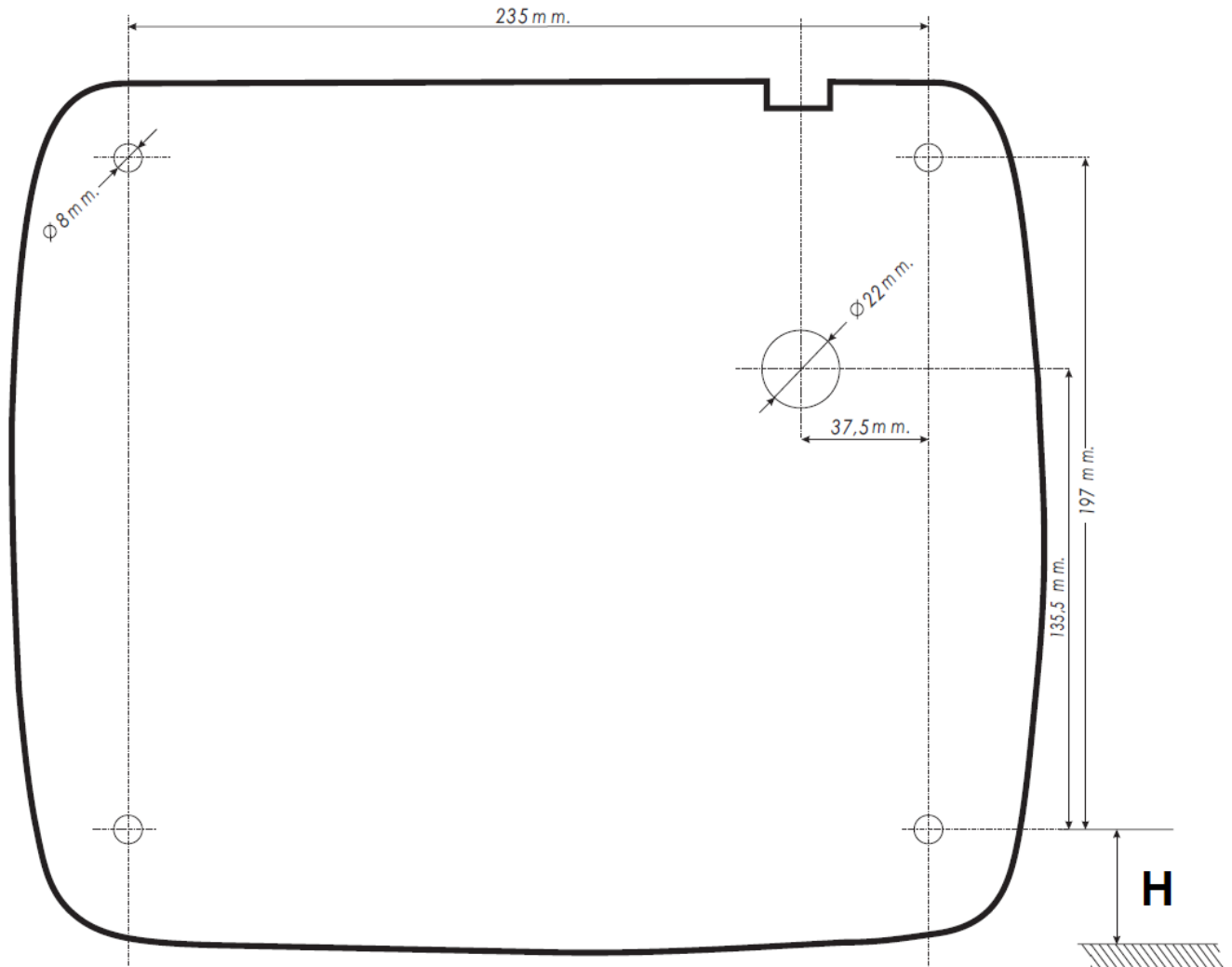
Dimensions ±4%

Operation

Press the button to initiate the drying process. The dryer will go on with no interruption for 90 seconds. Please direct the nozzle to the hair at your own convenience.

Mounting

Recommended heights distance from the floor



Certificates & Qualifications

