



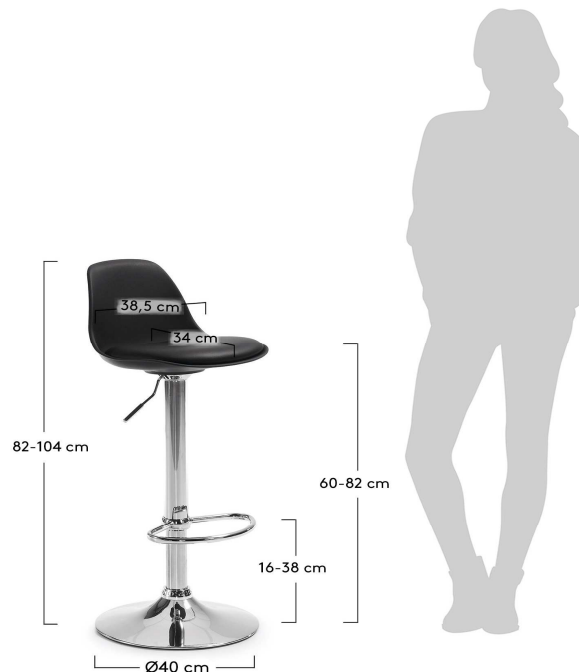
# ORLANDO-T

|                     |   |
|---------------------|---|
| product code        | C061U01   |
| product description | ORLANDO-T Barstool chrome plastic black Pu black<br>Barstool with backrest in black polypropylene and chromed leg. With swivel and lifting mechanism. |

### product sizes

|                             |           |   |      |   |    |
|-----------------------------|-----------|---|------|---|----|
| height x width x depth (cm) | 82 - 104  | x | 38,5 | x | 40 |
| product weight (Kg)         | 6,6       |   |      |   |    |
| seat height (cm)            | 60 - 80,5 |   |      |   |    |
| seat depth (cm)             | 32        |   |      |   |    |
| armrest height (cm)         |           |   |      |   |    |

### technical drawings



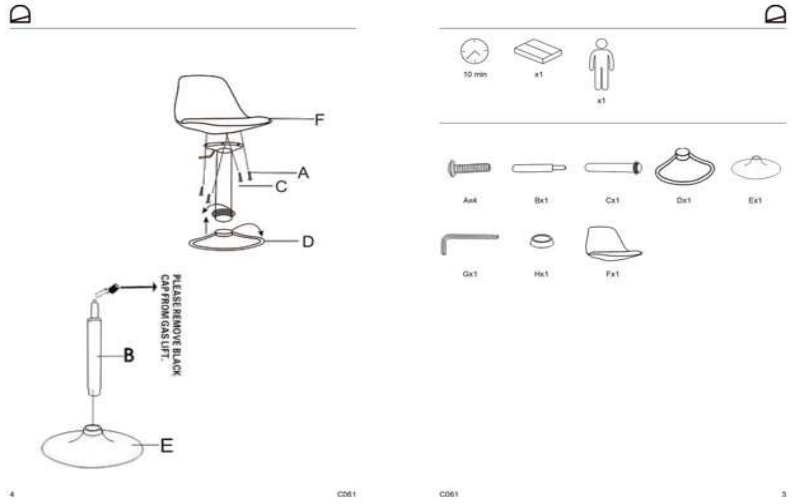
### product features

|                            |          |
|----------------------------|----------|
| use (domestic/office)      | Domestic |
| appliance (inner/outer)    | Inner    |
| stackable (yes/no)         | No       |
| adjustable height (yes/no) | Yes      |
| foldable (yes/no)          | No       |
| swivel (yes/no)            | Yes      |
| max. load (Kg)             | 120      |

|                           |                        |
|---------------------------|------------------------|
| seat material             | Polypropylene and foam |
| seat finishing            | PU                     |
| seat density foam (kg/m3) | 24                     |
| seat detachable (yes/no)  | No                     |
| seat grammage (g/m2)      |                        |

|   |  |
|---|--|
| backrest material                         | Polypropylene  |
| backrest finishing                        | Painted  |
| backrest density foam (kg/m3)             |  |
| backrest detachable (yes/no)              | No   |
| backrest grammage (g/m2)                  |  |
| legs material                             | Steel  |
| legs finishing                            | Chromed  |
| feet protection (yes/no)                  | Yes  |
| adjustable feet (yes/no)                  | No   |
| armrest (yes/no)                          | No   |
| armrest material                          |  |
| armrest finishing                         |  |
| armrest density foam (kg/m3)              |  |
| armrest detachable (yes/no)               | No   |
| armrest grammage (g/m2)                   |  |
| RAL Specifications                        |  |
| castors information                       |  |
| footrest included                         | Yes  |
| size and shape variation (yes/no)         | No   |
| color variation (yes/no)                  | No   |
| other details                             |  |
| general warnings                          | Do not place near direct sources of heat. Do not put in direct solar light. Do not use abrasive products like acetones, bleaches, solvents, etc. |
| specific use and care instructions        | Clean with a damp cloth and dry rapidly  |
| years of guarantee                        | 2  |
| made according to                         | Manufactured according to EN-12520:2015 for household use seats.   |
| good to know                              |  |
| <b>assembly</b>                           |  |
| assembly required (yes/no)                | Yes  |
| difficulty of assembly (hard/medium/easy) | Easy   |
| assembly time (min)                       | 10   |
| people required                           | 1  |
| assembly suggestions                      | Remove the plastic cap before assembling   |

assembly instructions



**packaging**

|                              |             |
|------------------------------|-------------|
| units per lot                | 2           |
| cbm (m3) / gross weight (Kg) | 0,039 / 7,1 |
| n° of boxes                  | 1           |

|  |  |
|--|--|
| box 1  | 1  |
| description                                    | ORLANDO-T Barstool chrome plastic black Pu black |
| description box                                | FULL ITEM  |
| height x width x depth (cm)                    | 44 x 49 x 36                                     |
| cbm (m3) / gross weight (Kg) / net weight (Kg) | 0,039 / 7,1 / 6,6                                |

|  |     |
|--|-----|
| box 2  |     |
| description                                    |     |
| description box                                |     |
| height x width x depth (cm)                    | x x |
| cbm (m3) / gross weight (Kg) / net weight (Kg) | / / |