

Collection

TWITTER

Article

TW397

Description

Three holes bath filler with overflow

Box Dimensions

360 x 220 x 150 mm

Weight

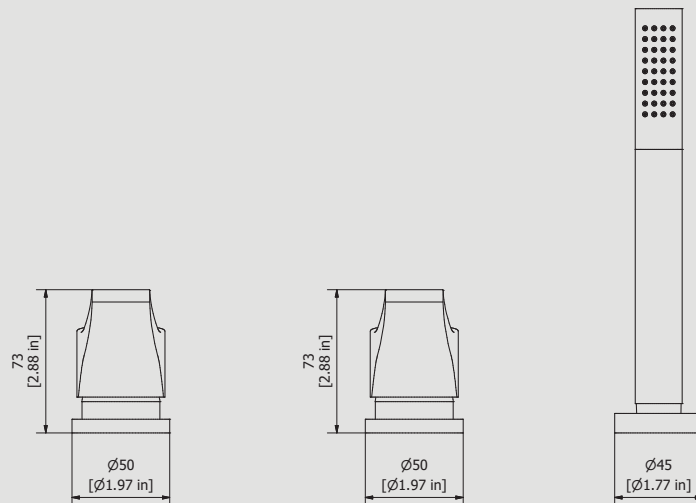
3.3 kg

Finishes

- **CC**
CHROME
- **CF**
BLACK CHROME
- **OO**
GOLD
- **BB**
ANTIQU
BRONZE
- **SS**
BRUSHED
NICKEL
- **CS**
BRUSHED
BLACK
CHROME
- **BO**
MATT
WHITE
- **NP**
MATT
BLACK
- **IS**
BRUSHED
PALE
GOLD
- **OS**
BRUSHED
GOLD
- **II**
PALE
GOLD
- **RR**
ANTIQU
COPPER
- **RS**
ROSE
GOLD
- **ON**
NATURAL
BRASS
- **SR**
BRUSHED
ROSE
GOLD
- **PL**
PLATINUM



Dimensions



Cartridge

Ø35 ceramic cartridge

Hoses

Inox hoses G1/2" female 300 mms long

Aerator

Flow Rate (+/-10%)

1 BAR
13.8 l/min

2 BAR
19.2 l/min

3 BAR
23.6 l/min

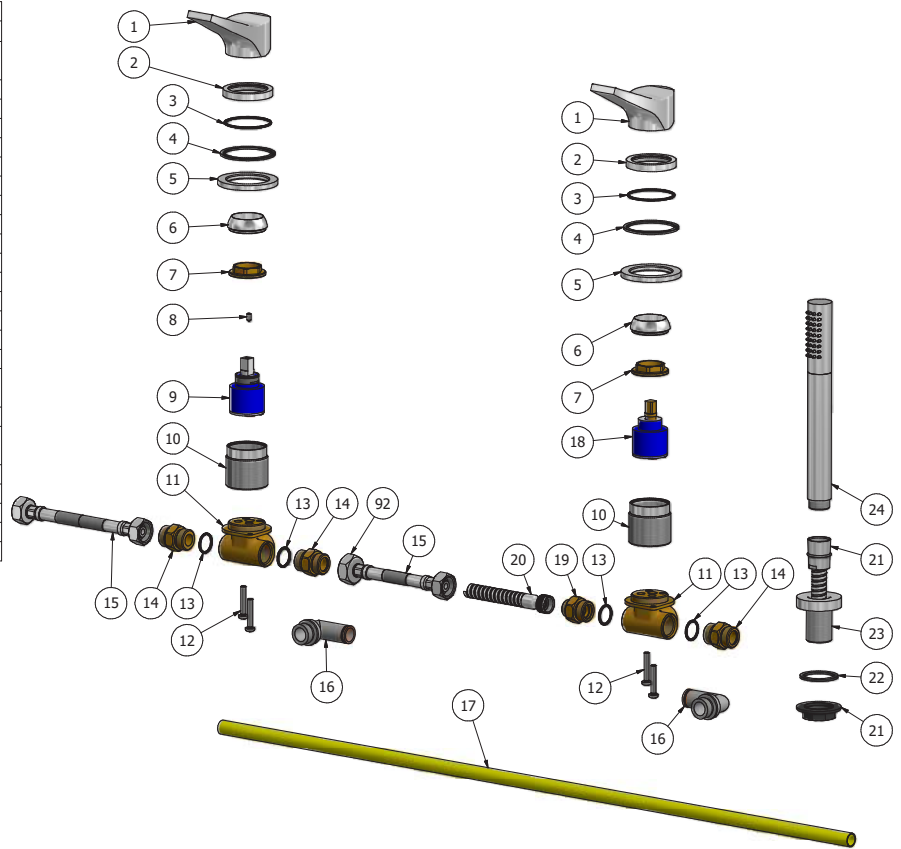
Production

Main body is a single casted pieces

Material

BRASS
According to CuZn35Pb2Al-B (CB752S)
Max Lead content: 1.36%

ELENCO PARTI			
EL	CODICE	DESCRIZIONE	QT
1	AQ0013641	Handle Ø45 H36 L102.5 with inox plug and plug	2
2	AC0011660	Fixing ring Ø50 M42x1.5	2
3	AQ0010584	OR 44.17x1.78 NBR 70 SH	2
4	AQ0011028	Flat gasket Ø55 Ø47 H2	2
5	AC0011661	Support ring Ø60 Ø42.2 H5	2
6	AQ0003630	Cartridge ring nut cover M37x1.5	2
7	AQ0001040	Cartridge ring nut M37x1.5 H9	2
8	AQ0006649	Grubscrew M4x8 p.c.	1
9	AQ0004095	Ceramic cartridge Ø35 Wout/D K 35 A	1
10	AC0011662	Ring M42x1.5 M37x1.5 Ø40 H40.7	2
11	AQCT10369	Recessed shower mixer body Ø35 DZR	2
12	AQ0009153	Inox screw M5x30	4
13	AQ0004630	OR 17.16x1.78 NBR 70 SH	4
14	AS0010301	Reduction G1/2" M G1/2" M with valve seat	3
15	AQ0006540	Inox hose G1/2" G1/2" L300	2
16	AQ0013713	Connection piece L G1/2" Ø14 (2031019)	2
17	AQ0013714-1	Risina pipe PA11 DIN 74324 Ø14xØ12 L80 cm	1
18	AQ0013143	Ceramic cartridge Ø35 Wout/D KDZ HTG	1
19	AS0011227	Connection piece G1/2" M G3/8" M with valve seat	1
20	AQ0009555	Inox hose G3/8" G1/2" cone	1
21	AQ0004710	Locknut PLS 3/4"	1
22	AQ0009716	Rubber packing 38x30x2	1
23	AC0011338	Handshower support Ø45	1
24	AQ0013557	Onair hand shower	1



WARRANTY

All IB Rubinetterie SpA products are warranted for 10 years from the date of purchase, for the following cases:

- Defects of casting, porosity and chrome plating.
- Operating defects caused by incorrect fabrication.

The warranty provides for repair or replacement of products with fabrication defects recognized by our technical office. There is no other type of compensation anche the merchandise must be returned FOB our warehouse. The warranty only cover surface defects (scatches, dings, etc.) on fitting that have not been installed and used, returned in its original packaging with all components. O-ring, gasket seals and components subject to wear proportional to use are warranted for 2 years.

The warranty is void in the following cases:

Error installing and putting the product into service.

Deterioration of finisched surfaces due to use of cleaning products containing acids or abrasive substances. Deterioration of surface with finishes other than chrome plating. Their durability is, in fact, dependent on the user's care and gentleness of use.

Deterioration of the fitting due incorrect installation.

Improper repairs and maintenance performed without the company's prior authorization.

The warranty from IB Rubinetterie SpA is not renewable.

Cleaning

We recommended cleaning the finish surfaces with water and soap, using a soft cloth.

Do not use detergents that cointain hydrochloric acid or abrasive substances.

