

TH338D



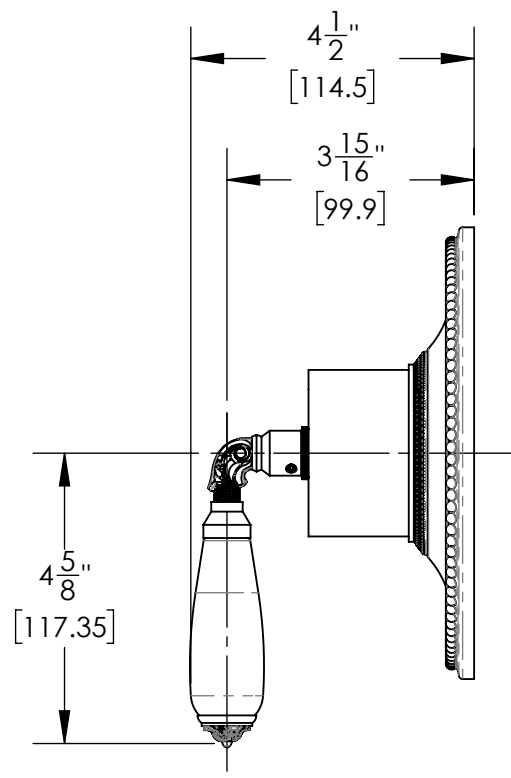
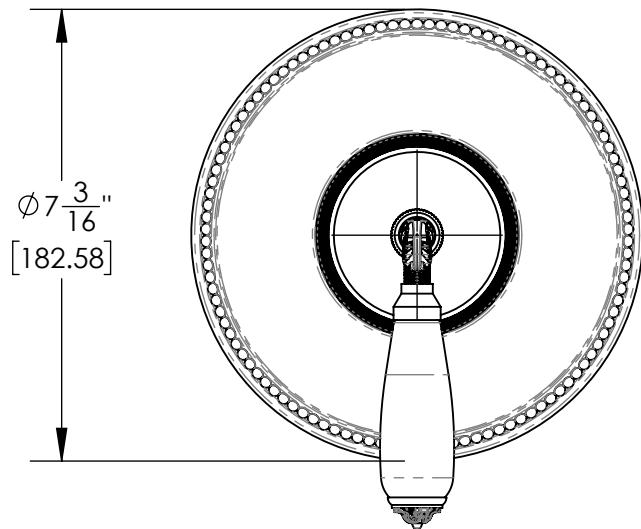
### ■ PRODUCT FEATURES

- Style: Traditional
- Collection: Valencia
- Temperature Controlled Pressure Balance
- Beige Marble Lever Handle
- 
- 

### ■ TECHNICAL DETAILS

ADA Compliance: Yes  
 Access Hole Diameter: 5"  
 Handle Turn Angle: 115°  
 Installation Type: Wall Mounted  
 Primary Material: Brass  
 Valve Material: Ceramic

### ■ PRODUCT DIMENSIONS



[www.phylrich.com](http://www.phylrich.com)

1261 Logan Avenue, Costa Mesa, California 92626.  
 Phone: 714.361.4800 Fax: 714.617.3120

Rev-



**CODES & STANDARDS**

ASME A112.181/ CSA B1251, ASME 112.18.2/ CSA B125.2, ANSI NSF, CEC

**WARRANTY**

Mechanical Warranty: 10 Years from date of purchase.  
 Finish Warranty: See catalog for further information.