

Wall Lavatory Set With Lever Handles

WL270



TECHNICAL DETAILS

ADA Compliance: Yes
 Drain Assembly Material: Brass
 Drain Style: Push to Close
 Fitting Hole Diameter: 1 1/8"
 Number of Holes: Three Hole
 Number of Handles: Two
 Handle Turn Angle: Quarter Turn
 Spout Reach: 9 3/8"
 Installation Type: Wall Mounted
 Primary Material: Brass
 Valve Material: Ceramic
 Flow Restriction: 1.2 gpm
 Water Pressure Maximum: 85 PSI
 Water Pressure Minimum: 20 PSI
 Water Pressure Recommended: 60 PSI

PRODUCT FEATURES

- Style: Traditional
- Collection: Regent
- Temperature Controlled By Handles
- Lever Handles
- Green Onyx

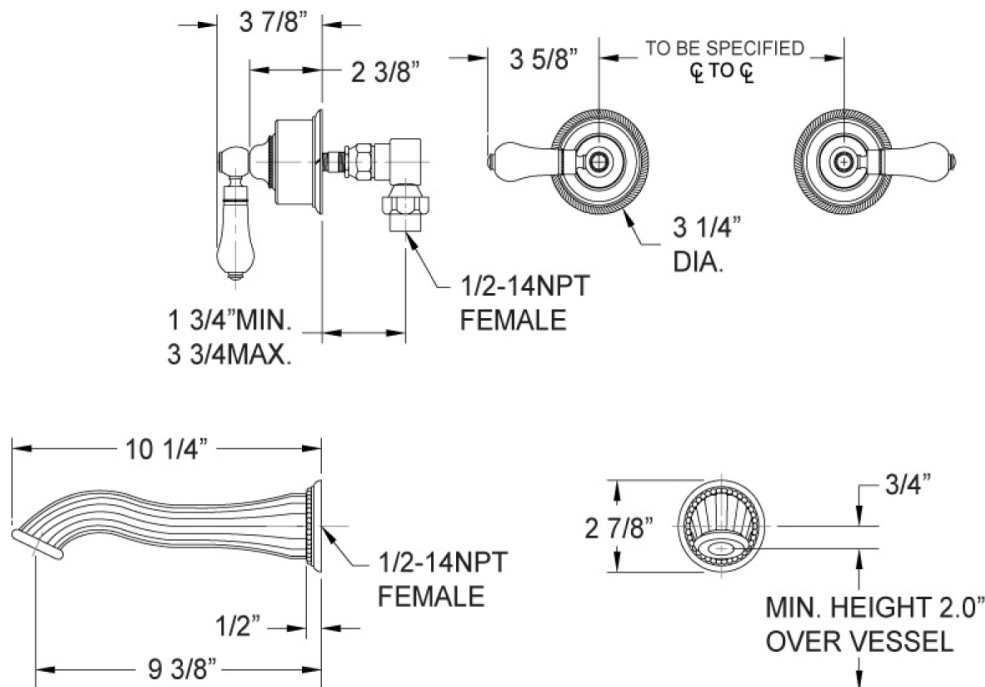
CODES & STANDARDS



ASME A112.181/ CSA B1251, ASME 112.18.2/ CSA B125.2, ANSI NSF, CEC, Watersense 61 Sect. 9, State of MA.

WARRANTY

Mechanical Warranty: 10 Years from date of purchase.
 Finish Warranty: See catalog for further information.



Valve Shown: 8090536R