

## Features

- Single-speed whirlpool offers performance and value, with 6 fully adjustable jets.
- Hydromassage flow and direction can be controlled at each jet.
- Generous 6-foot oval basin provides an incredibly spacious bathing area for up to two people.
- Molded lumbar support and armrests offer extra comfort while bathing.

## Material

- Acrylic.

## Hydrotherapy

- Whirlpool.

## Installation

- Reversible drain.
- Drop-in.

## Recommended Products/Accessories

K-7213 27" Cable Bath Drain  
K-7214 27" Cable Bath Drain  
K-24916 Wireless Music Kit  
K-1491 Bath/Whirlpool Pillow  
K-1601 Bath/Whirlpool Footstop  
K-23726 Drain treatment  
K-23732 Tub & shower cleaner  
K-7161-AF 1-1/2" adjustable pop-up drain above- or through-floor  
K-37383 Rough-in cable bath drain, PVC, 30" cable with tubing  
K-7265 Brass toe tap bath drain  
K-37386 rough-in cable drain, PVC, 30" cable  
K-7166-AF Bath Drain  
K-37380 30" Rough-in Cable Bath Drain



## Codes/Standards

ASME A112.19.7/CSA B45.10  
CSA B45.5/IAPMO Z124  
UL 1795




**KOHLER® Plastic Baths and Receptors  
Lifetime Limited Warranty  
KOHLER® Hydrotherapy Components  
Five-Year Limited Warranty**

See website for detailed warranty information.

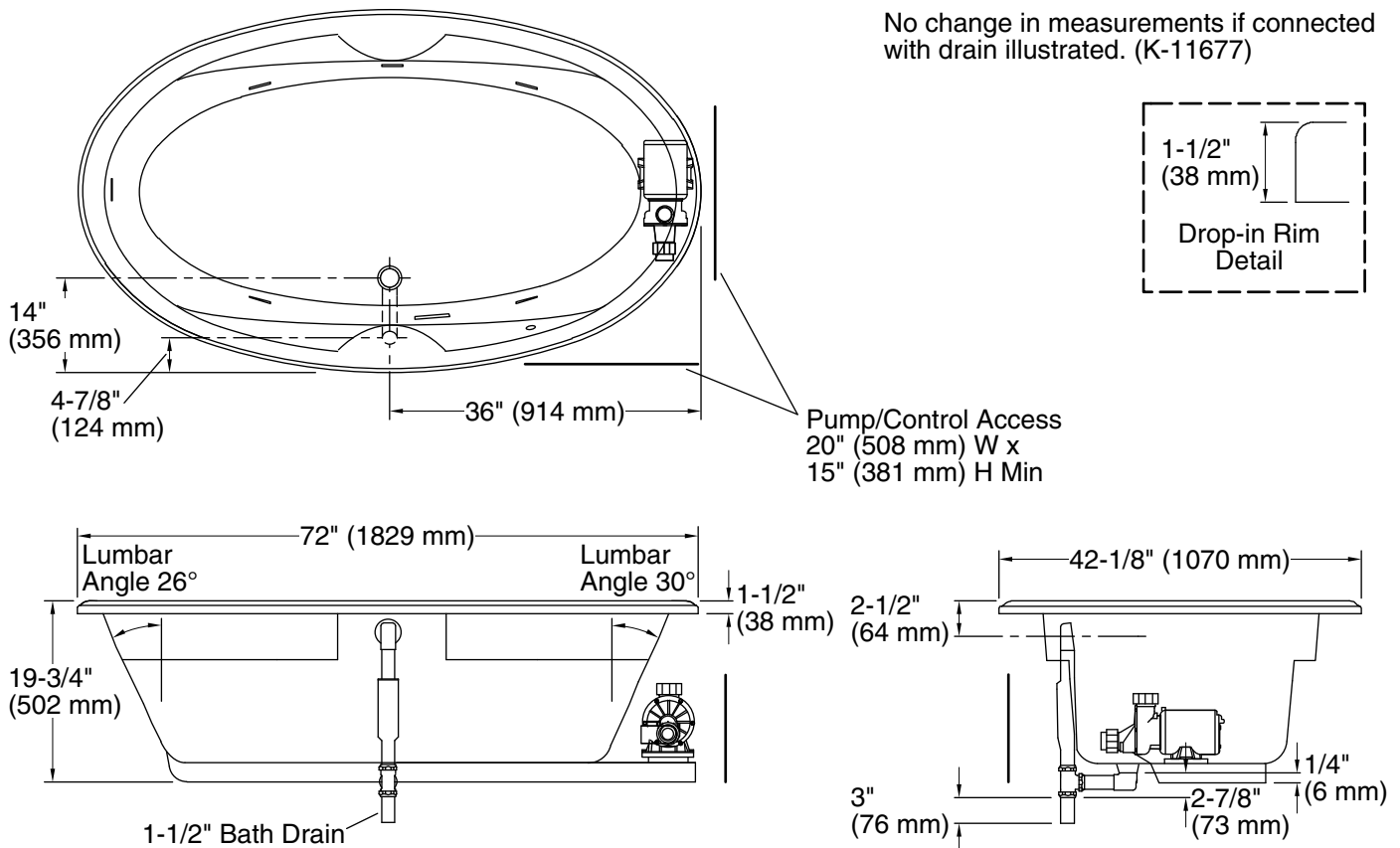
## Available Colors/Finishes

*Color tiles intended for reference only.*

### Color Code Description

|  |    |         |
|--|----|---------|
|  | 0  | White   |
|  | 96 | Biscuit |
|  | 47 | Almond  |

No change in measurements if connected with drain illustrated. (K-11677)



### Required Electrical Service

One dedicated circuit required, protected with Class A Ground-Fault Circuit-Interrupter (GFCI). Outside North America, this device may be known as a Residual Current Device (RCD).

Pump: 120 V, 15 A, 60 Hz

### Technical Information

All product dimensions are nominal.

|                              |   |
|------------------------------|---|
| Installation:                | Drop-in   |
| Drain location:              | Center  |
| Basin area, bottom:          | 51-1/8" x 23-7/8" (1298 mm x 607 mm)              |
| Basin area, top:             | 65-5/16" x 34-1/8" (1659 mm x 866 mm)             |
| Weight:                      | 74 lbs (33.6 kg)                                  |
| Minimum floor load:          | 36 lbs/ft <sup>2</sup> (175.8 kg/m <sup>2</sup> ) |
| Water depth:                 | 15" (381 mm)                                      |
| Water capacity:              | 78 gal (295.3 L)                                  |
| Template:                    | Drop-in, 114861-7, required, included             |
| Electrical component rating: | Pump: 120 V, 7.5 A, 60 Hz                         |
| Pump speed:                  | Single  |

### Notes

Measure your actual product for rough-in details. Install this product according to the installation instructions.

The hot water supply should be 70% of the capacity of the bath or greater. Installations will vary.