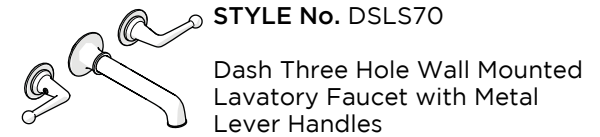


INSTALLATION GUIDELINES



IMPORTANT:

- To ensure this product is installed properly, you must read and follow these guidelines.
- The owner/user of this product must keep this information for future reference.
- This product must be installed by a professional licensed contractor and must be on-site prior to rough-in. This allows the installer to visualize the installation and verify the 8" center spread.
- Be sure your installation conforms to federal state, and local codes. In the State of Massachusetts, all installations must comply with the rules and regulations set forth within 248 CMR.
- Inspect this product to ensure you have all the parts required for proper installation. Product is sold partially assembled but shown fully disassembled for illustrative and service purposes only.
- Use only a strap wrench or protected/smooth-jaw wrench on any finished surface.
- The use of certain plumber's putty may stain stone or tile surfaces.
- If further assistance is required, please contact Product Support at 1-800-927-2120 Monday through Friday, 8am - 6pm EST.
- Refer to the separate Service Parts Documents for available replacement parts.

TECHNICAL DETAILS:

DETAIL	SPECIFICATION
DRAIN DEPTH	3/8" [10mm] MIN 2-5/8" [67mm] MAX
DRAIN HOLE DIAMETER	Ø1-3/4" [44mm]
DRAIN STYLE	PUSH TOUCH
FLOW RATE	2.2gpm [8.3L/min]
HANDLE SPREAD	8" [203mm] NOT ADJUSTABLE
HANDLE TURN ANGLE	QUARTER TURN
INLET CONNECTION	1/2" Male NPT †
SPOUT REACH	7-1/4" [184mm]
WATER PRESSURE RANGE	20psi [1.5 bar] MIN 85psi [6.0 bar] MAX
WATER PRESSURE RECOMMENDED	45psi [3.0 bar]

† UK installations do **NOT** require the 1/2" Male NPT ADAPTER provided. Thread sealant should be applied directly onto the 1/2" **BSPP** threads on the SPOUT.

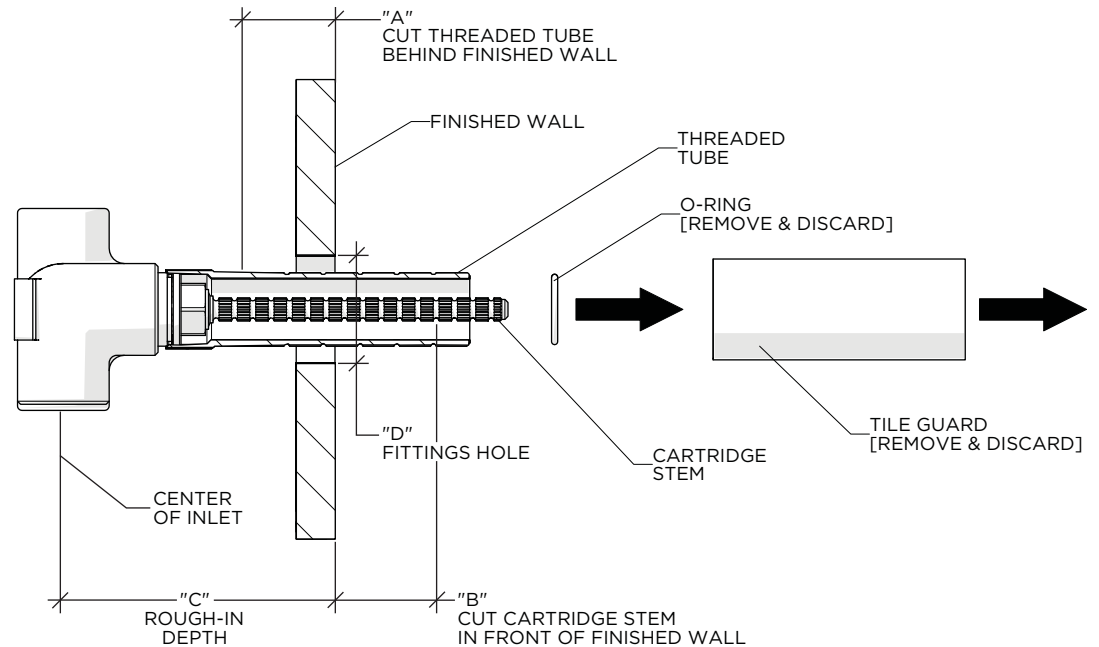
REQUIRED PLUMBING DETAILS:

- Universal Lavatory Wall Mounted Rough Valve
STYLE No. GULV25

ROUGH-IN AND VALVE PREPARATION:

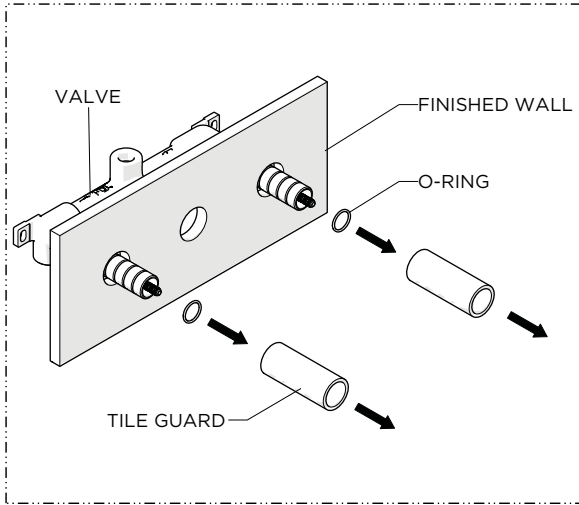
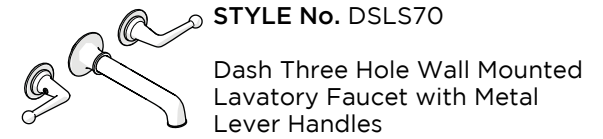
- **CAUTION:** Mark and remove the **THREADED TUBE** before cutting. Do **NOT** cut the end with the internal threads.
- **CAUTION:** Mark and remove the **CARTRIDGE** using a 21/32" [17mm] shower valve socket wrench before cutting.

DIMENSION	VALUE
A	1/2" [13mm]
B	3/8" [10mm]
C	3" [76mm] MIN 5-1/2" [140mm] MAX
D	Ø1-3/8" [35mm]

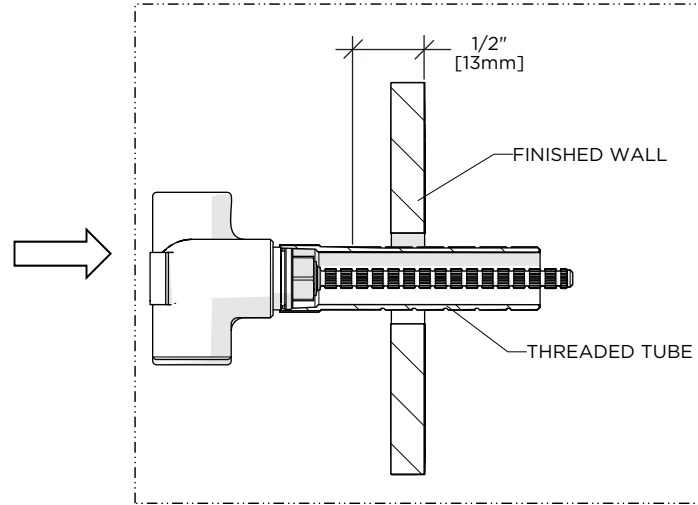


WATERWORKS

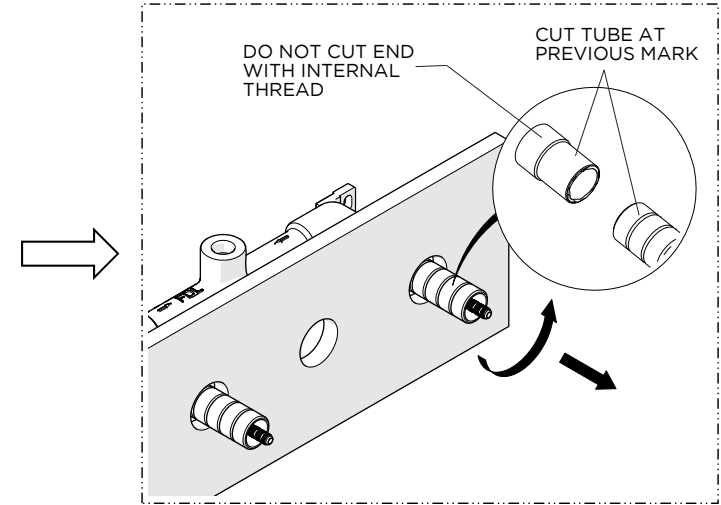
INSTALLATION GUIDELINES



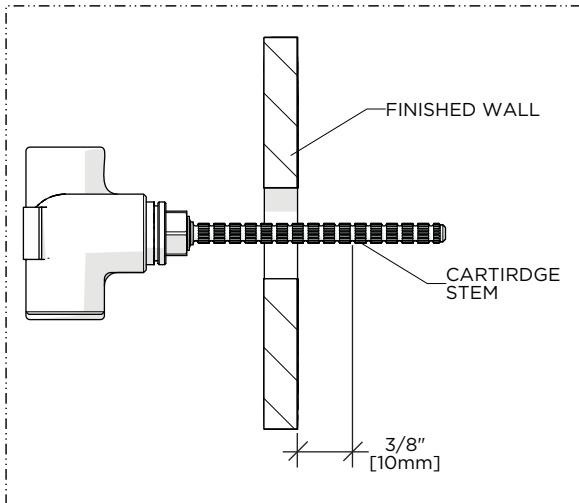
1. Remove the TILE GUARDS and the O-RINGS from the VALVE.



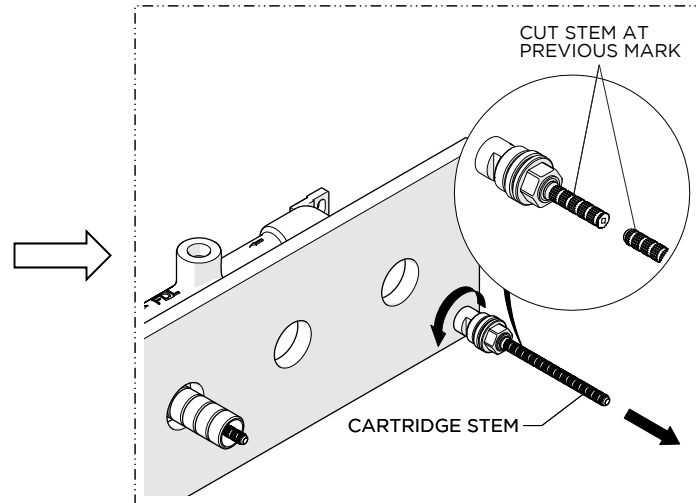
2. Mark the THREADED TUBE 1/2" [13mm] behind the finished wall.



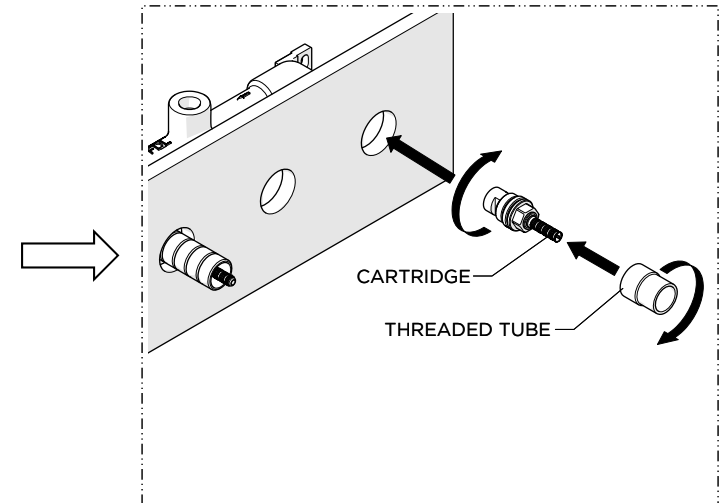
3. Unthread the THREADED TUBE then cut the TUBE at the previous mark. Do NOT cut the end with the internal thread.



4. Mark the CARTRIDGE STEM 3/8" [10mm] beyond where it protrudes from the finished wall.



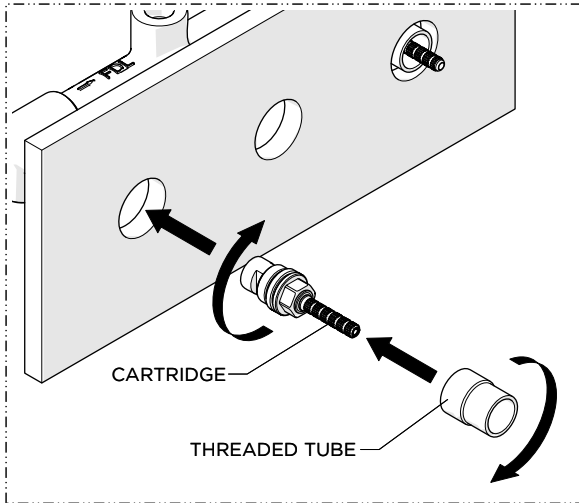
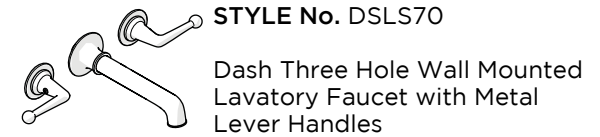
5. Remove the CARTRIDGE using a 21/32" [17mm] shower valve socket wrench (not provided) then cut the STEM at the previous mark.



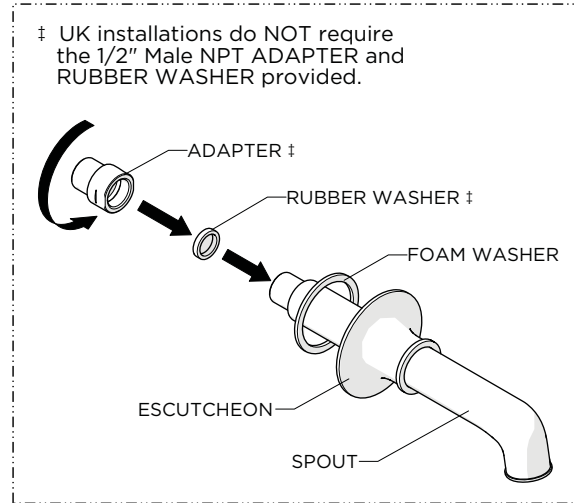
6. Thread and securely tighten the CARTRIDGE back into the VALVE then thread the THREADED TUBE back onto the CARTRIDGE.

WATERWORKS

INSTALLATION GUIDELINES

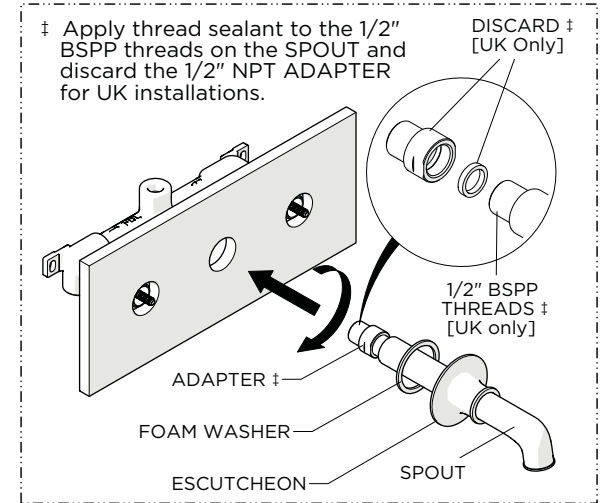


7. Repeat Steps 2 - 6 to cut the second [2nd] THREADED TUBE and CARTRIDGE STEM.



‡ UK installations do NOT require the 1/2" Male NPT ADAPTER and RUBBER WASHER provided.

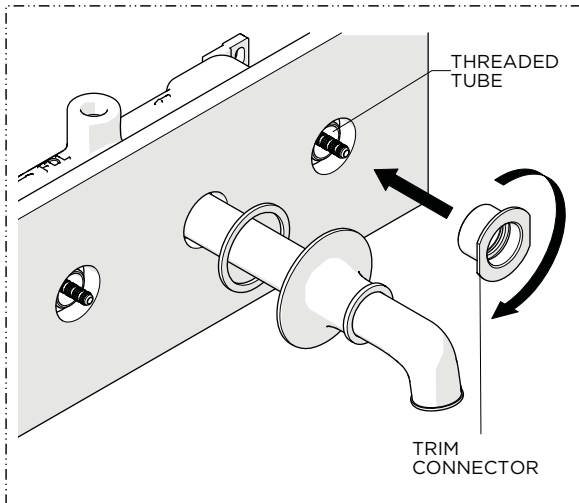
8. Slide the ESCUTCHEON onto the SPOUT, making sure to use the FOAM WASHER provided, then thread the 1/2" NPT ADAPTER ‡ onto the SPOUT using the RUBBER WASHER provided.



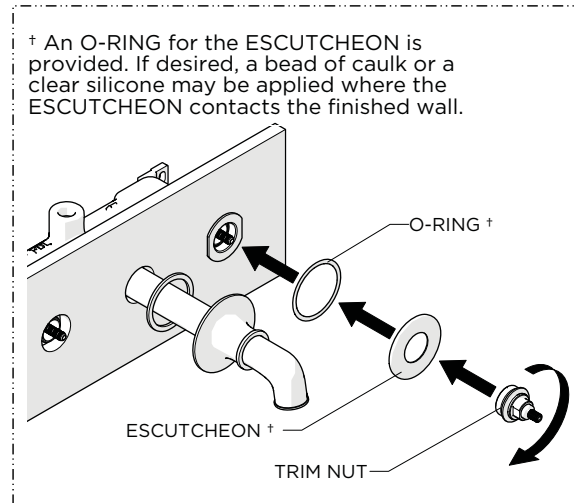
‡ Apply thread sealant to the 1/2" BSPB threads on the SPOUT and discard the 1/2" NPT ADAPTER for UK installations.

9. Apply thread sealant to the ADAPTER ‡ then thread and securely tighten the SPOUT into the VALVE.

NOTE: Apply thread sealant to the 1/2" BSPB threads on the SPOUT for UK Installations.

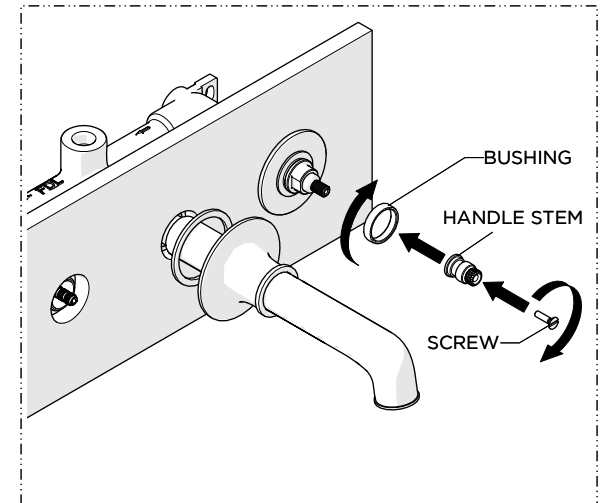


10. Thread and securely tighten the TRIM CONNECTOR onto the THREADED TUBE.



† An O-RING for the ESCUTCHEON is provided. If desired, a bead of caulk or a clear silicone may be applied where the ESCUTCHEON contacts the finished wall.

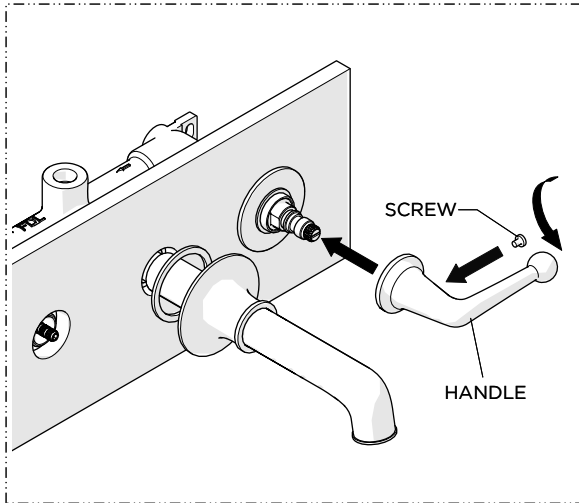
11. Hold the ESCUTCHEON against the finished wall, making sure to use the O-RING provided, and thread the TRIM NUT into TRIM CONNECTOR and securely tighten using a 5/8" [16mm] wrench.



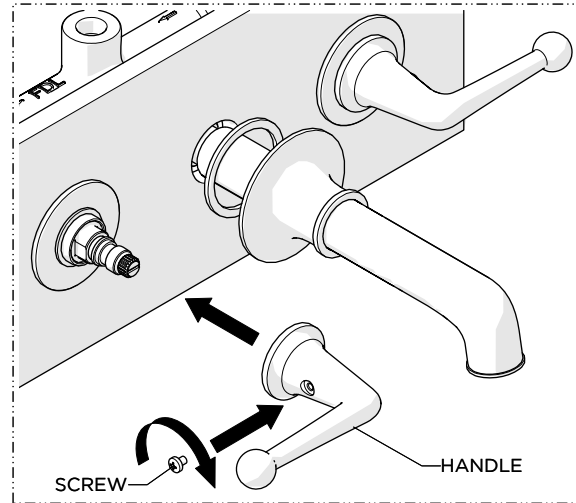
12. Thread the BUSHING onto the TRIM NUT. Place the HANDLE STEM onto the TRIM NUT then thread and securely tighten the SCREW.

WATERWORKS

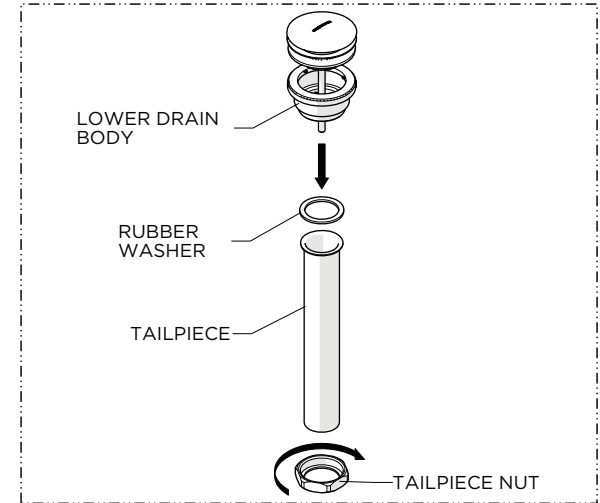
INSTALLATION GUIDELINES



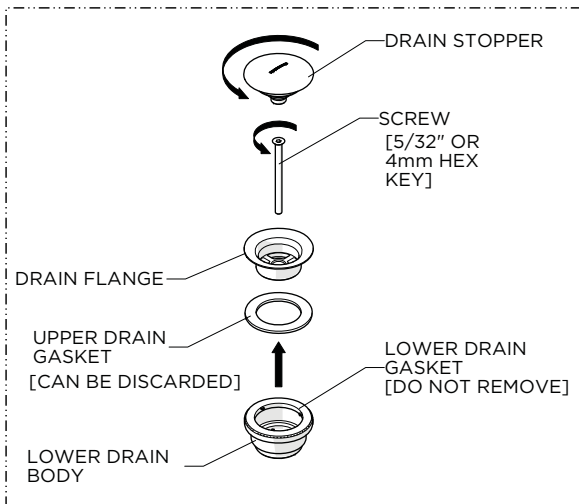
13. Place the HANDLE onto the HANDLE STEM in the desired orientation then thread and securely tighten the SCREW.



14. Repeat Steps 12 - 13 to install the second [2nd] HANDLE.

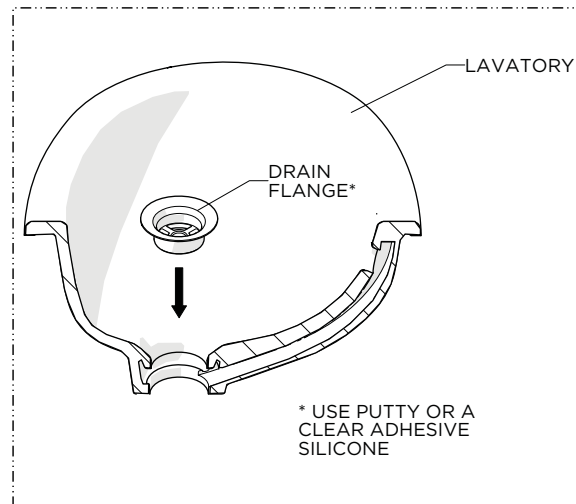


15. Remove the TAILPIECE from the LOWER DRAIN BODY.

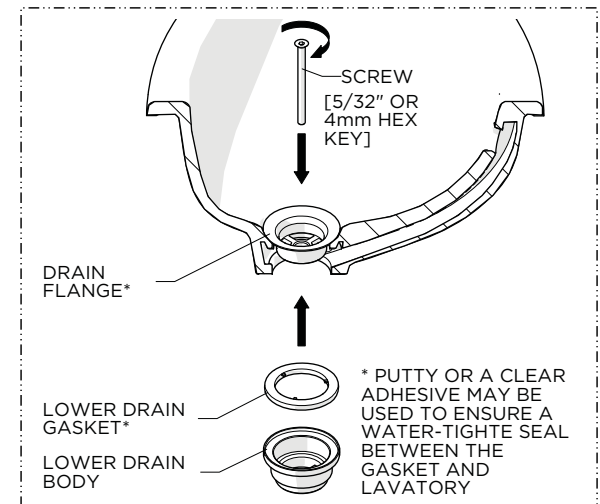


16. Unthread and remove the DRAIN STOPPER and LOWER DRAIN BODY from the DRAIN FLANGE. The UPPER DRAIN GASKET can be discarded.

CAUTION: Do NOT discard the LOWER DRAIN GASKET.

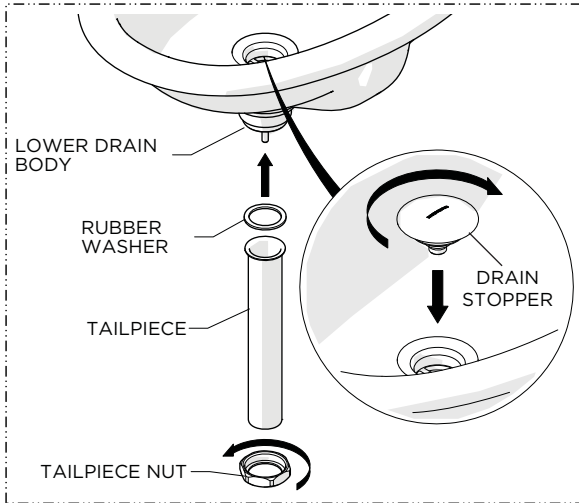
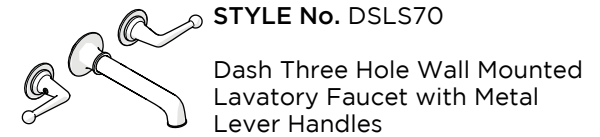


17. Set the DRAIN FLANGE in the lavatory [sold separately] using putty or a clear adhesive silicone.

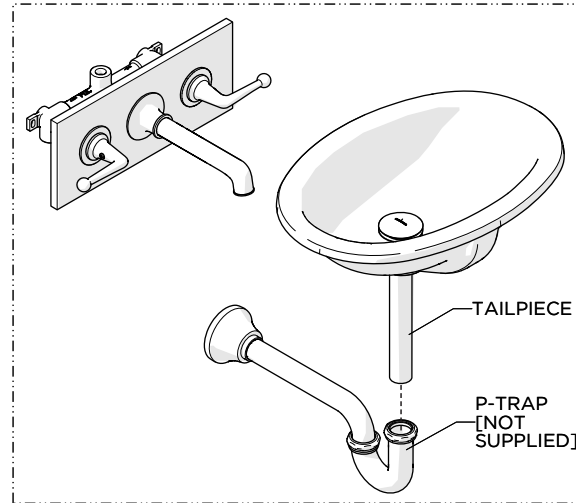


18. Re-install the LOWER DRAIN BODY making sure to use the GASKET provided. Ensure the GASKET makes a full seal on the underside of the lavatory then securely tighten the SCREW.

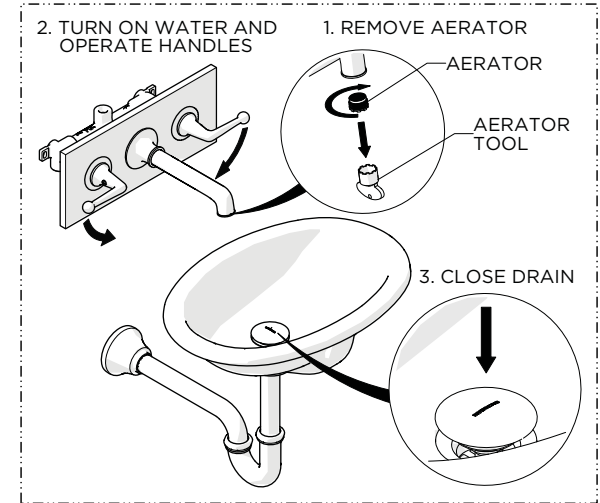
INSTALLATION GUIDELINES



19. Re-install the DRAIN STOPPER then the TAILPIECE using the WASHER and NUT provided.

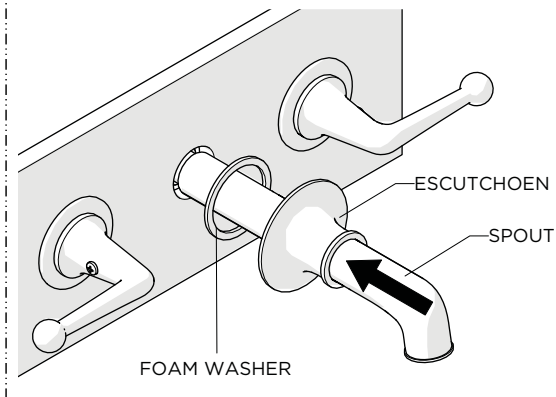


20. Make final P-TRAP [sold separately] connections.



21. Removed the AERATOR, turn on the water to flush out the supply lines, and inspect all connections for leaks. Close the DRAIN to ensure it functions properly then turn off the water and re-install the AERATOR.

† A WASHER for the ESCUTCHEON is provided. If desired, a bead of caulk or a clear silicone may be applied where the ESCUTCHEON contacts the finished wall.



22. Slide the ESCUTCHEON against the finished wall making sure to use the FOAM WASHER provided.