

DASH

DSSH20

Dash Wall Mounted Gooseneck 8" Shower Head, Arm and Flange



SHOWN IN DASH WALL MOUNTED GOOSENECK 8" SHOWER HEAD, ARM AND FLANGE| DSSH20

TECHNICAL DETAILS

Adjustable versus Fixed Spray: Fixed Spray
Diameter of Head: 7 3/4"
Escutcheon Primary Material: Brass
Fittings Hole Diameter: 1 1/4"
Flow Restriction Options: 2.0, 1.75, 1.5
Depth / Width: 24 3/16"
Height: 21 1/16"
Inlet Connection Size: 1/2"
Inlet Connection Type: Female NPT
Installation Type: Wall Mounted
Integrated Diverter: N
Length: 7 3/4"
Pivot: Y
Primary Material: Brass
Restricted Maximum Flow Rate: 2.5 gpm
Suggested Application: Bath
Water Pressure Maximum: 85.0 psi
Water Pressure Minimum: 20.0 psi
Water Pressure Recommended: 45.0 psi

INSPIRATION

A blend of art and function, Dash pays homage to design elements of the 1930s with pared-down shapes, softened curves and minimal details.

PRODUCT FEATURES

Includes 8" metal rain head with easy clean rubber nozzles

Stocked in Nickel, Chrome, Unlacquered Brass, and Matte Nickel finishes

Standard flow rate is 2.5gpm (9.5 L/min). Also available in high efficient flow options. Contact your sales associate or call 1 (800) 899-6757 for details.

DASH

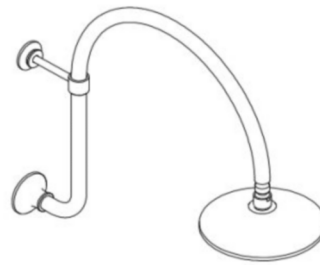
DSSH20

Dash Wall Mounted Gooseneck 8" Shower Head, Arm and Flange



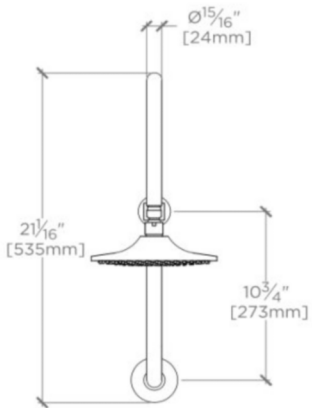
TOP VIEW

SCALE: 1"=1'-0"



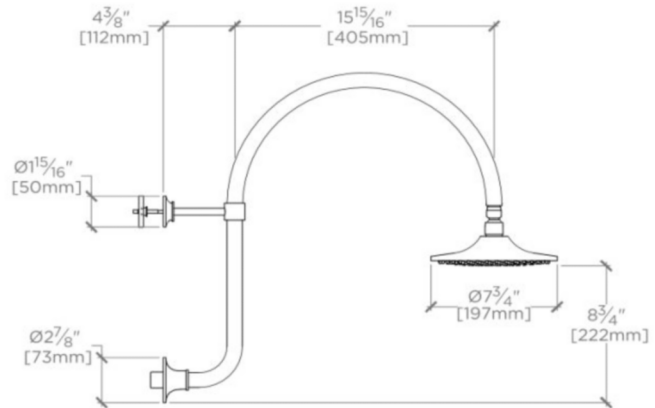
ISO VIEW

SCALE: 1"=1'-0"



FRONT VIEW

SCALE: 1"=1'-0"



SIDE VIEW

SCALE: 1"=1'-0"