

ROLL

Manual / Wall-mounted



DTP025CS

General Description

- Surface Mounted Roll Paper Towel Dispenser shall hold and dispense one 200 or 230 mm wide up to 244m long standard towel roll up to diameter 220 mm and one stub roll up to diameter 100 mm.
- Automatic transfer mechanism shall dispense towels from stub roll before starting new roll.
- Lever operated unit and shall adjust to dispense 64, 102 or 127 mm preset length of towel.
- Towel dispensing slot shall be smooth and burr-free for snag-free dispensing and user safety.
- Compact, robust and vandal-proof design.
- Suitable for collectivities. It can be installed in hospitals, elderly centers, offices, production centers kitchens and catering, etc.

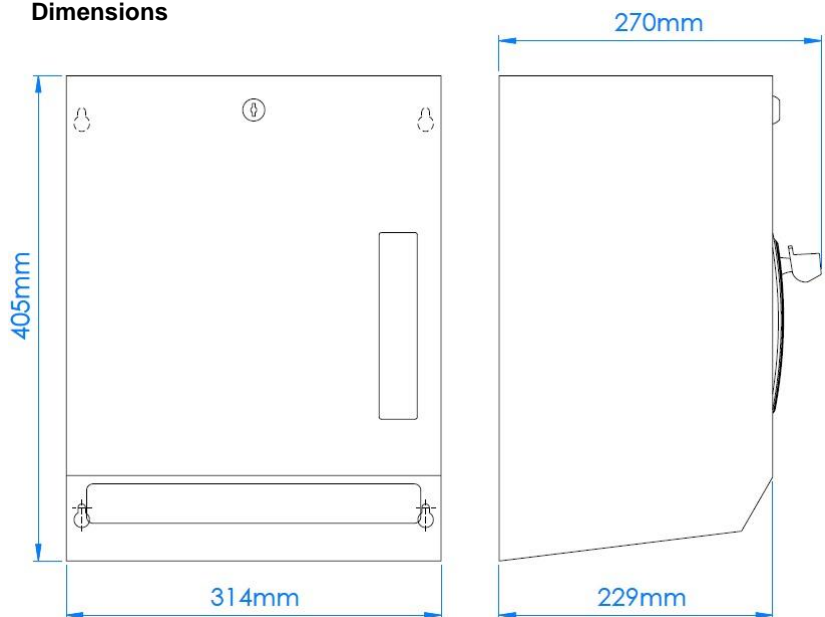
Components & materials

- **DTP025CS:** Stainless steel satin finish, 0.8 mm thick.
- **UNIT FRAME AND CABINET:** made in stainless steel AISI 304, 0.8 mm thick.
- **DOOR:** made in stainless steel AISI 304, 0.8 mm thick. It is attached to cabinet at side with a full length multi-staked stainless steel piano hinge and shall be held closed with a tumbler lock keyed alike to other washroom equipment.
- **INSTALLATION LABEL:** permanently affixed to inside rear panel to illustrate correct paper loading, length preset pin selection and stub roll transfer.
- **ROLL PAPER TOWEL MECHANISM:** made of enamel painted steel.

Technical Specifications

Unit frame, cabinet & door thickness	0,8 mm
Main roll	Ø220 mm
Stub roll	Ø100 mm
Paper width	From 200 to 230 mm
Net weight	4,5 Kg

Dimensions



Dimensions ± 4%

OPERATION

Towels are fed by lever action until supply is depleted. Towel feed length is adjustable for economy by pin (supplied) limiting of lever stroke length by owner. Unit may be reloaded with a full roll to automatically start when finished with an existing partial roll. Locking door prevents unauthorized access or removal.

MOUNTING

RECOMMENDED HEIGHTS DISTANCE FROM THE FLOOR

115-145 cm at lower point (usual mounting) // 70-105 cm at lower point (for the handicapped).