

## DASH

DSVC01

Dash Volume Control Valve Trim with Metal Cross Handle



SHOWN IN DASH VOLUME CONTROL VALVE TRIM WITH METAL CROSS HANDLE| DSVC01

### TECHNICAL DETAILS

Control Valve Rough-in Depth Maximum: 4 1/8"  
Control Valve Rough-in Depth Minimum: 2 7/8"  
Escutcheon Primary Material: Brass  
Fittings Hole Diameter: 1 3/8"  
Handle Turn Angle: Quarter Turn  
Depth / Width: 2 11/16"  
Height: 2 15/16"  
Installation Type: Wall Mounted  
Integrated Diverter: N  
Length: 2 15/16"  
Number of Handles: One  
Primary Material: Brass  
Suggested Application: Bath

### INSPIRATION

A blend of art and function, Dash pays homage to design elements of the 1930s with pared-down shapes, softened curves and minimal details.

### PRODUCT FEATURES

Metal Cross Handle

Used to control water flow to a single waterway outlet such as a shower head, handshower, or tub spout

Stocked in Nickel, Chrome, Unlacquered Brass, and Matte Nickel finishes

Requires a 3/4" Volume Control Valve Rough: Counterclockwise On: US: GUV16 and UK GU16VC or Clockwise On:

US: GUV17 and UK: GU17VC sold separately

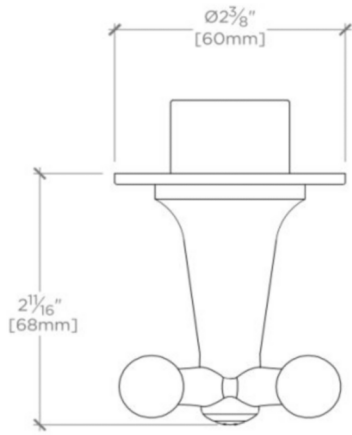
### PRODUCT (NOTES)

Product Requires Universal 3/4" Counter-Clockwise Open Volume Control Valve [GUV16], or Universal 3/4" Clockwise Open Volume Control Valve [GUV17]. Valve Sold Separately.

## DASH

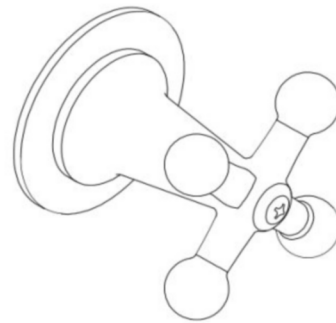
DSVC01

Dash Volume Control Valve Trim with Metal Cross Handle



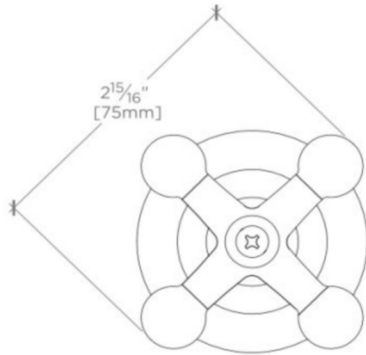
TOP VIEW

SCALE: 6"=1'-0"



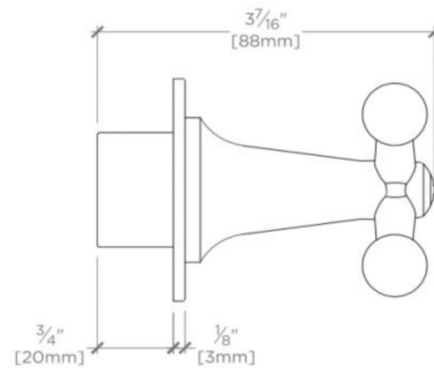
ISO VIEW

SCALE: 6"=1'-0"



FRONT VIEW

SCALE: 6"=1'-0"



SIDE VIEW

SCALE: 6"=1'-0"