



WE ARE IB

Collection

HERMES ELLE

Article

HL350_3

Description

Wall mounted shower mixer with shower kit.

Box Dimensions

425x188x98 mm

Weight

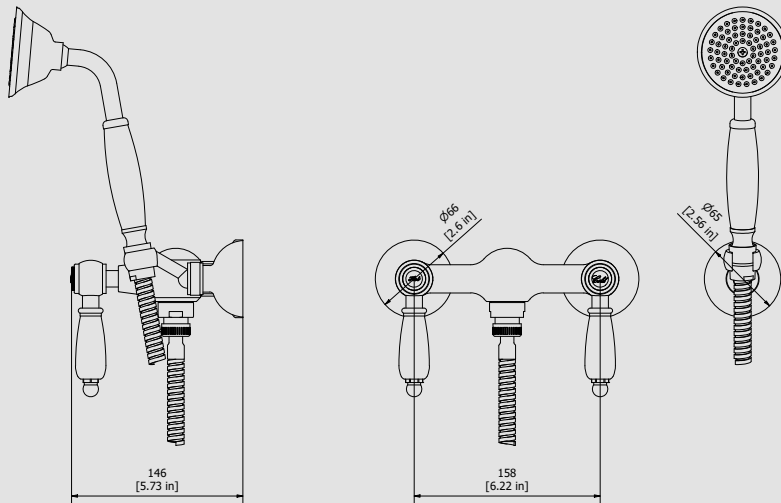
1.7 kg

Finishes

- **CC** CHROME
- **PL** PLATINUM
- **SS** BRUSHED NICKEL
- **ON** NATURAL BRASS
- **BO** MATT WHITE
- **NP** MATT BLACK
- **CF** BLACK CHROME
- **CS** BRUSHED BLACK CHROME
- **II** PALE GOLD
- **IS** BRUSHED PALE GOLD
- **RS** ROSE GOLD
- **SR** BRUSHED ROSE GOLD
- **OO** GOLD
- **OS** BRUSHED GOLD
- **RR** ANTIQUE COPPER
- **BB** ANTIQUE BRONZE



Dimensions



Cartridge

Ceramic headwork

Threaded fitting

G1/2" Male

Aerator

-

Flow Rate (+/-10%)

1 BAR	2 BAR	3 BAR
15 l\m	21.5 l\m	26 l\m

Production

Main body is a single casted pieces.

Material

BRASS
According to CuZn40Pb3 (CW614N)
Max Lead content: 2.5%

IB RUBINETTERIE s.p.a
via dei Pianotti 3/5
25068 Sarezzo (BS) - Italy -

T. +39 030 802101
F. +39 030 803097
info@weareib.it

P.IVA 01785230986
capitale sociale
€420.000,00 i.v.

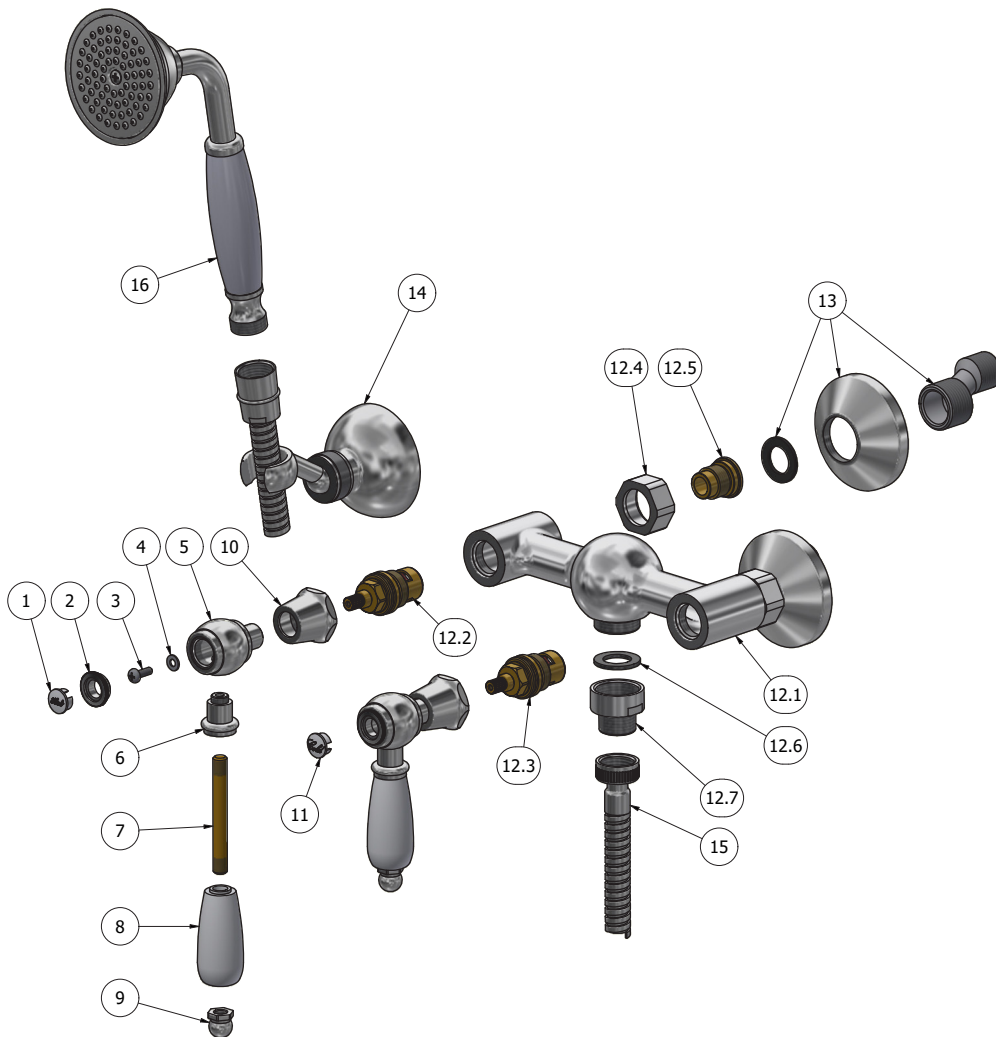
www.weareib.it





WE ARE IB

Elenco parti			
ELEM.	CODICE	NUMERO DI MAGAZZINO	QTA
1	AQ0013551	Handle's plug hot	1
2	AQ0009069	Cover Ø20 PLS	2
3	AQ0010985	Screw M4x12	2
4	AQ0010229	Washer for M4	2
5	AC0003397	Lever Ø31.5 H42	2
6	AC0004500	Insert for handle	2
7	AT0004520	Rod M8x1 L68.5	2
8	AQ0004525	Grip handle	2
9	AC0004510	Domed nut	2
10	AC0003100	Cap for headwork	2
11	AQ0013552	Handle's plug cold	1
12	CPKHR350CCX01	Pre mounted shower	1
12.1	AQ0009652	Body shower mixer	1
12.2	AQ0002135	Ceramic headwork 90° left	1
12.3	AQ0003930	Ceramic headwork 90° right	1
12.4	AC0009356	Nut G3/4"	2
12.5	AS0009661	Sede con OR H29.5	2
12.6	AQ0001600	Gasket 24x16x2 G3/4"	1
12.7	AC0001280	Reduction G3/4" F G1/2" M H25	1
13	AQ0000530	Rosette kit with eccentric and rubber	2
14	AQ0002000	Support for head shower	1
15	AQ0003120	Flessibile G1/2" F G1/2" conico L1500	1
16	AQ0008031	Old America shower white	1





WARRANTY

All IB Rubinetterie SpA products are warranted for 10 years from the date of purchase, for the following cases:

- Defects of casting, porosity and chrome plating.
- Operating defects caused by incorrect fabrication.

The warranty provides for repair or replacement of products with fabrication defects recognized by our technical office. There is no other type of compensation anche the merchandise must be returned FOB our warehouse. The warranty only cover surface defects (scatches, dings, etc.) on fitting that have not been installed and used, returned in its original packaging with all components. O-ring, gasket seals and components subject to wear proportional to use are warranted for 2 years.

The warranty is void in the following cases:

Error installing and putting the product into service.

Deterioration of finished surfaces due to use of cleaning products containing acids or abrasive substances. Deterioration of surface with finishes other than chrome plating. Their durability is, in fact, dependent on the user's care and gentleness of use.

Deterioration of the fitting due incorrect installation.

Improper repairs and maintenance performed without the company's prior authorization.

The warranty from IB Rubinetterie SpA is not renewable.

Cleaning

We recommended cleaning the finish surfaces with water and soap, using a soft cloth.

Do not use detergents that contain hydrochloric acid or abrasive substances.

