

**31-8.3**

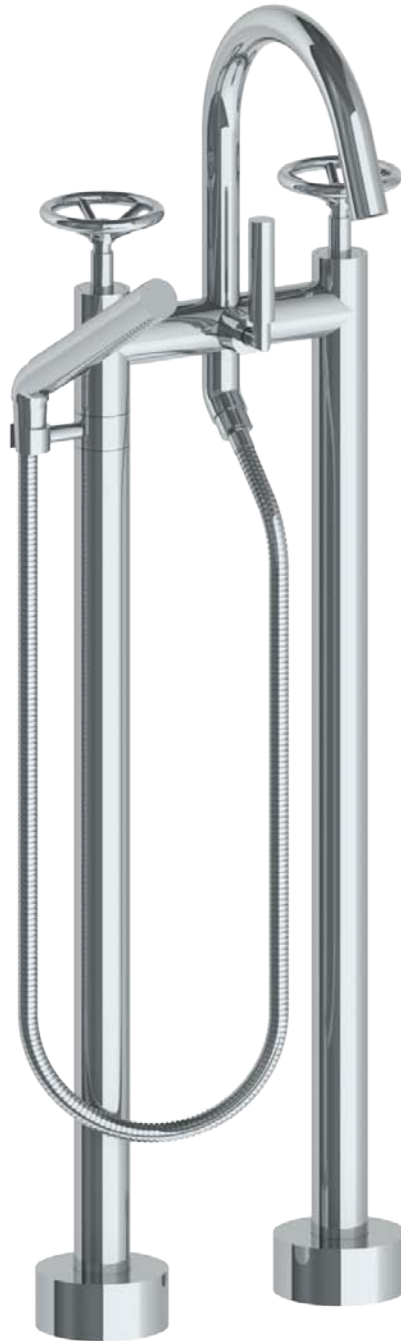
Floor Mounted Bath Set with Hand Shower

For use with SS-FL8.3 concealed rough

**Hand Shower Flow Rate: 1.75 GPM**

**Bath Spout Flow Rate: 8.0 GPM @ 80 PSI**

**Note: Some building codes require remote pressure balance valves for anti-scald**



Meets the applicable requirements of ASME A112.18.1-2005/CSA B125.1-05, entitled "Plumbing Supply Fittings"

**WATERMARK DESIGNS** 4/27/2018

350 Dewitt Ave Brooklyn NY 11207 USA T 718 257 2800 F 718 257 2144 info@watermark-designs.com

**31-8.3**

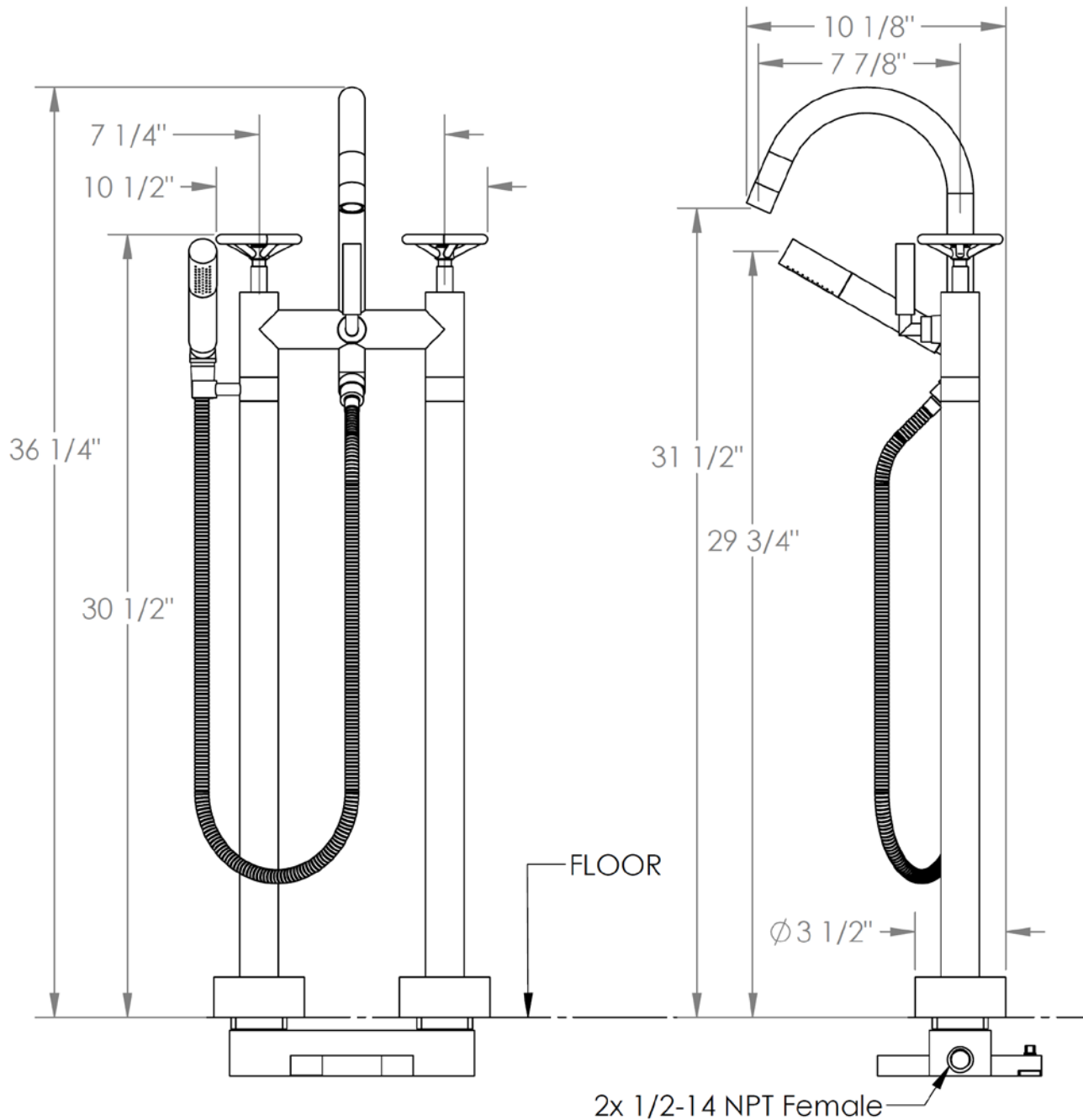
Floor Mounted Bath Set with Hand Shower

For use with SS-FL8.3 concealed rough

**Hand Shower Flow Rate: 1.75 GPM**

**Bath Spout Flow Rate: 8.0 GPM @ 80 PSI**

**Note: Some building codes require remote pressure balance valves for anti-scald**



Meets the applicable requirements of ASME A112.18.1-2005/CSA B125.1-05, entitled "Plumbing Supply Fittings"