

IMO Wall valve anti-clockwise closing 1/2" - Brushed Durabronz (23kt Gold)

IMO

36 607 980



- rosette 60 x 60 mm
- head part with cut-to-length spindle and sleeve
- WRAS 2011026, 2010066

| | | |
|--|-------------------------------|---------------|
|  | Brushed Durabronz (23kt Gold) | 36 607 980-28 |
|  | Chrome | 36 607 980-00 |
|  | Brushed Platinum | 36 607 980-06 |
|  | Platinum | 36 607 980-08 |
|  | Dark Chrome | 36 607 980-19 |
|  | Brushed Light Gold | 36 607 980-27 |
|  | Matte Black | 36 607 980-33 |
|  | Brushed Chrome | 36 607 980-93 |
|  | Brushed Dark Platinum | 36 607 980-99 |

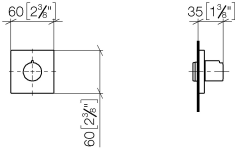
Required miscellaneous



- Wall valve 1/2" -** 35 607 970 90
- max. recess depth 145 mm
 - min. recess depth 75 mm

36 607 980

mm [inches]



Codes & Standards

DIN 4109

EN 1111

EN 200

ISO 3822

Scottish Water
Byelaws

UK Water Supply
Regulations

Ü-Zeichen

Certificates

DVGW_DW-
6501DN0

WRAS_2010

LGA_29

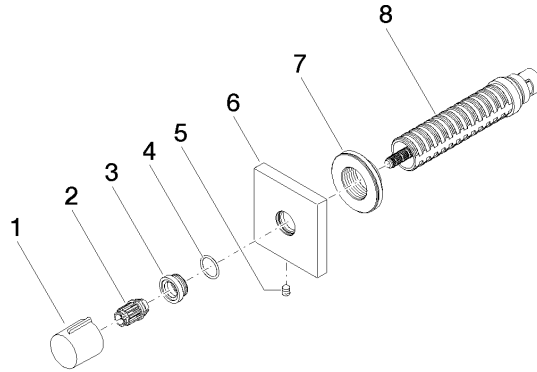
LGA_29

DVGW_DW-
6512DN0

WRAS_2011

36 607 980

Product version from 6/1/2024





IMO Wall valve anti-clockwise closing 1/2" - Brushed Durabronz (23kt Gold)

IMO

36 607 980

Spare parts list

Product version from 6/1/2024

| No. | Item Number | Name | Quantity used | Delivery time |
|-----|-----------------|--------|---------------|---------------|
| | 09 20 98 001-28 | handle | 8 | 20 |