

E24317



Collection: CLÉO 1889

Finish*:



Main features:



Features

- DIMENSIONS: 30 x 12.80 cm
- MATERIAL: Metal
- TYPE: Single-lever
- HEIGHT UNDER SPOUT: 291
- CONNECTION: With supply hoses
- TYPE OF KITCHEN TAP: Single-lever mixer
- MECHANISM GUARANTEE: 5 years
- Brushed stainless steel PVD finish guaranteed 25 years.

- WEIGHT: 1.9 kg
- INSTALLATION TYPE: 1 hole
- FLOW RATE: 8 l/mn
- SPOUT PROJECTION: 248
- WATER/ENERGY-SAVING: WATER-SAVING
- INSTALLATION TYPE: 1 hole
- FINISH GUARANTEE: PVD 25 years Chrome 10 years

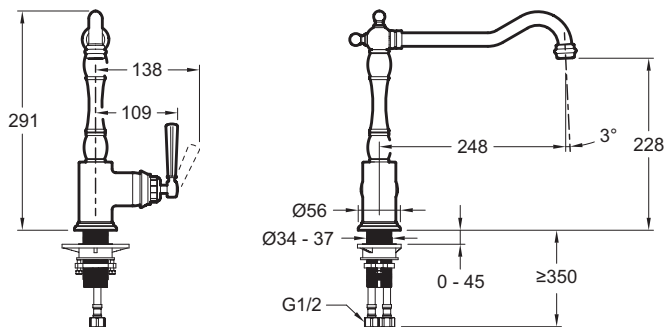
Consumer benefits

- CHARMING TRADITIONAL STYLE: Classic lines, selection of fine materials - a collection with a confident retro style. Careful ornamental details.
- POLISHED CHROME FINISH: A traditional choice to create a timeless kitchen with a restrained look. 10-year guarantee.
- BRUSHED STAINLESS STEEL FINISH: A brushed finish suited to kitchen use. Perfectly coordinates with stainless steel sinks. Perfect contrast with colour or ceramic sinks. PVD finish that is highly resistant to corrosion and scratches. 25-year guarantee.
- HIGH-PRECISION MECHANISM: Mechanical cartridge that moves fluidly to easily find the ideal temperature. The single-lever mixer plays with the retro style while maintaining modern comfort.
- WATER EFFICIENCY: Maximum flow rate 8 L/min, optimized for comfortable kitchen use (washing, filling) without overusing water.
- REAL CERAMIC HANDLE: Handle in faceted ceramic plays with light and provides a subtle radiance to your space. This fine material enhances the faucet's authentic style.
- COMFORT OF USE: Good height under the aerator and great spout depth for excellent comfort for washing/filling recipients.

Installation benefits

- SIMPLIFIED INSTALLATION: Thanks to a fixing kit with a threaded tailpiece

Technical drawing



Product Specification: Single-lever kitchen sink mixer. E24317. Collection: CLÉO 1889. DIMENSIONS: 30 x 12.80 cm. WEIGHT: 1.9 kg. MATERIAL: Metal. INSTALLATION TYPE: 1 hole. TYPE: Single-lever. FLOW RATE: 8 l/mn. HEIGHT UNDER SPOUT: 291. SPOUT PROJECTION: 248. CONNECTION: With supply hoses. WATER/ENERGY-SAVING: WATER-SAVING. TYPE OF KITCHEN TAP: Single-lever mixer. INSTALLATION TYPE: 1 hole. MECHANISM GUARANTEE: 5 years. FINISH GUARANTEE: PVD 25 years Chrome 10 years. Brushed stainless steel PVD finish guaranteed 25 years..