



DJ0252AC
Bright finish

General Description

- Automatic countertop-mounted soap dispenser, 1.6 l capacity, manufactured in chromed brass, bright finish.
- Available in bright finish, this automatic countertop-mounted soap dispenser has a functional, robust and trendy design that matches the new range of Mediclinics bathroom accessories. This allows this soap dispenser to blend into any space perfectly.
- Suitable for high traffic facilities and for public use.
- Operates on 4 alkaline batteries type D (not supplied) or **optionally**, with an AC adapter, Mediclinics code: KA0252.
- Dispenses liquid soap or hand sanitizing gel.
- It is recommended to use liquid soap or hand sanitizing gel with the following characteristics:
 - Maximum alcohol content of 80%
 - Density between 0.9 and 1.35 kg/dm³
 - Viscosity between 2,000 and 3,500 cps.

It does not support soaps that contain methanol, chlorine or solid or abrasive particles.

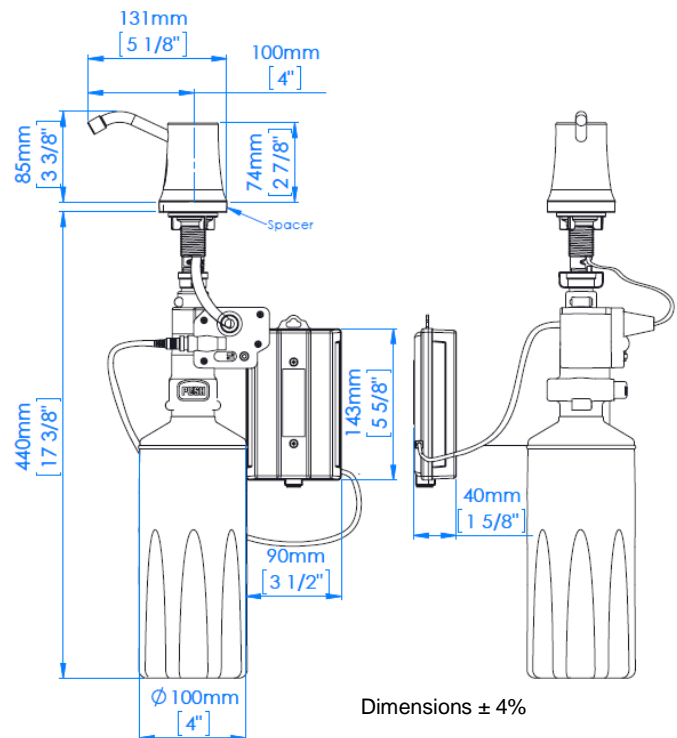
Components & materials

- DJ0252AC:** chromed brass, bright finish.
- SPOUT ASSEMBLY:** chromed brass, bright finish, 131x74x85 mm.
- SOAP TANK:** refillable tank, 1,600 ml capacity and made in Polyethylene (PE).
- POWER INPUT:** dc 6v, dX4Alkaline battery (not supplied) or **optionally**, with an AC adapter, Mediclinics code: KA0252. Stand-by current less than 100 µA and active current less than 1 A.
- LED INDICATOR:** red LED ON when sensing an object. Red LED constantly ON means low battery light. Blue LED flashes when soap level is low.
- INFRARED SENSOR:** self-adjustable sensing distance from 90 to 130 mm. It requires between 0.5 to 1 second to carry out the dispensing operation.

Technical Specifications

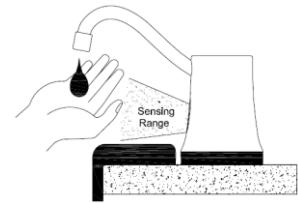
Dimensions (spout)	131x74x85 mm
Capacity	1.600 ml
Net weight	950 g
Quantity dispensed per pump	0,8- 2,2 ml
Power	DC 6V
Battery Type	4 x D 1.5V Alkaline
Battery lifetime	50.000 cycles
Operating temperatures	4-50 °C
Operating humidity	20-90%
IP degree	IP43

Dimensions



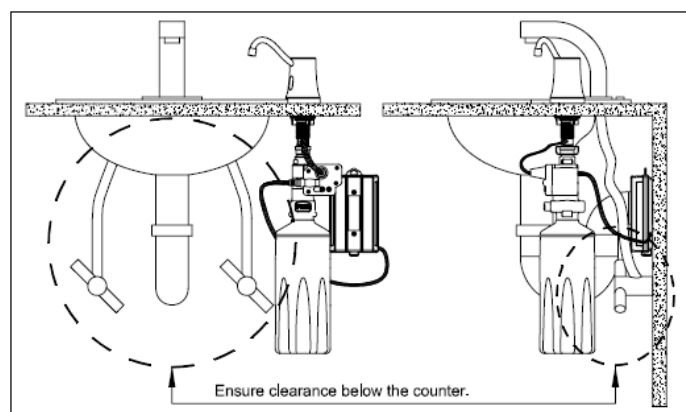
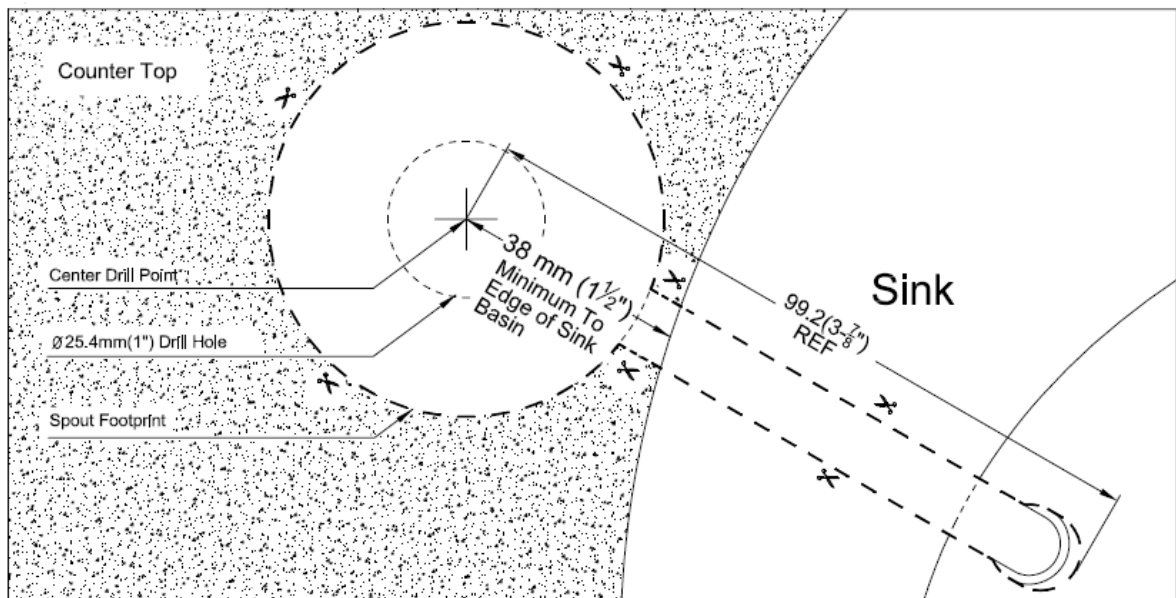
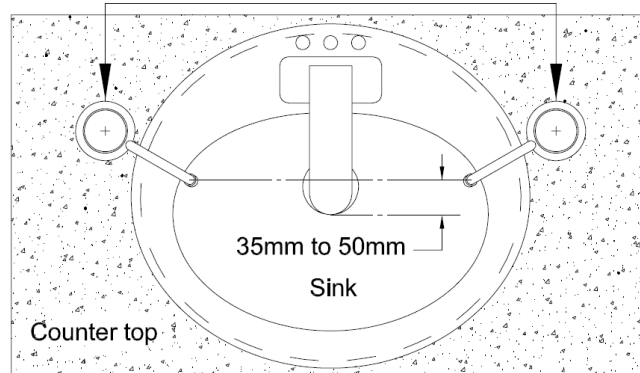
OPERATION

Place your hand under the spout. Soap will be dispensed automatically within 1 second. Keep the hand in this position until the end of the soap dosage



MOUNTING TEMPLATE

Dispenser can be located on the left or right of the sink



Mediclinics, S.A., reserves the right to make changes and/or modifications to the products and their specifications without prior notice.
Revision 12-20 © mediclinics. S.A

