

# Automatic Deck Mount Dispenser Instruction Manual

## 1. Specifications:

Bottle Capacity	1600 ml (54 oz)
Battery Type DC 6V	4 x D 1.5V Alkaline Batteries
Sensing Range	Auto Adjustment
Operating Temp.	4°C~40°C (39°F~104°F)
Activation Time	0.5 ~ 1 sec
Soap Volume	1~2ml (0.03 oz~0.067 oz)
Viscosity	2000~3500 mPa · s (3500 centipoise MAX)

## 2. Assembly and Packaging List Ref Fig. 1

Item	Description	Qty
1	Spout Assembly	1
2	Low Voltage LED Light (Red)	
3	Low Soap LED Light (Blue)	
4	Spout Assembly Connection	
5	Wrench for tightening item 7 Basin Nut	1
6	Rubber Gasket	2
7	Basin Nut	1
8	Spacer (add 10mm height) Optional	1
9	Control Box	1
10	Soap Counter Reset Button (Orange) (Must reset after every refill)	
11	Counter Adjustment Switches 800 times (1600 ml tank) Low Soap LED Disable/Enable (See detail Fig. 14)	1
12	Control Box Mounting Nut	1
13	Soap Tank Release Button	
14	Battery Box	1
15	Battery Box Connection Cable	
16	Soap Tank, Refillable	1
17	Screws & Anchors Kit M4x19; Ø7 Hole	2 sets
18	Alkaline Batteries Required D 1.5V PC1300 Duracell Procell Suggested (Optional)	4

Fig. 1

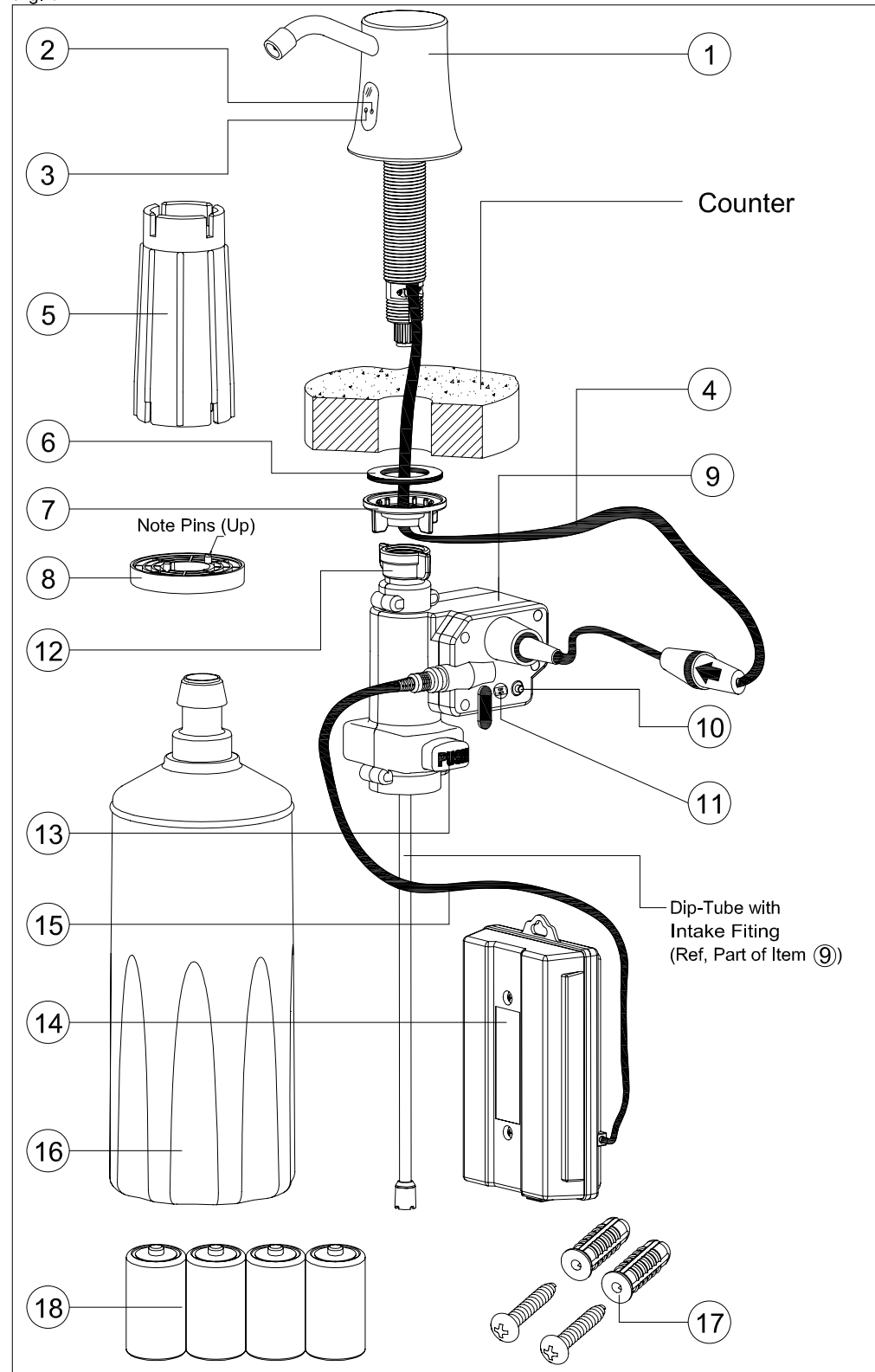


Fig. 2B (Counter drilling template)

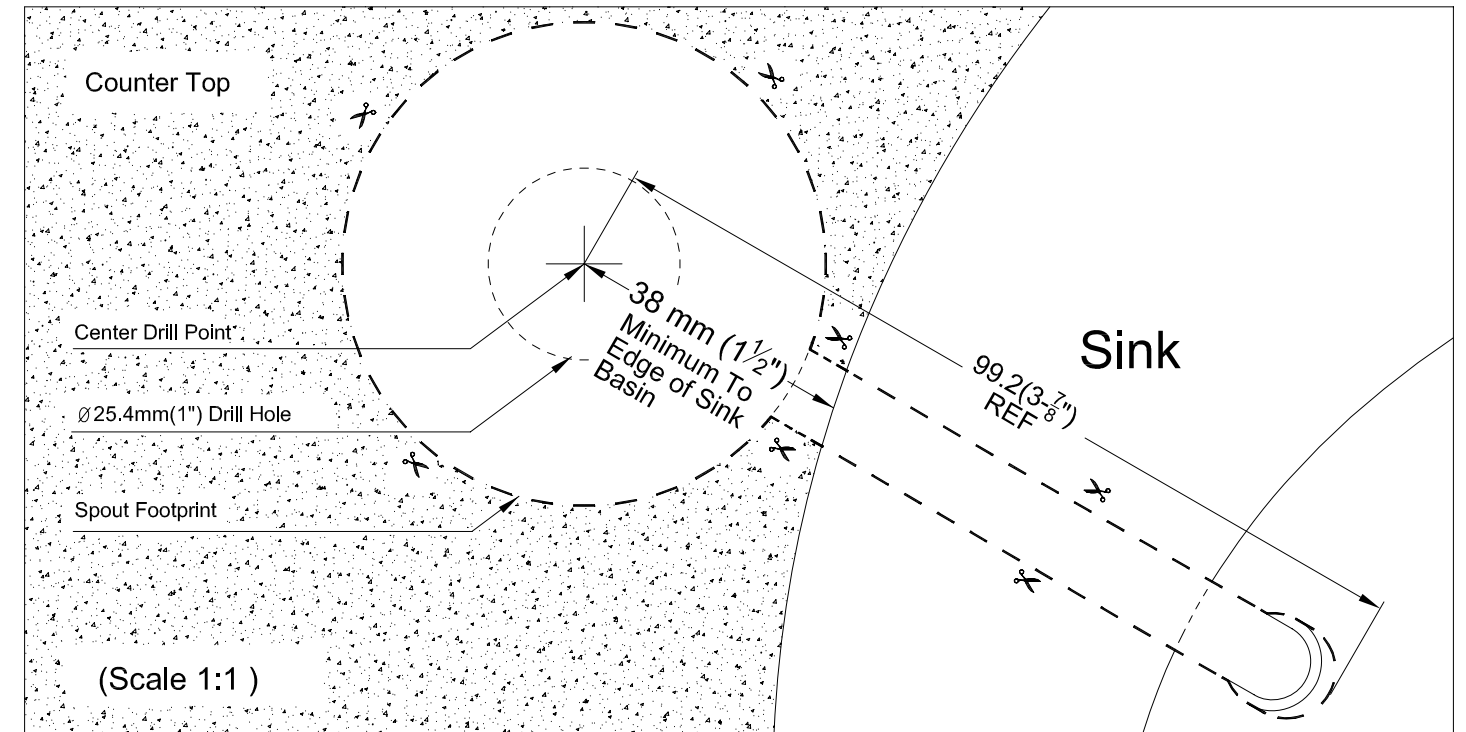


Fig. 3

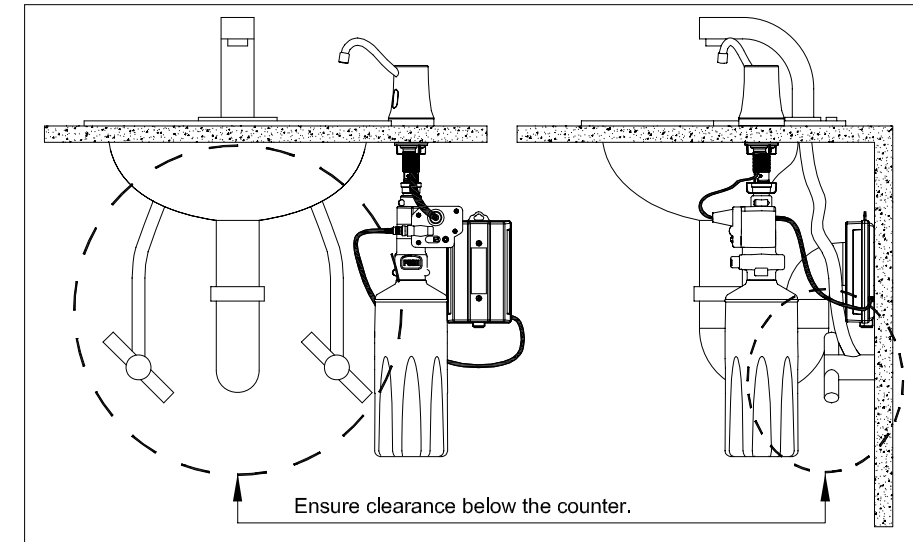


Fig. 4

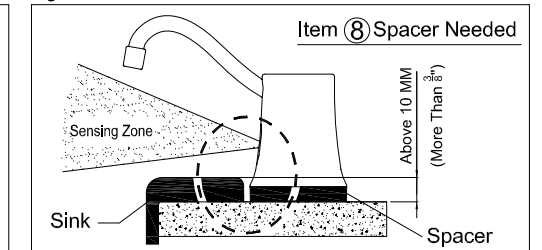
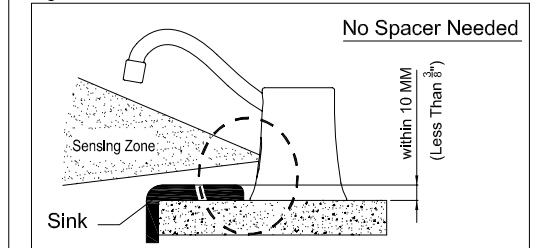


Fig. 5



## 3. Installation

### 3-1. Replacing Existing Dispenser.

- Remove old components.
- Clean area.
- Check if hole is large enough.
  - Check if small, enlarge to Ø25.4 (1" Dia)
  - If larger than Ø44.5 (1-3/4" Dia) provide reducer bushing (not included)
- Proceed to 3-3.

### 3-2. New Dispenser Installation.

- Choose a suitable location (Fig 2A), cut and paste installation template (Fig. 2B) on the drilling location. (Ensure clearance above and below the counter as shown in Fig. 3).
- Drill a 25.4mm (1") diameter hole in counter top.
- Clean area around hole.

### 3-3. Determine whether adding a spacer is needed (Paragraph 8).

- Add spacer if sink rim is 10mm (3/8") higher than the counter (Fig. 4).
- No need to add spacer if sink is within 10 mm (3/8") above the counter (Fig. 5)

Dispenser can be located on the left or right of the sink

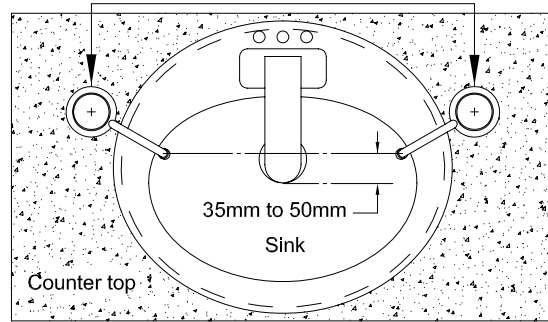


Fig. 2A

## 4. Spout Installation:

### 4-1. Do You Need Spacer? (Fig. 7).

- Add spacer, engage pins & grooves.
- Place first rubber gasket.
- Place spout shank into counter hole.
- Place second rubber gasket.
- Place basin nut.
- Adjust spout angle (Fig. 6) then tighten by hand with wrench provided.

### 4-2. No Spacer Needed (Fig. 8).

- Guide spout shank into counter hole.
- Place rubber gasket.
- Place basin nut.
- Adjust spout angle (Fig. 6) then tighten by hand with wrench provided.

Fig. 6

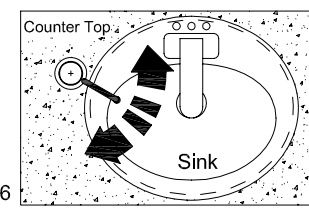


Fig. 7

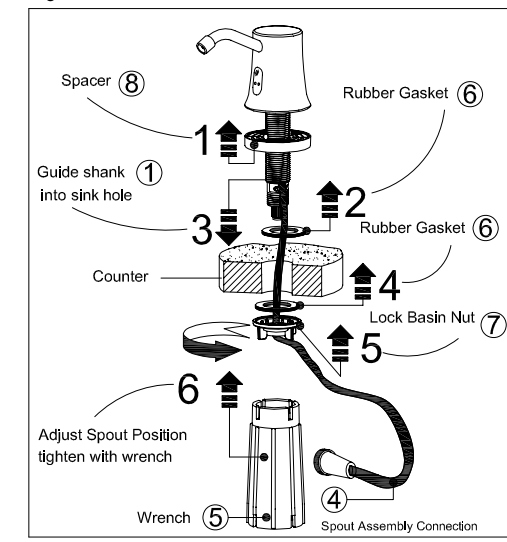
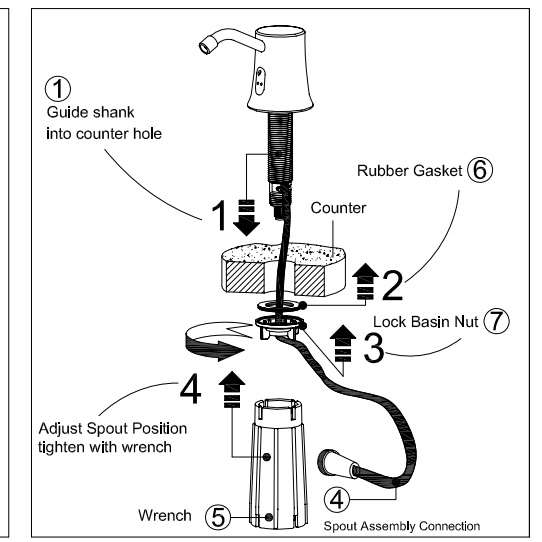


Fig. 8



# Dispenser Mounting Hole Drilling Template (Scale 1:1) Opposite Side Fig. 2B.

## 5. Control Box Installation:

### 5-1. Installation procedure (Fig. 9).

1. Ensure area around soap tank release button (13) and counter reset button (10) and connection line is clear for operation
2. Confirm position then turn mounting nut to tighten control box onto spout shank.
3. Plug-in connection line (4) from spout into control box.

## 6. Battery Box Installation:

### 6-1. Correct Polarity (Fig. 15).

1. Make sure the batteries are installed in correct polarity position.

### 6-2. Wall mount (Fig. 10).

1. Mark screw holes with back plate.
2. Drill two  $\varnothing 6\text{mm}$  or  $\varnothing 7$  [ $\varnothing 1/4$ ] holes.
3. Install anchors.
4. Screw in the backplate tightly.
5. Install 4 "D" 1.5V alkaline batteries (Fig. 15).
6. Place battery box cover.
7. Connect power line into control box.

### 6-3. Removable installation (Fig. 11).

1. Drill a  $\varnothing 6\text{mm}$  or  $\varnothing 7$  [ $\varnothing 1/4$ ] hole in a convenient location.
2. Install anchor.
3. Drive in the screw to leave partially out.
4. Hang the battery box on the screw.
5. Connect power line into control box.

Fig. 15

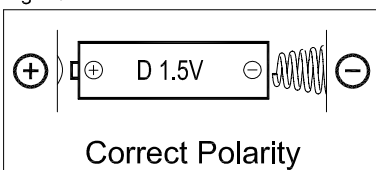


Fig. 9

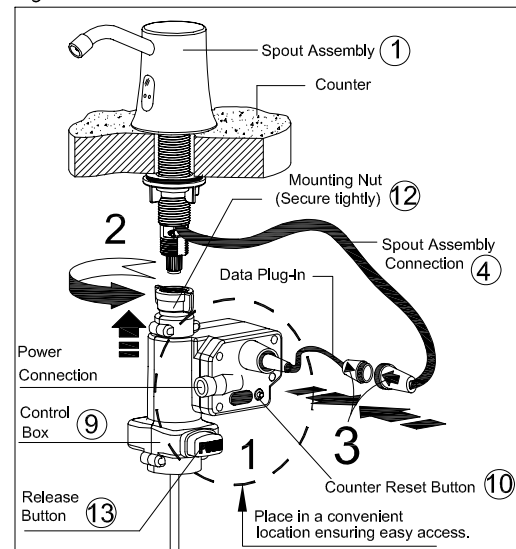


Fig. 11

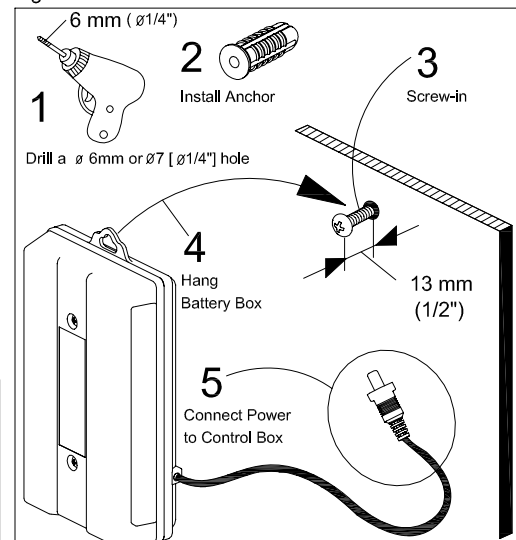
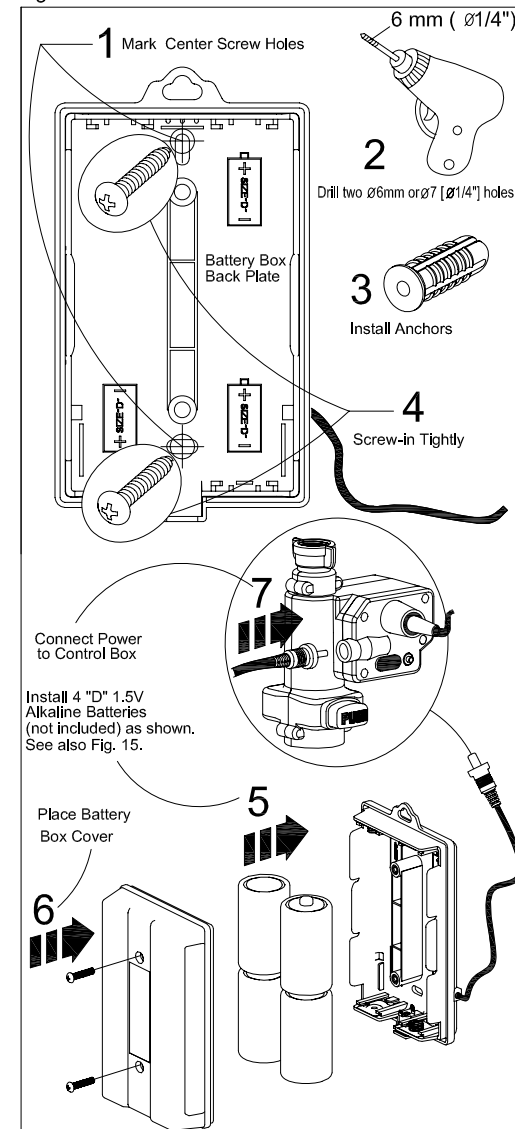


Fig. 10



## 7. Refill Soap Supply: (Fig. 12).

1. Ensure soap is free of particles (Viscosity 2000~3500 mPa·s).
2. Ensure filling cup and funnel are clean.
3. Max filling level as shown in Fig. 12.
4. Soap tank will clip-on from bottom up. Avoid Kinking Dip-tube.
5. Push counter reset button (must reset after every refill).
6. Press PUSH to release soap tank for refilling.
7. Clean soap tank with water periodically.
8. When low soap level indicator is turned off (see Fig. 14), remember to check regularly and refill soap when level is approximately 20 MM(3/4") from bottom.

## 8. Operation:

1. Start the system by passing your hand under the spout. Soap will dispense automatically within 1 second. (Fig. 13) (Dispense 10~20 times for first time use to prime dip-tube).
2. Refill soap when soap level is low. (Fig. 12).
3. Low soap LED condition indicator can be turned ON or OFF (see Fig. 14). Factory setting is preset to ON.

## 9. Maintenance:

1. Use soft and moist cloth to clean. Avoid spraying water directly at the system.
2. Clean sensor cover with care. Avoid scratching the cover.
3. Replace batteries every year on anniversary of installation or sooner if high use requires.
4. During power connection, red LED light will flash four times to indicate system reset/ready.

Fig. 13

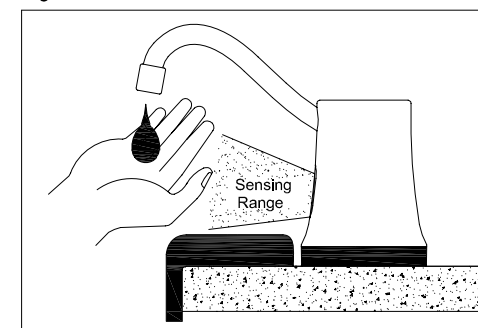


Fig. 14

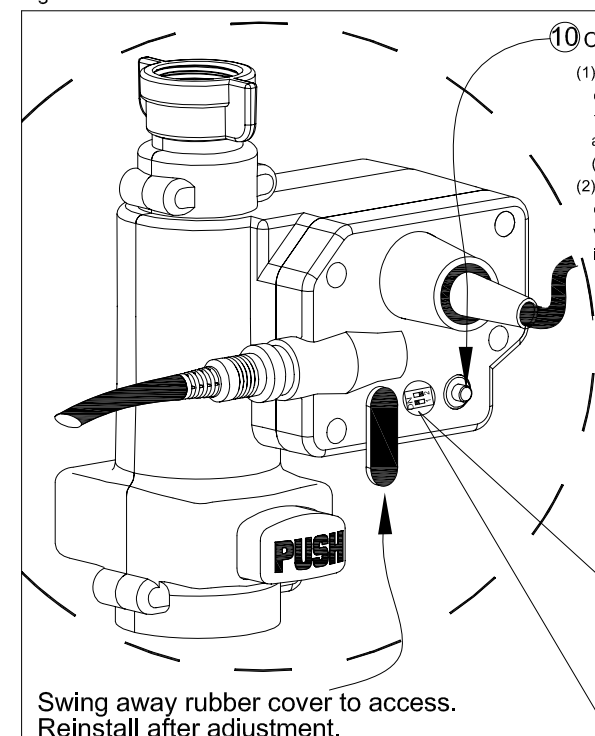
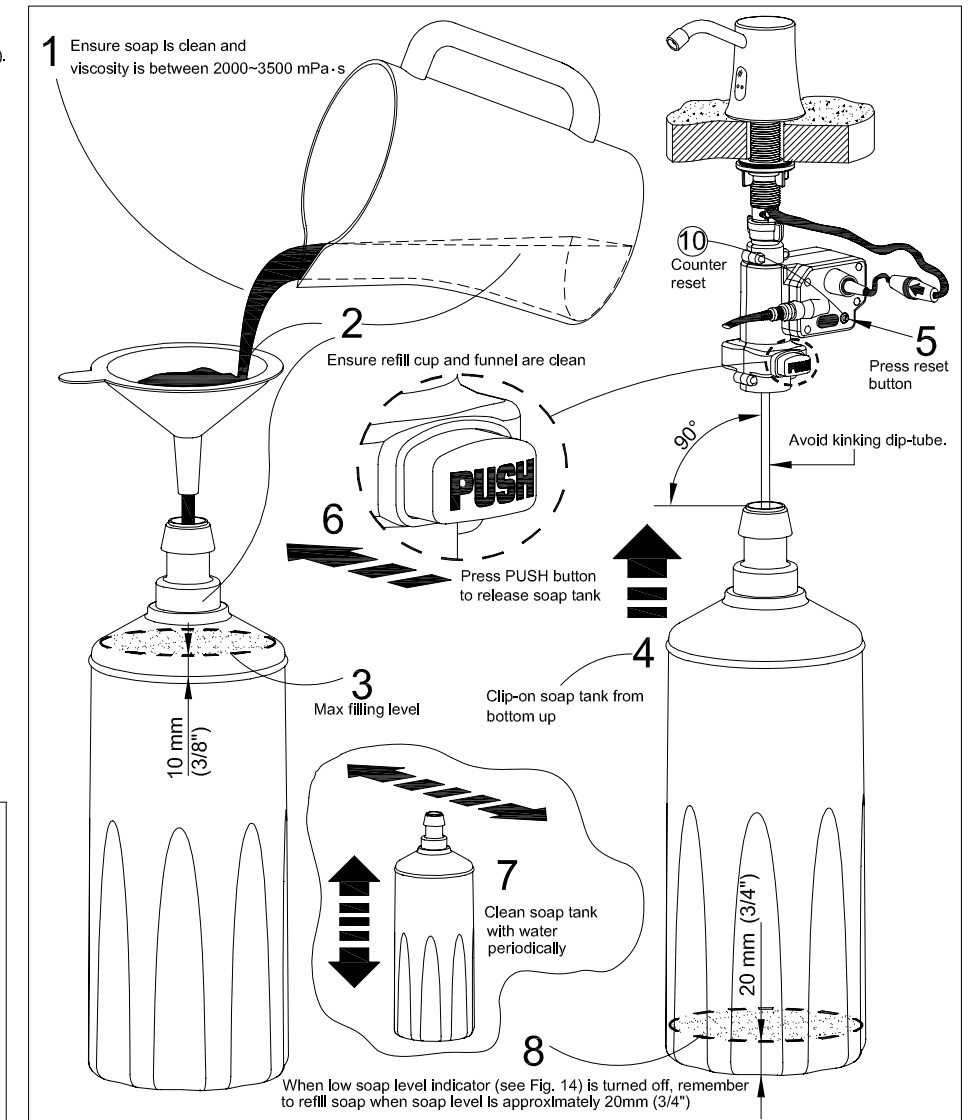


Fig. 12



## 10. Troubleshooting:

Problem	Diagnosis & Solutions
Red LED not working	<ul style="list-style-type: none"> <li>• Check if batteries are properly installed.</li> <li>• Change batteries if power is depleted.</li> <li>• Sensor cover is blocked or dirty. Please clean sensor cover with care.</li> </ul>
Red LED solid on	<ul style="list-style-type: none"> <li>• Batteries low.</li> <li>• Replace batteries.</li> </ul>
Red LED flashing	<ul style="list-style-type: none"> <li>• Sensor is detecting an object. Remove any object that is causing false activation.</li> <li>• System malfunction; please consult with distributor.</li> </ul>
Blue LED flashing	<ul style="list-style-type: none"> <li>• Low Soap Level.</li> <li>• Press counter reset button (10).</li> <li>• Refill Soap</li> <li>• System malfunction; please consult with distributor.</li> </ul>
Low dispensing volume	<ul style="list-style-type: none"> <li>• Remove and clean soap tube and tip. Reinstall.</li> <li>• Verify soap viscosity is in range.</li> <li>• System malfunction; please consult with distributor.</li> </ul>
Not dispensing	<ul style="list-style-type: none"> <li>• Reinstall all cables. Check soap level. (ensure battery voltage is above 5.4 V)</li> <li>• System malfunction; please consult with distributor.</li> </ul>
Problem not described above	<ul style="list-style-type: none"> <li>• Please consult distributor.</li> </ul>