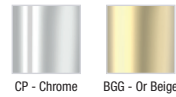


E24311



Collection: CLÉO 1889

Finish*:



Main features:



Features

- DIMENSIONS: 133 x 26 x 14.80 cm
- MATERIAL: Metal
- SHOWER TAPS-WATER/ENERGY SAVING: Water-saving
- SHOWER TAPS-HANDSHOWER FLOW: 9 L/min

- WEIGHT: 5.4 kg
- INSTALLATION TYPE: Wall-mount
- WITH OR WITHOUT BRASSWARE: WITH FITTINGS
- NUMBER OF SPRAYS: 5

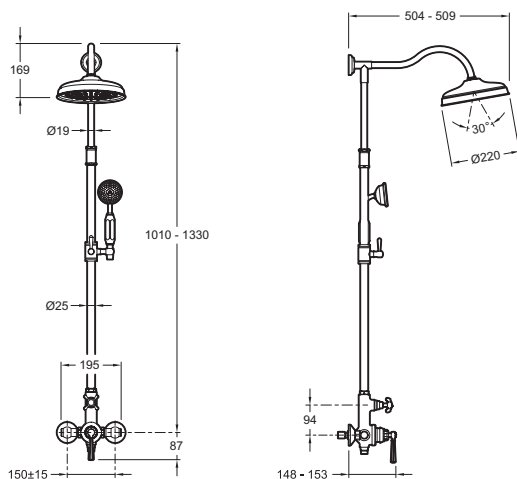
Consumer benefits

- THE CHARM OF VINTAGE: Classic lines, a selection of superior materials, a collection in a solid retro style.
- "POLISHED CHROME" FINISH: A traditional choice for creating a timeless, sober bath. 10-year warranty.
- "BEIGE GOLD" FINISH: a rich, radiant finish that enhances the space, thanks to the warm sheen that underscores the collection's luxurious side. PVD finish guaranteed 25 years.
- COMFORT: Wide showerhead for comfortable water coverage.
- WATER EFFICIENT: Maximum flow 9 L/min.
- HIGH-PRECISION MECHANISM: Mechanical cartridge moves fluidly to easily find the ideal temperature. The mixer plays on the retro style while preserving modern comfort.
- HANDLE IN REAL CERAMIC MATERIAL: Handle in faceted ceramic plays with light and offers a subtle shine to your space. This superior material underscores the tap's authentic style.
- METAL HOSE: Metal hose to enhance the retro style.

Installation benefits

- EASY INSTALLATION: Arm can be swivelled during installation.

Technical drawing



Product Specification: Shower column. E24311. Collection: CLÉO 1889. DIMENSIONS: 133 x 26 x 14.80 cm. WEIGHT: 5.4 kg. MATERIAL: Metal. INSTALLATION TYPE: Wall-mount. SHOWER TAPS-WATER/ENERGY SAVING: Water-saving. WITH OR WITHOUT BRASSWARE: WITH FITTINGS. SHOWER TAPS-HANDSHOWER FLOW: 9 L/min. NUMBER OF SPRAYS: 5.

*Due to possible variations in computer and printer calibrations, technical factors and certain finish characteristics, the colors you see may not accurately portray the actual colors and are provided as a guide only.