



Artifacts™

Freestanding bath with White exterior
K-21000-W

Features

- Freestanding bath is a focal point and adds character to your bathing space.
- Integral lumbar support on both ends.
- Safeguard® slip-resistant surface on bath floor.
- Coordinates with Artifacts® faucets.

Material

- KOHLER® enameled cast iron.
- Painted exterior in White.

Installation

- Freestanding.

Required Products/Accessories

- K-204 ball-and-claw feet
- K-7159 1-1/2" pop-up bath drain for freestanding baths

or

- K-20027 bath base for freestanding bath
- K-7159 1-1/2" pop-up bath drain for freestanding baths

Recommended Products/Accessories

- K-23726 Drain treatment
- K-23725 Cast iron cleaner



Codes/Standards

- ASME A112.19.1/CSA B45.2
- ASTM F462

KOHLER® Enameled Cast Iron Bath and Shower Base Lifetime Limited Warranty

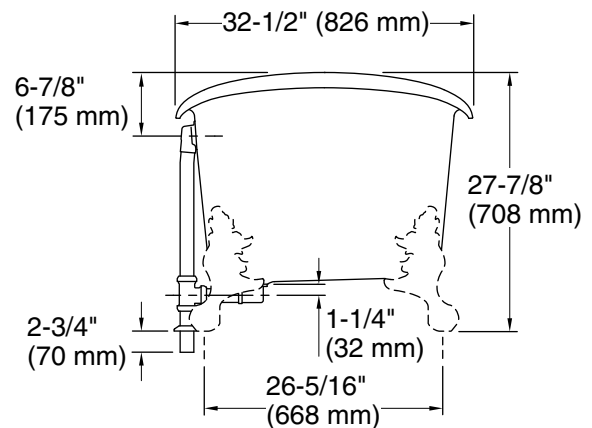
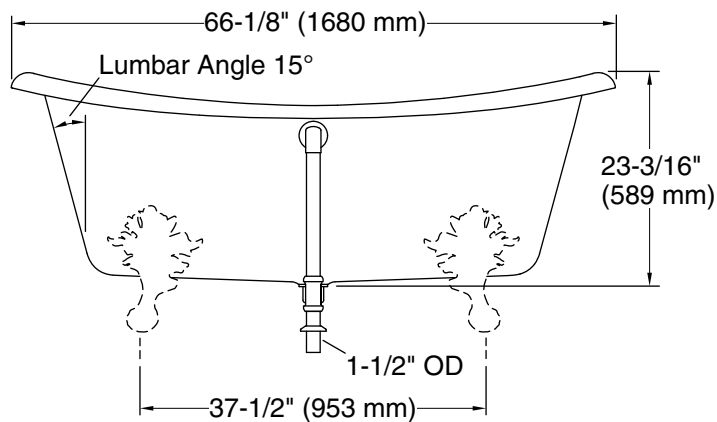
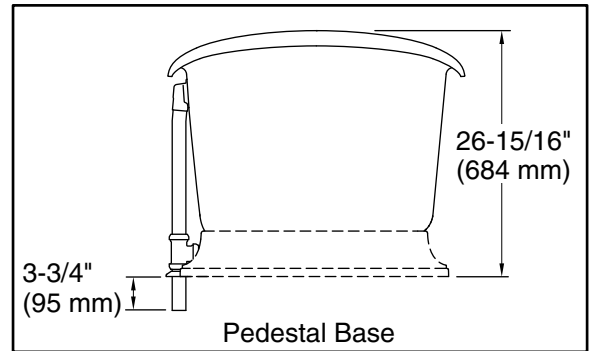
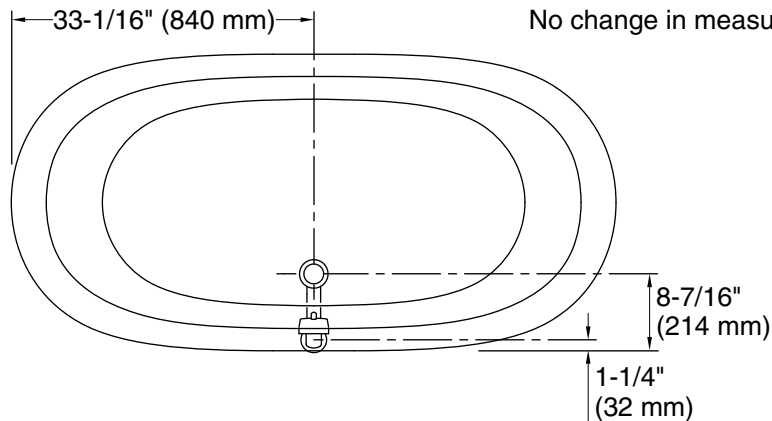
See website for detailed warranty information.

Available Colors/Finishes

Color tiles intended for reference only.

Color Code Description

	0	White
--	---	-------



Technical Information

All product dimensions are nominal.

Installation:	Freestanding
Drain location:	Center rear
Basin area, bottom:	48-15/16" x 24-3/4" (1243 mm x 629 mm)
Basin area, top:	58-11/16" x 27-13/16" (1491 mm x 706 mm)
Weight:	396.2 lbs (179.7 kg)
Minimum floor load:	90 lbs/ft ² (439.4 kg/m ²)
Water depth:	14-3/8" (366 mm)
Water capacity:	90 gal (340.7 L)
Template:	Footprint, 1344921-7, required, not included

Notes

Measure your actual product for rough-in details.

Install this product according to the installation instructions.

The hot water supply should be 70% of the capacity of the bath or greater. Installations will vary.