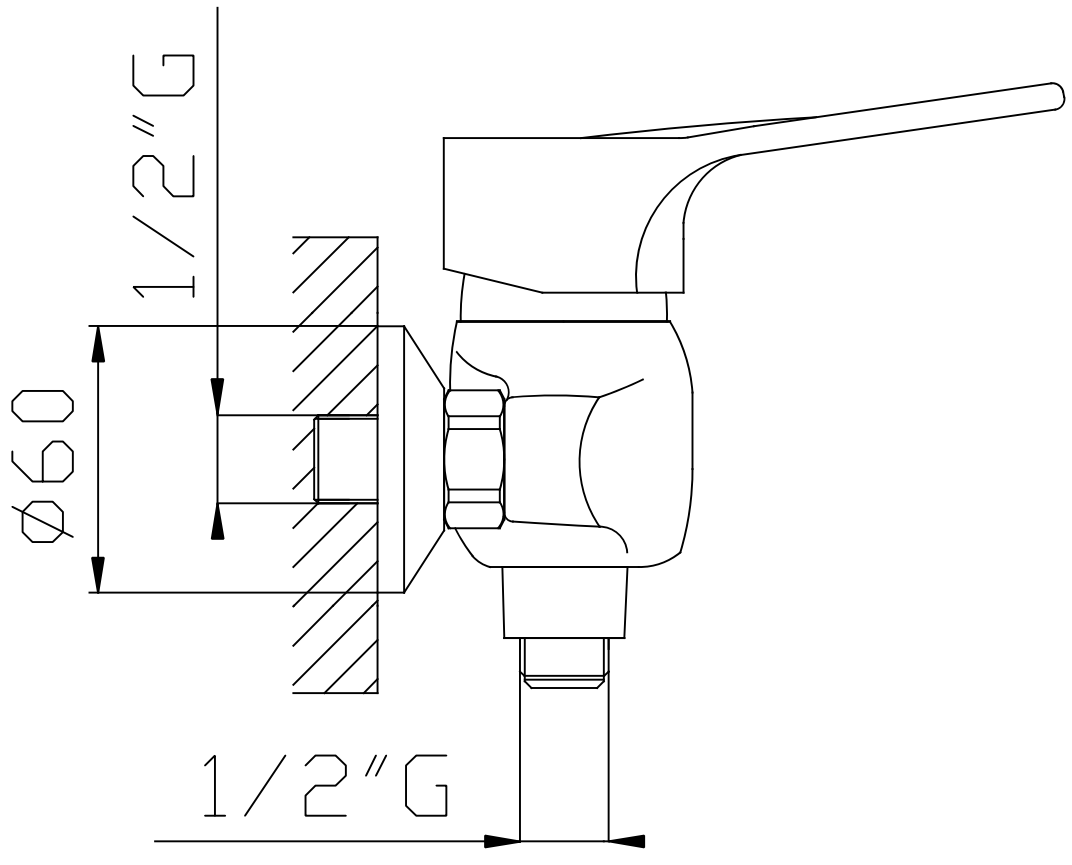


130MIN/170MAX

150



$1/2'' G$

$\varnothing 60$

$1/2'' G$

