

# Frieze Two Lined

Product Fact Sheet



**ex.t**

[info@ex-t.com](mailto:info@ex-t.com) / [ex-t.com](http://ex-t.com)

# Frieze two lined



**Design By**  
MarcanteTesta

**Code**

*white*  
EXLAVFRIEZE2L  
EXLAVFRIEZE2LP

*light pink*  
EXLAVFRIEZE2L/2010  
EXLAVFRIEZE2LP/2010

*blue*  
EXLAVFRIEZE2L/3030  
EXLAVFRIEZE2LP/3030

*lilic*  
EXLAVFRIEZE1L/1515  
EXLAVFRIEZE1LP/1515

*white marble*  
EXLAVFRIEZE2L/WM  
EXLAVFRIEZE2LP/WM

**Category**  
Washbasins

**Module Dimensions**  
50 x 39 x h 26 cm

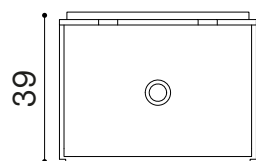
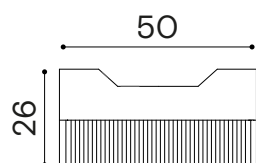
**Materials**  
LivingTec®, White Marble

**Colours**

- White - RAL 9016
- Light Pink NCS S 2010 - Y50R
- Lilic NCS S 1515 R60B
- Blue NCS S 3030 B30G

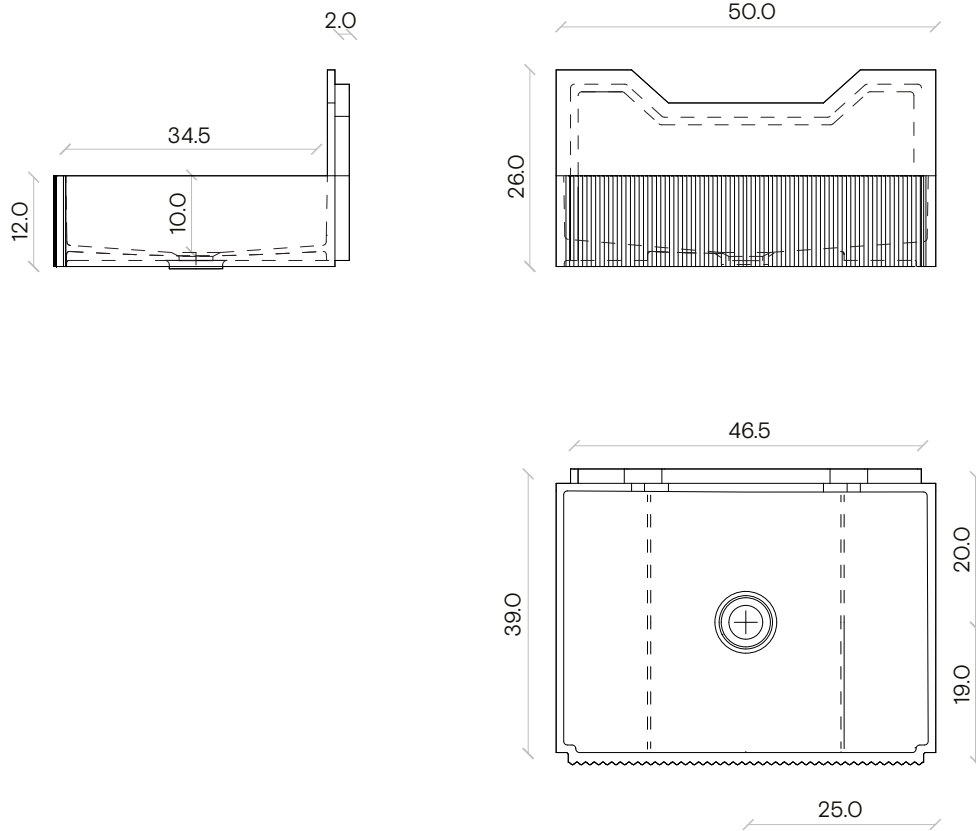
**Weight**  
Product - kg  
Packaging - kg

**Packaging Dimensions**  
-



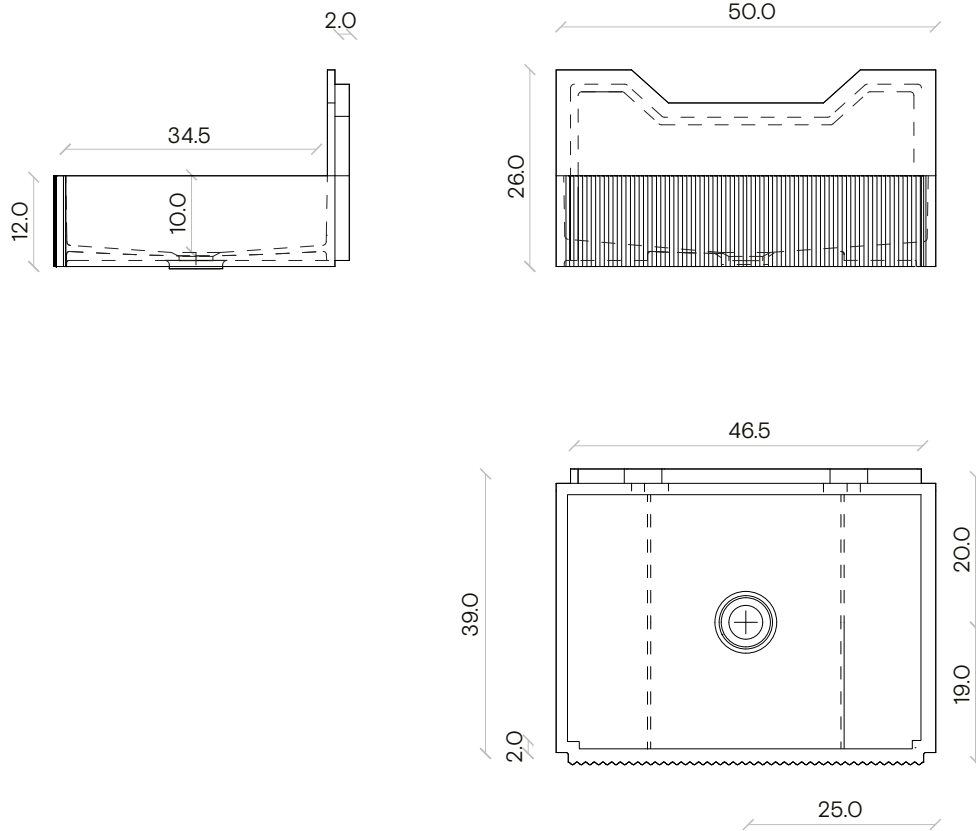
# Frieze two lined

Scala 1:10



# Frieze two lined marble

Scala 1:10



# Frieze two lined plus

for band

Scala 1:10

