

Walraven VibraTek® MR-L 8000/M16

Rubber Levelling Mount

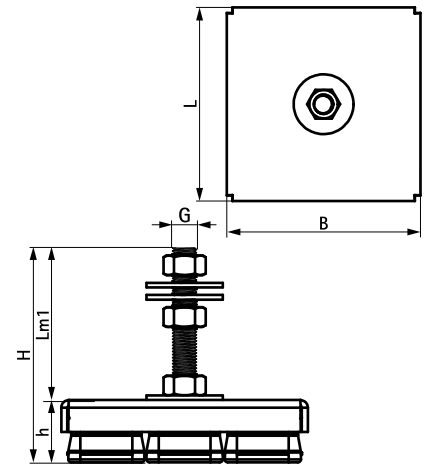
(L2 05 27)

rubber mount with M16 connection for equipment isolation and levelling



Свойства и преимущества

- recommended for machinery with working speeds above 2500 RPM, providing a degree of vibration insulation from 75% to 80%
- simple to install and does not need to be fixed to the supporting structure
- rubber isolator with DIN 934 nuts and DIN 9012 washers included in delivery for mounting and levelling equipment
- metal and rubber parts can be separated for recycling



Арт. №	G	L	B	H	h	Lm1	Min. Load	Max. Load	Min. Optimal Load	Max. Optimal Load	Max. Deflection	Уп.мин
			(мм)	(мм)	(мм)	(мм)	(Н)	(Н)	(Н)	(Н)	(мм)	
2800108000	M16	162 mm	162	141	41	100	500	8 000	1 000	7 500	7,5	6
See Product Data Sheet for further technical information.												