

ASSEMBLY INSTRUCTION

BRX1702 - 1739



FITTING	MOLD	SPEC	AMOUNT	FITTING	MOLD	SPEC	AMOUNT
A		$\phi 6*20$	49PCS	G		$\phi 6*20$	4PCS
B		$\phi 8*30$	32PCS	H		$\phi 4*12$	16PCS
C		L=250MM	2PCS	K		$\phi 4*20$	10PCS
D			16PCS	L			
E		greater curvature	6PCS	M			
F			2PCS	N			

FIG. 1

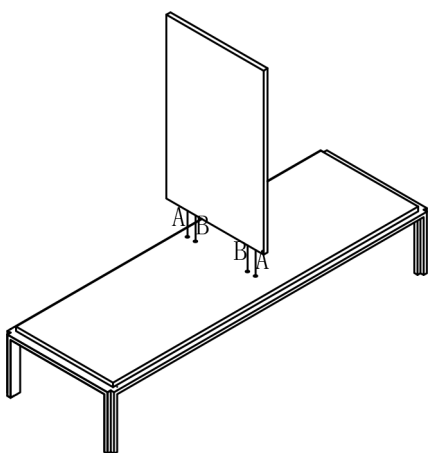


FIG. 2

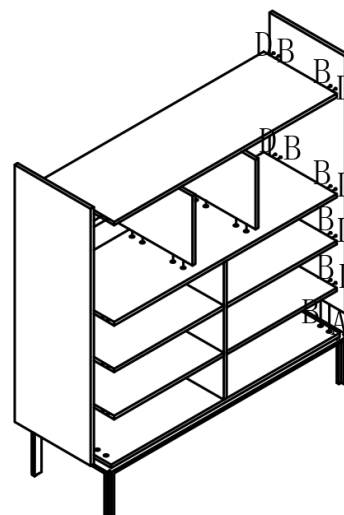


FIG. 3

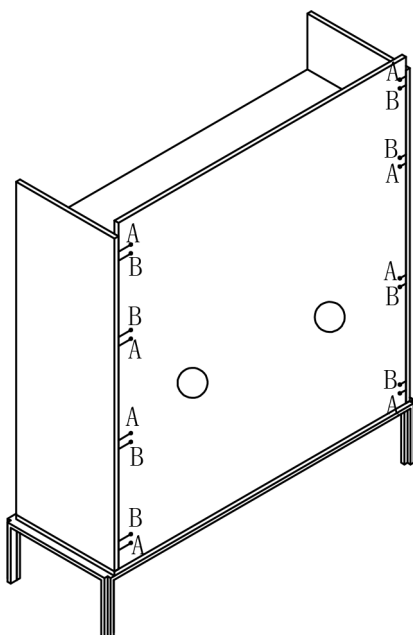


FIG. 4

