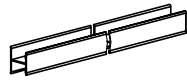




ALFA | H profile

VS219-143



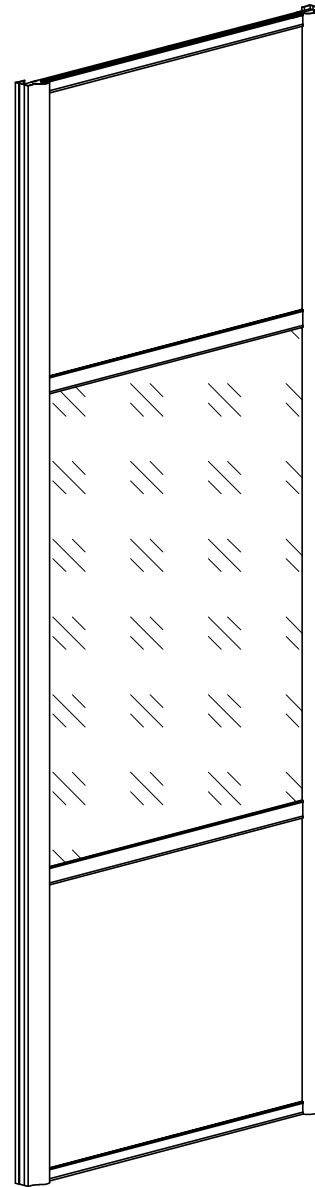
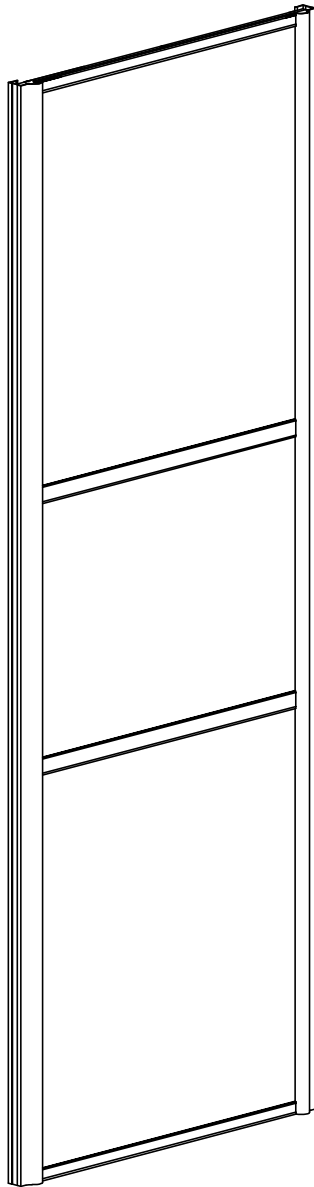
x1

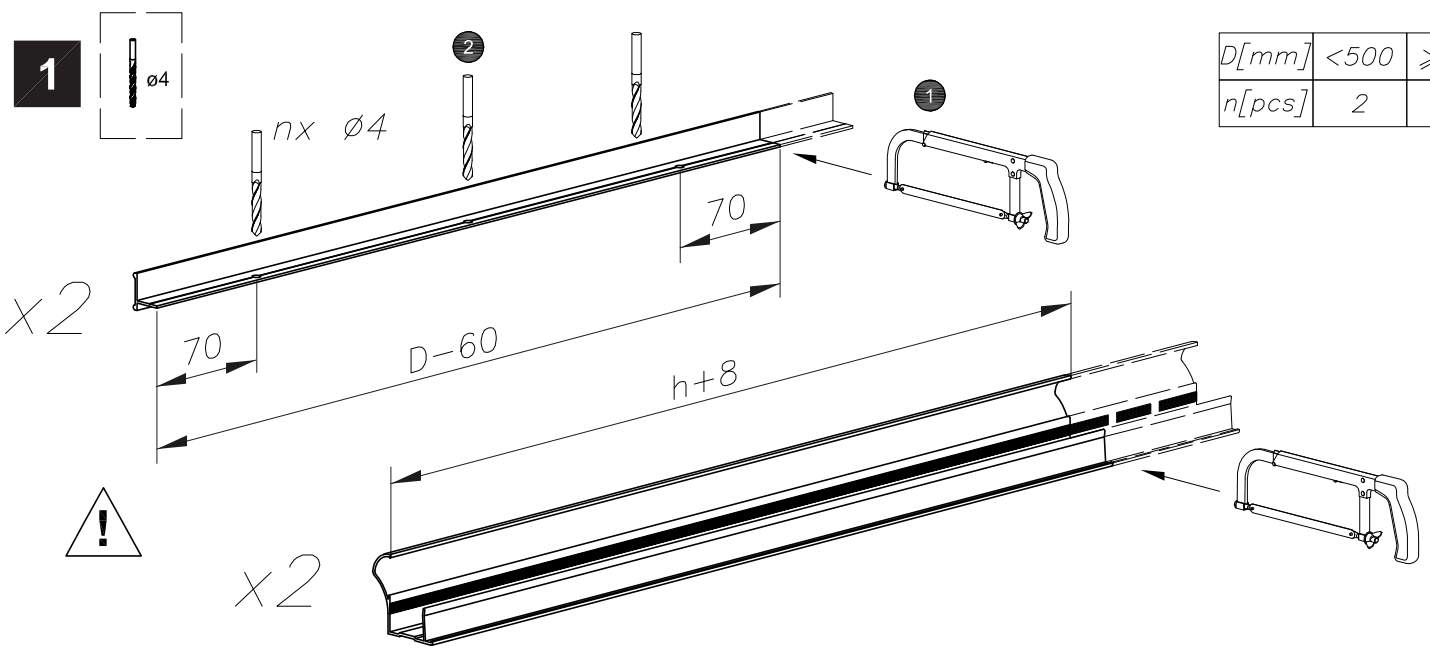
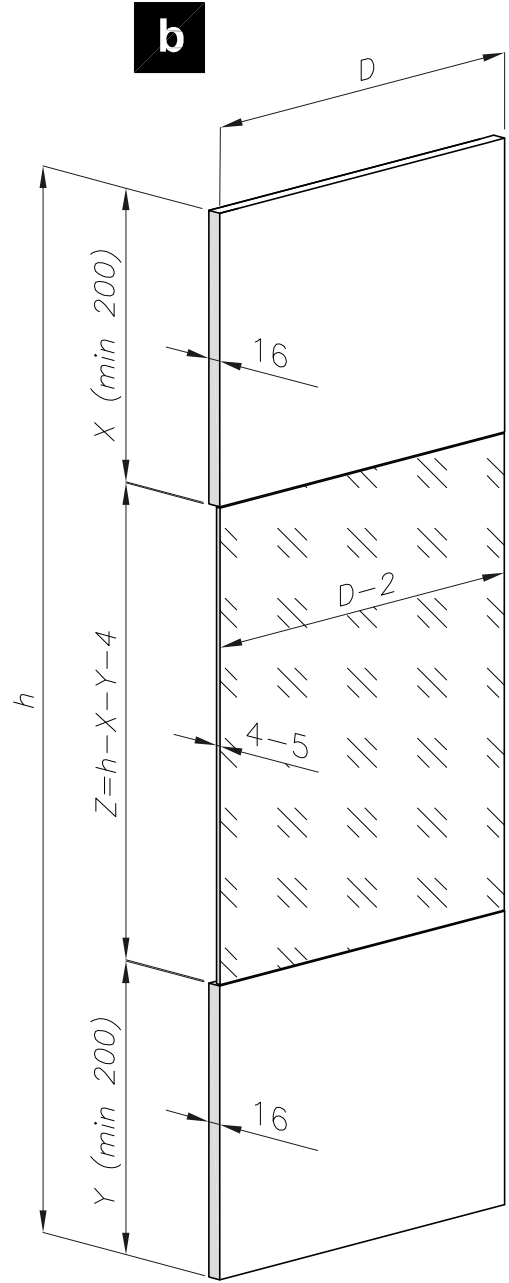
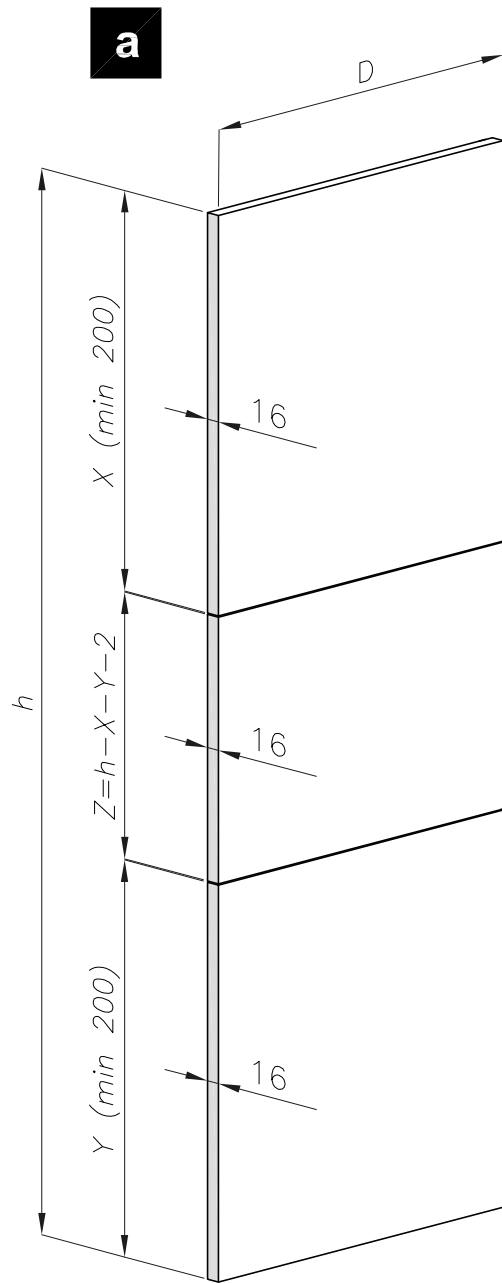


x20



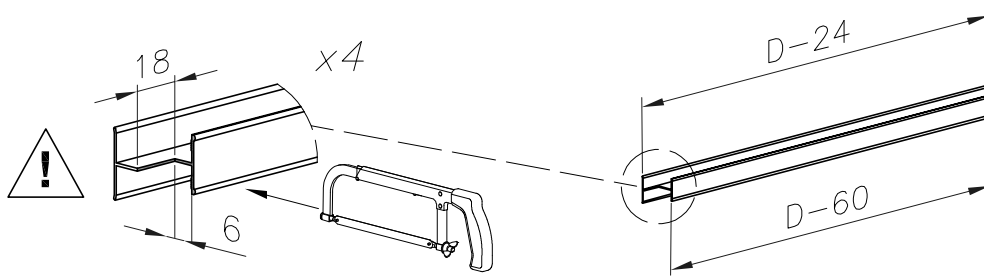
x2



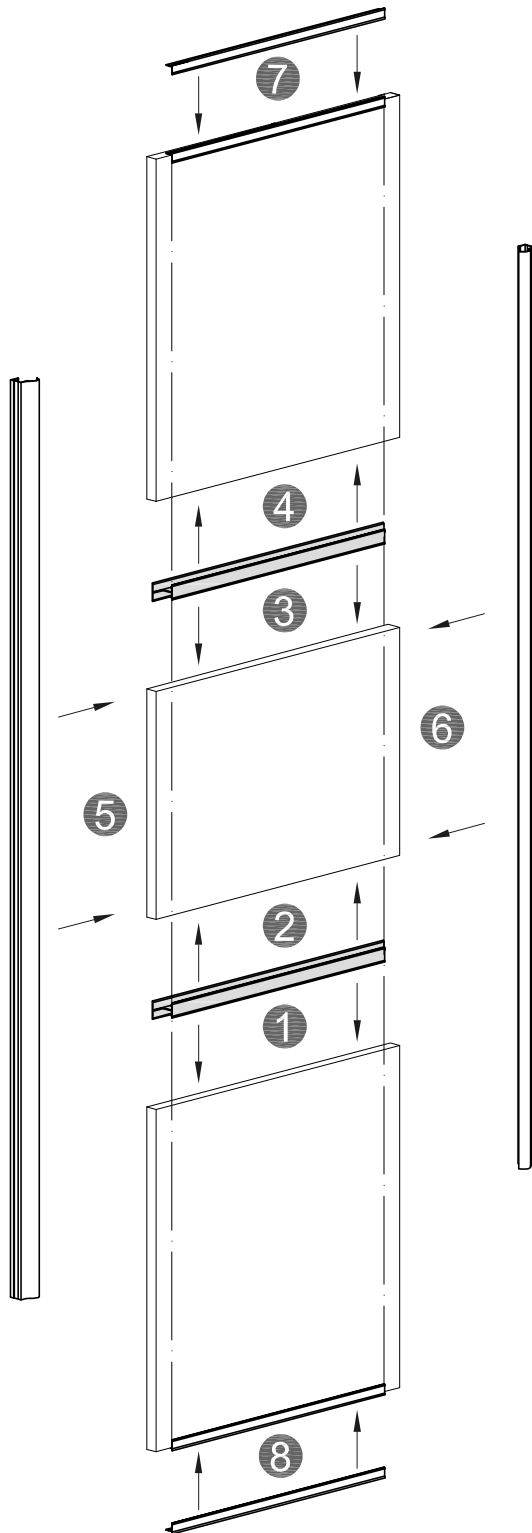
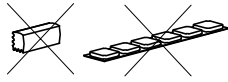


$D[\text{mm}]$	< 500	≥ 500
$n[\text{pcs}]$	2	3

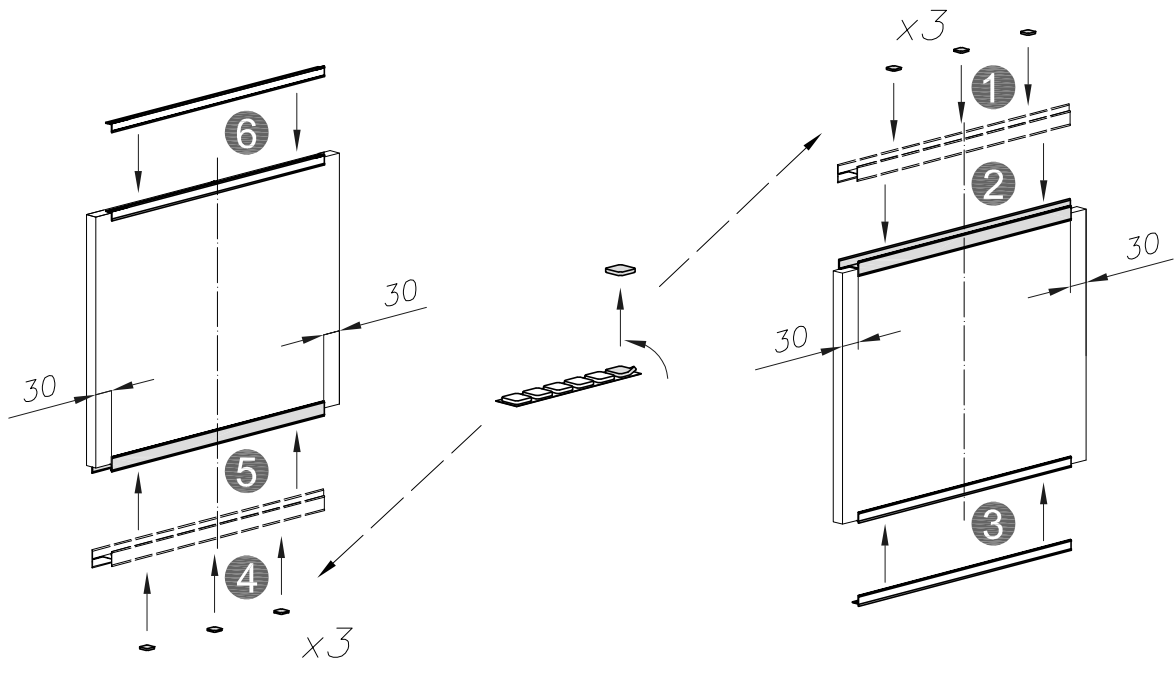




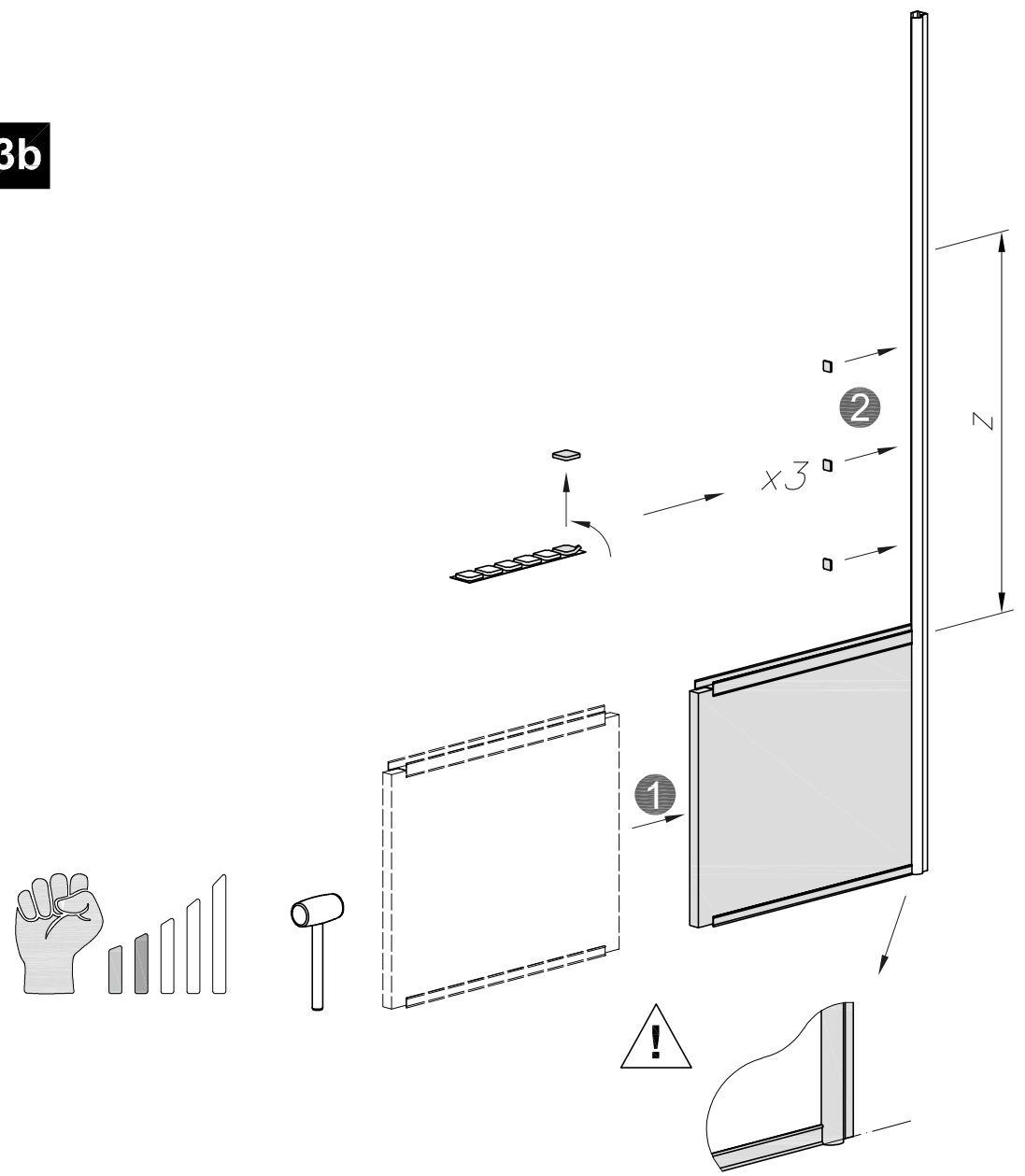
2a



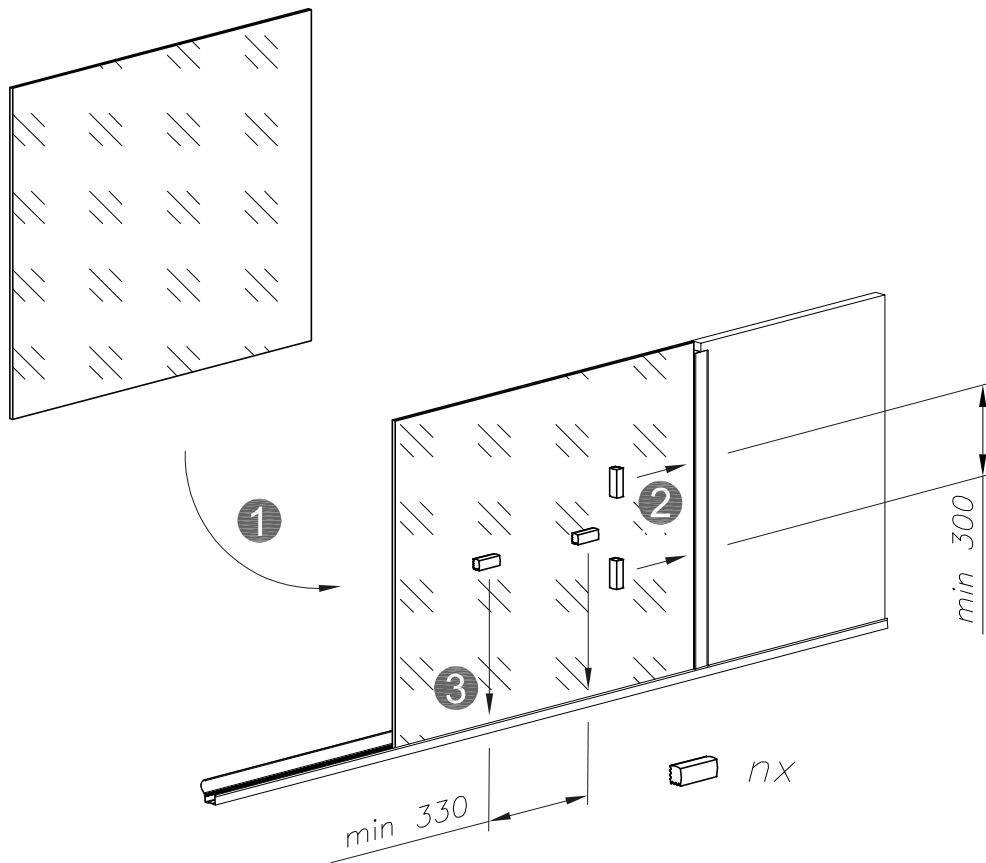
2b



3b

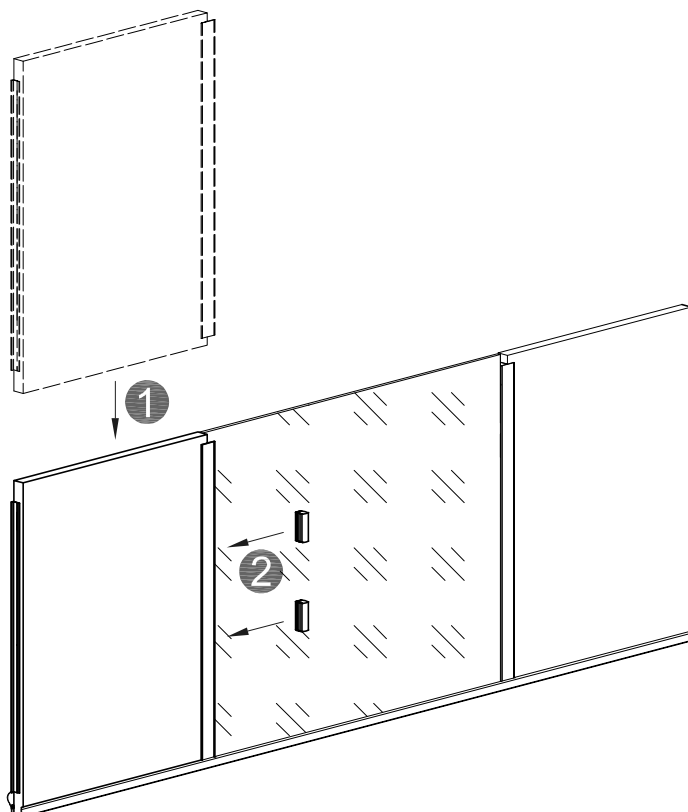
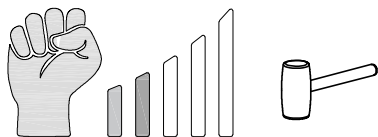


4b



D,Z[mm]	<300	<600	<900	<1200	<1500	<2100	<2400
n[szt]	2	3	4	5	6	7	8

5b



6b

