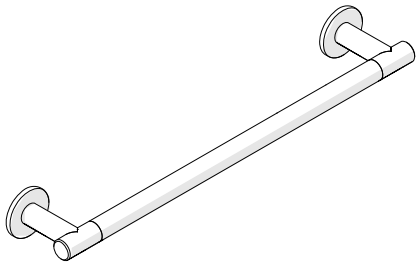
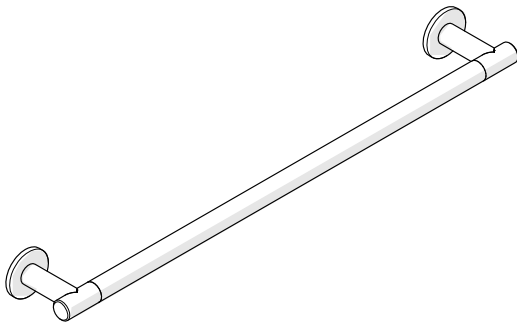


Style No. DBTB18
Single 18" Towel Bar



Style No. DBTB24
Single 24" Towel Bar



IMPORTANT:

- To ensure this product is installed properly, you must read and follow these guidelines.
- The owner/user of this product must keep this information for future reference.
- This product must be installed by a professional licensed contractor.
- Inspect this product to ensure you have all the parts required for proper installation.

ACCESSORY INSTALLATION:

- See Figure 1 for Steps 1-4.
1. Dry fit the accessory to the wall and mark ideal location, making sure it is level.
 2. Unthread SET SCREW to remove the MOUNTING PLATE, using a 2.5mm Hex Key.
 3. Attach the MOUNTING PLATE to the FINISHED WALL using the ANCHORS and SCREWS at the location marked in Step 1.
 4. Slide TOWEL BAR onto MOUNTING PLATE and secure with SET SCREW, using a 2.5mm Hex Key. Make sure to use ESCUTCHEON.

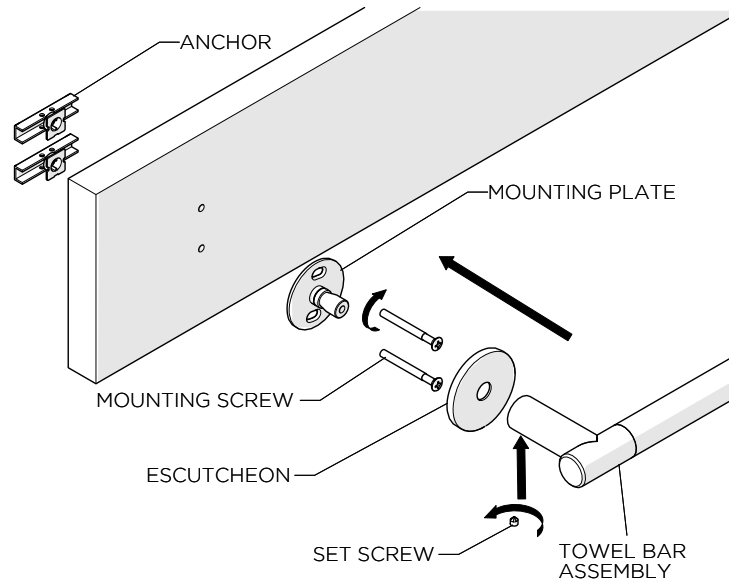


FIGURE - 01

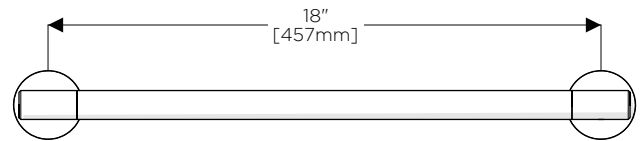


FIGURE - 02

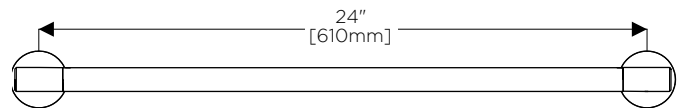


FIGURE - 03

- If further assistance is required, please contact Product Support at 1-800-927-2120 Monday through Friday, 8am - 6pm EST.
- Refer to the separate Service Parts Documents for available replacement parts.