



Primary™
Round-Front Toilet Seat
K-4686-A

Features

- Open-front seat without lid.
- Plastic hinges.
- Includes an antimicrobial agent that protects the toilet seat from odor- and stain-causing bacteria, mold and mildew. Antimicrobial agent does not protect the user from disease-causing bacteria.

Material

- Plastic.



Codes/Standards

None Applicable




KOHLER® One-Year Limited Warranty

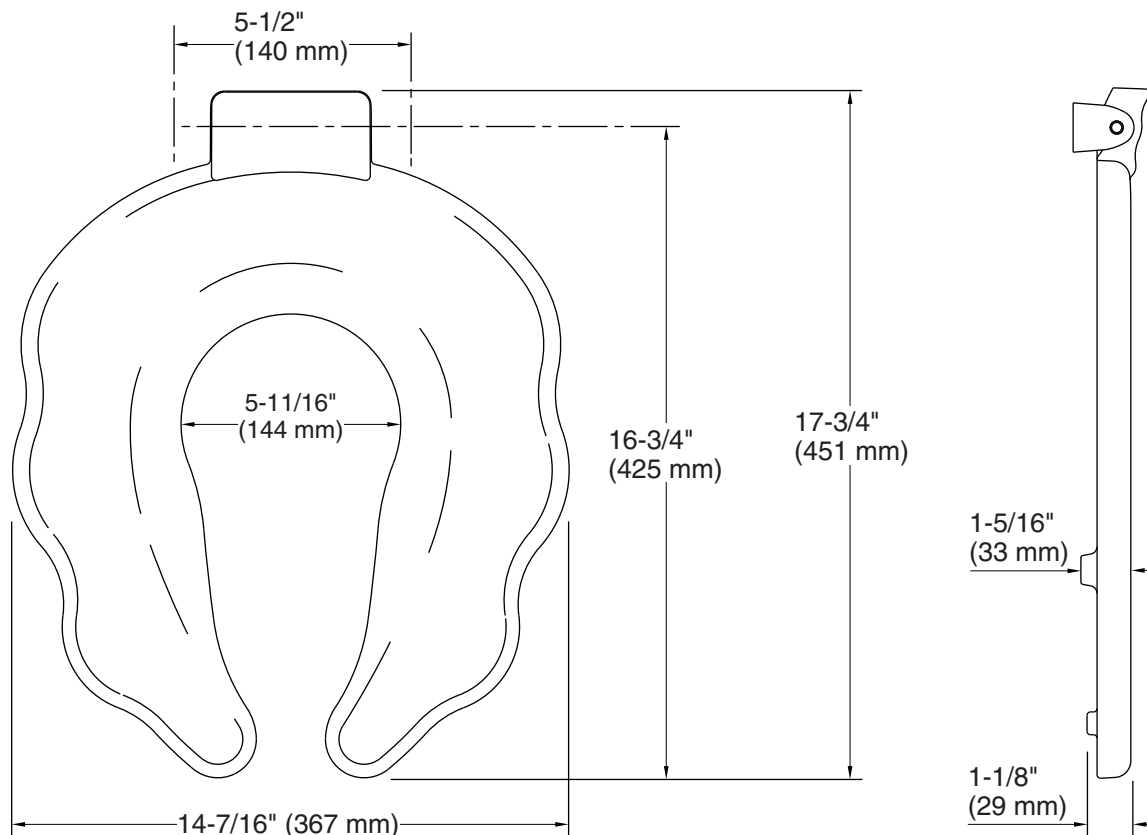
See website for detailed warranty information.

Available Colors/Finishes

Color tiles intended for reference only.

Color Code Description

	0	White
	Y	Yellow
	B	Blue



Technical Information

All product dimensions are nominal.

Seat shape type: Round-front

Seat front type: Open-front

Seat-mounting holes: 5-1/2" (140 mm)

Notes

Install this product according to the installation guide.