

MF20 Butterfly Valve Actuator



Product Description

The MF20 is a robust, reliable rotary actuator for the control of the VF208W 25-100 butterfly valves. These actuators mount to the VF208W series valves without linkage kits and connect using electrical terminal blocks to simplify and reduce installation time.

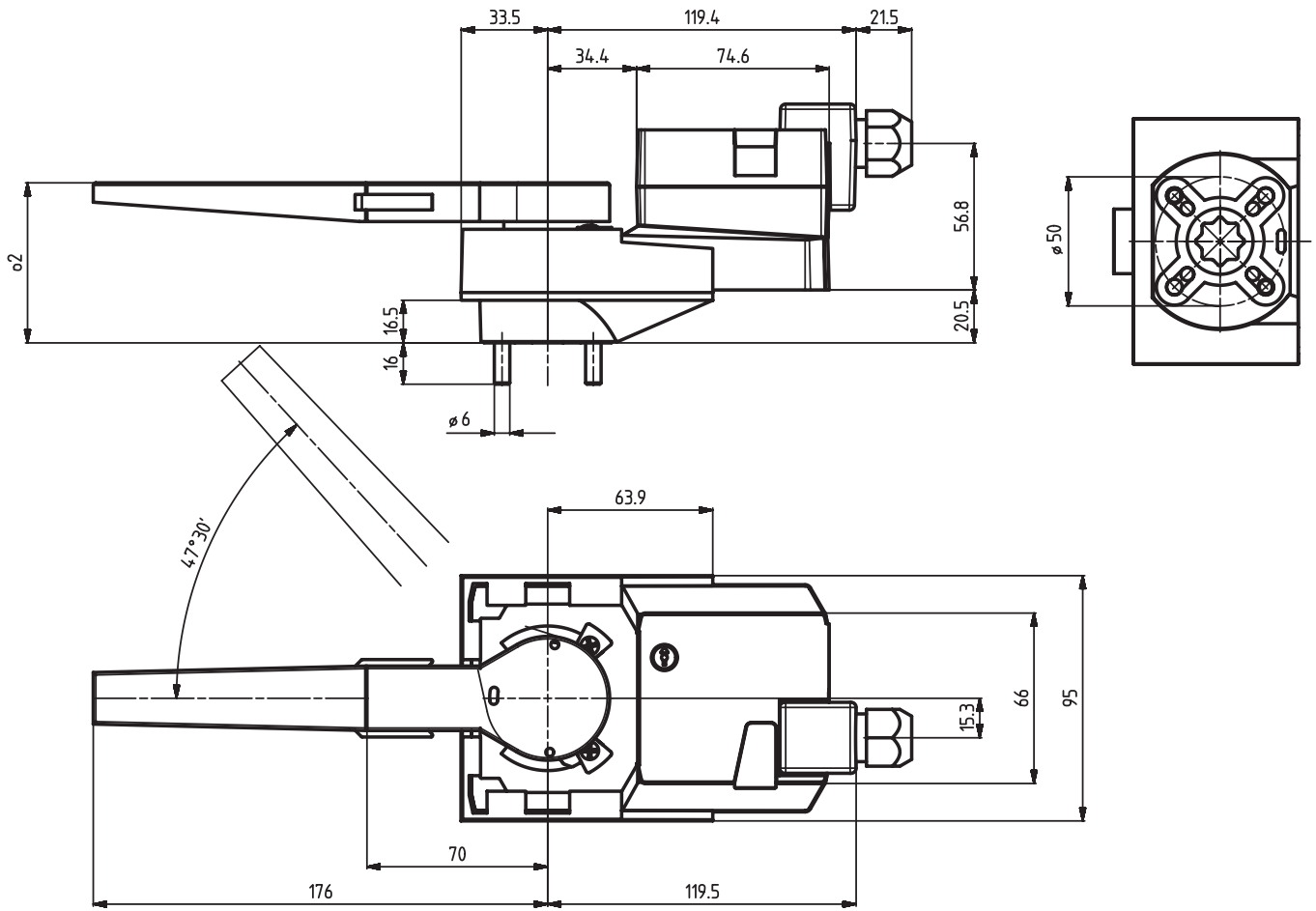
Features

- Models for Floating/Proportional and On/Off control
- Latching Manual override
- Direct Hand Lever / position indicator
- No Linkage kits required

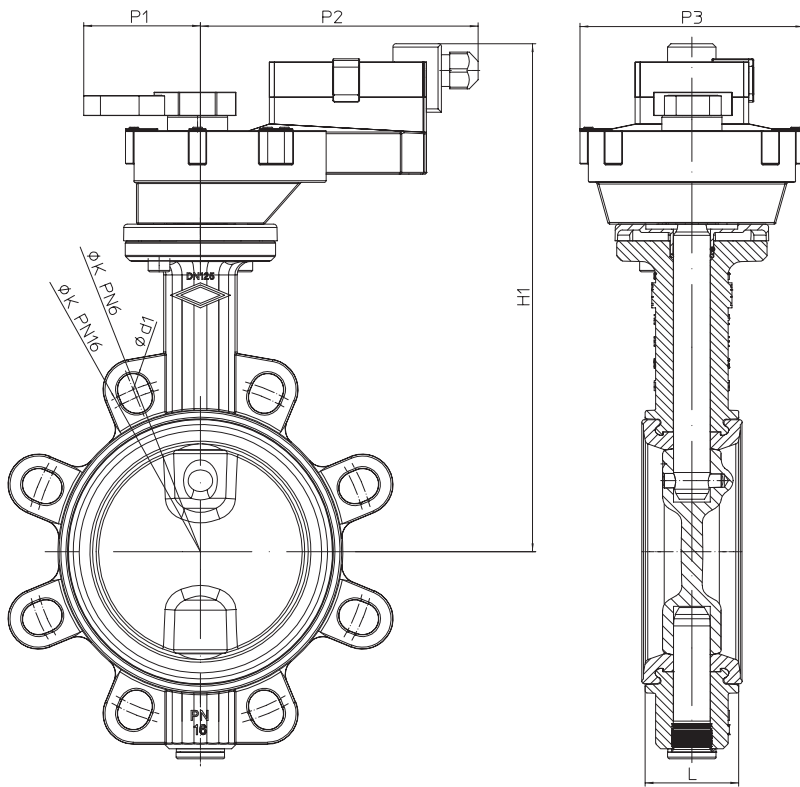
Specifications

Product	MF20-24F	MF20-24M	MF20-230F
Description	3-Point Floating, 24V	2-10 V Modulating	3-Point Floating, 230V
Torque (nominal)	Min. 20 Nm at nominal voltage		
Motor Voltage	24Vac±20% 50/60 Hz or 24 Vdc±20%		230 VA -60%/+15%, 50/60 Hz
Power Consumption: Operation	2.5 W	2.5 W	3 W
Power Consumption: At Rest	0.2 W	0.4 W	0.4 W
Power Consumption: For wire sizing	5.5 Vac	5 Vac	7 Vac
Electrical Connection	Terminals 4 mm ² (Cable ø 6... 8 mm, three-core)	Terminals 4 mm ² (Cable ø 6... 8 mm, four-core)	Terminals 4 mm ² (Cable ø 6... 8 mm, three-core)
Control: Signal	Open/Close or 3-Point,	DC 0 ... 10 V, typical input impedance 100 kΩ	Open/Close or 3-Point,
Control: Operating Range	–	DC 2 ... 10 V	–
Position Feedback (Measuring voltage U)	–	DC 2 ... 10 V, max. 1 mA	–
Position Accuracy	–	±5%	–
Sound power level	Max. 45 dB (A)		
Operating Time	90 s/90°		
EMC	CE according to 89/336/EEC		CE according to 89/336/EEC Low voltage directive CE according to 73/23/EWG
Rated impulse voltage	0.8 kV (to EN 60730-1)		4 kV (to EN 60730-1)
Enclosure	IP 54		
Protection Class	III Extra Low Voltage		II Total Insulated
Max Ambient Temp.	0 to 50°C		
Maximum Non-Operating Temperature	-40 to 80°C		
Ambient Humidity Range	95% rH Non-Condensing (to EN 60730-1)		
Mode of Operation	Type 1 (to EN 60730-1)		
Control Pollution Degree	3 (to EN 60730-1)		

Dimensions (mm)

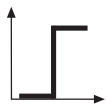
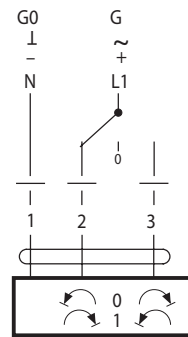
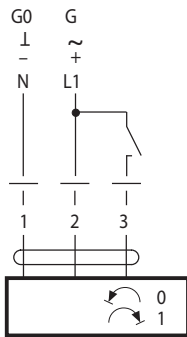
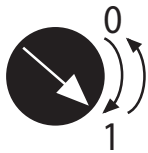


Assembly Dimensions (mm)

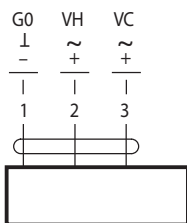


DN	25	32	40	50	65	80	100
H1	212	212	218	224	234	242	263
P1	70						
P2	142						
P3	95						

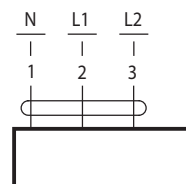
Wiring Diagrams



AC 24 V / DC 24 V

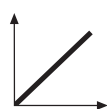


AC 100 ... 240 V

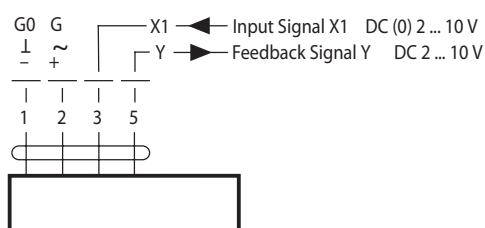


MF20-24F

MF20-230F



AC 24 V / DC 24 V



MF20-24M