



# IB RUBINETTI

Collection

**BOLD**

Article

**B1398**

Description

**Five holes wall mounted bath filler with shower kit**

Box Dimensions

**470 x 290 x 160 mm**

Weight

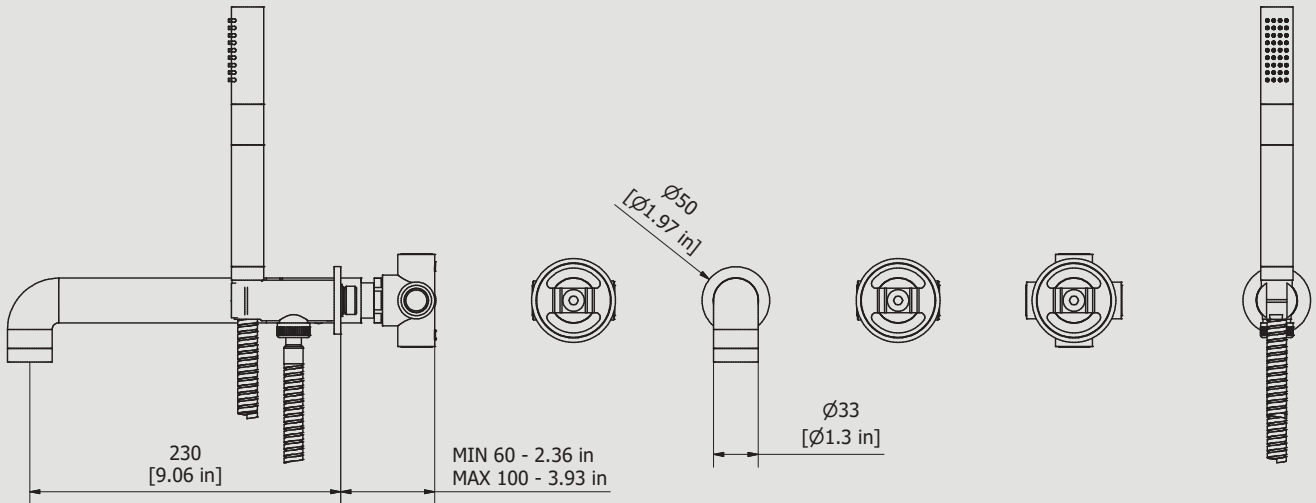
**4.9 kg**

Finishes

- **CC**  
CHROME
- **CF**  
BLACK CHROME
- **OO**  
GOLD
- **BB**  
ANTIQUÉ BRONZE
- **SS**  
BRUSHED NICKEL
- **CS**  
BRUSHED BLACK CHROME
- **BO**  
MATT WHITE
- **NP**  
MATT BLACK
- **IS**  
BRUSHED PALE GOLD
- **OS**  
BRUSHED GOLD
- **II**  
PALE GOLD
- **RR**  
ANTIQUÉ COPPER
- **RS**  
ROSE GOLD
- **ON**  
NATURAL BRASS
- **SR**  
BRUSHED ROSE GOLD
- **PL**  
PLATINUM



Dimensions



Cartridge

**G1/2" ceramic cartridge**

Threaded fitting

**G1/2" female**

Aerator

**M24x1**

Flow Rate (+/-10%)

**1 BAR  
12.3 l/min**

**2 BAR  
17.5 l/min**

**3 BAR  
21.8 l/min**

Production

**Main body is a single casted pieces**

Material

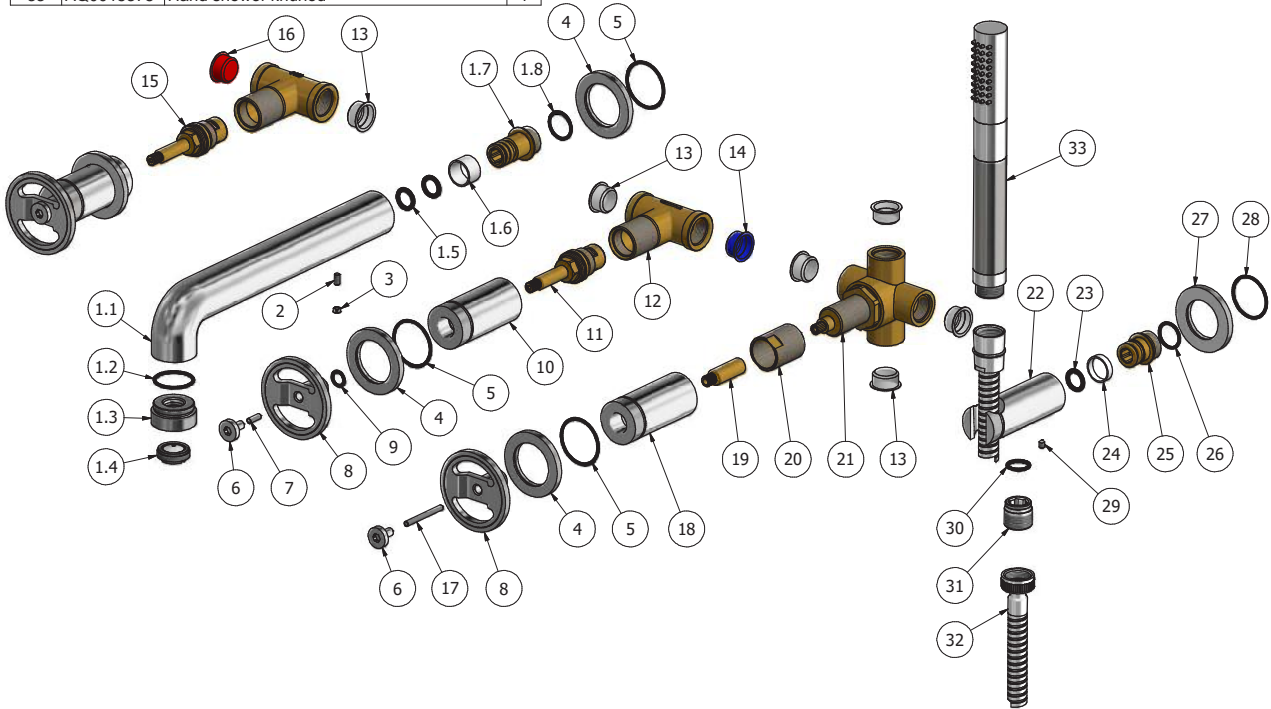
**BRASS  
According to CuZn35Pb2Al-B (CB752S)  
Max Lead content: 1.36%**





# IB RUBINETTI

Parts list			
ELEM	CODE	DESCRIPTION	QT
1	CPUL320C C-2	Preassembled spout	1
1.1	CC0002342	Spout Ø33 L246.5	1
1.2	AQ0010564	OR 26.7x1.78 NBR 70 SH	1
1.3	AC0015160	Support for aerator Ø33 M30x1.5 H16 knurled	1
1.4	AQ0015239	Perlator coin slot M24x1 (45.2100.000)	1
1.5	AQ0001360	OR 11.91x2.62 NBR 70 SH	2
1.6	AQ0010143	Antifriction ring Ø20 H12.5	1
1.7	AS0012306	Spout-out insert G1/2" H40	1
1.8	AQ0004640	OR 18.77x1.78 NBR 70 SH	1
2	AQ0006921	Grubscrew M4x8 flat point	1
3	AQ0012203	Plug	1
4	AC0015183	Ring Ø50 Ø33.5 H5 knurled	4
5	AQ0008026	OR 33.05x1.78 NBR 70 SH	4
6	AC0015171	Screw Ø16 M4 H16	3
7	AQ0014996	Grubscrew M4x12 flat point	2
8	CC0002277	Wheel Ø62 H30.5 8x20	3
9	AQ0004180	OR 9.25x1.78 NBR 70 SH	2
10	AC0015170	Bell Ø33 M301 26x19 H67	2
11	AQ0010528	Ceramic headwork 90° DX H38.5 8x20	1
12	CC0002005	Built-in stopcocks G1/2"	2
13	AQ0013461	Protecting cap thread Ø19	6
14	AQ0014538	Blu thread's protecting cap Ø19	1
15	AQ0010529	Ceramic headwork 90° SX H38.5 8x20	1
16	AQ0014537	Red thread's protecting cap Ø19	1
17	AQ0015344	Grubscrew M4x40 flat point	1
18	AC0012727	Bell Ø33 26x19 H70	1
19	AS0010014	Extension for diverter's rod	1
20	AS0009995	Bush for headwork W26 x 19 W22 x 19	1
21	AQ0010279	Diverter 2 in - 2 out complete short	1
22	AC0012661	Hand shower support Ø29.8 H81 knurled	1
23	AQ0001360	OR 11.91x2.62 NBR 70 SH	1
24	AQ0010435	Teflon ring Ø19,9 x 5	1
25	AS0011282	Connection piece for spout-out G1/2" L27.7	1
26	AQ0004630	OR 17.16x1.78 NBR 70 SH	1
27	AC0012736	Ring Ø50 Ø30.5 H5 knurled	1
28	AQ0008025	OR 29.87x1.78 NBR 70 SH	1
29	AQ0010444	Grubscrew M4x6 cone point	1
30	AQ0001390	OR 14x2 NBR 70 SH	1
31	AC0011892	Shower connection piece G1/2" M19x1 H19	1
32	AQ0003120	Inox hose G1/2" F G1/2" cone L150	1
33	AQ0015375	Hand shower knurled	1



**WARRANTY**

All IB Rubinetterie SpA products are warranted for 10 years from the date of purchase, for the following cases:

- Defects of casting, porosity and chrome plating.
- Operating defects caused by incorrect fabrication.

The warranty provides for repair or replacement of products with fabrication defects recognized by our technical office. There is no other type of compensation anche the merchandise must be returned FOB our warehouse. The warranty only cover surface defects (scatches, dings, etc.) on fitting that have not been installed and used, returned in its original packaging with all components. O-ring, gasket seals and components subject to wear proportional to use are warranted for 2 years.

**The warranty is void in the following cases:**

Error installing and putting the product into service.

Deterioration of finished surfaces due to use of cleaning products containing acids or abrasive substances. Deterioration of surface with finishes other than chrome plating. Their durability is, in fact, dependent on the user's care and gentleness of use.

Deterioration of the fitting due incorrect installation.

Improper repairs and maintenance performed without the company's prior authorization.

The warranty from IB Rubinetterie SpA is not renewable.

**Cleaning**

We recommended cleaning the finish surfaces with water and soap, using a soft cloth.

Do not use detergents that contain hydrochloric acid or abrasive substances.

