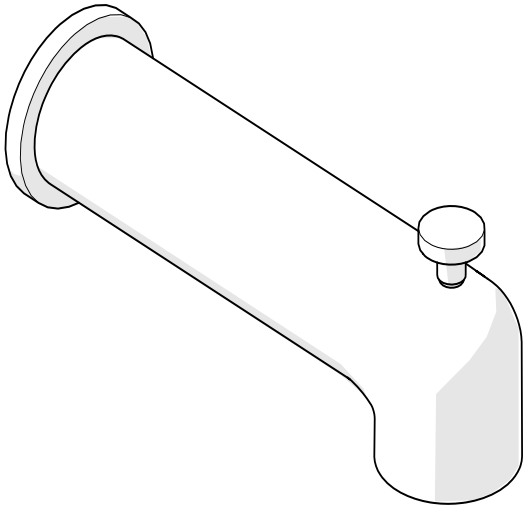


STYLE No. DBTS01[†]



SPECIFICATIONS:

Fittings Hole Diameter: Ø1-3/8" [35mm]
Inlet Connection: 1/2" Female NPT[†]
Integrated Diverter: Yes
Spout Reach: 6" [152mm]
Water Pressure: 20psi [1.5 bar] MIN - 85psi [6.0 bar] MAX
Water Pressure Recommended: 45psi [3.0 bar]

[†] UK Style No. **DB01TS** is supplied with 1 **BSPP** adapter, assembly required.

IMPORTANT:

- To ensure this product is installed properly, you must read and follow these guidelines.
- The owner/user of this product must keep this information for future reference.
- This product must be installed by a professional licensed contractor and must be onsite prior to rough-in to allow the installer to visualize the installation.
- Be sure your installation conforms to federal state, and local codes. Anti-scald protection is the responsibility of the installer. In the State of Massachusetts, all installations must comply with the rules and regulations set forth within 248 CMR.
- Check tub measurements to assure the spout projects far enough into the tub. The spout reach cannot be adjusted.
- Use only a strap wrench or protected/smooth-jaw wrench on any finished surface.

ROUGH-IN:

1. Determine the ideal location for the TUB SPOUT, and rough in a well supported 1/2" NPT NIPPLE[†] (not supplied). Ensure the front face of the NIPPLE, or BSPP Adapter[†], is 5-1/4" [133mm] from the finished wall as shown in Figure - 01.

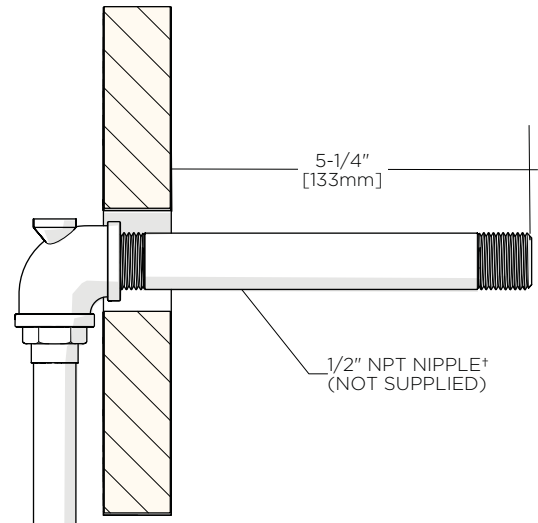


FIGURE - 01

2. Place the ESCUTCHEON on the SPOUT then thread the SPOUT onto the 1/2" NPT NIPPLE and securely tighten. Make sure to include the O-RING provided.

NOTE: An O-RING for the ESCUTCHEON is provided. If desired, a bead of caulk or a clear silicone may be applied where the ESCUTCHEON contacts the finished wall. The use of certain plumber's putty may stain stone or tile surfaces.

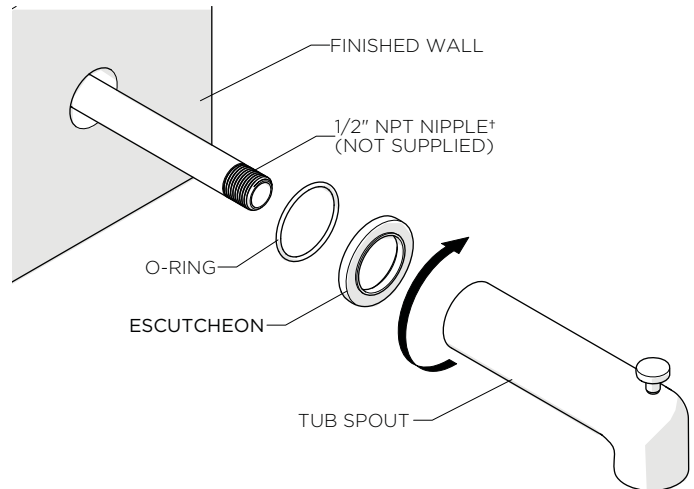


FIGURE - 02

- If further assistance is required, please contact Product Support at 1-800-927-2120 Monday through Friday, 8am - 6pm EST.
- The BSPP adapter can be ordered separately:
 - Universal 1/2" NPT Male x 1/2" BSPP Female Adapter **STYLE No. UNUK02**

These guidelines have been prepared for the professional contractor to aid in the installation of: **DECIBEL WALL MOUNTED TUB SPOUT (STYLE No. DBTS01 & DB01TS).** All dimensions are based on original specification and are subject to change and variation. Please consult your Design Associate for current specifications.

WATERWORKS
STUDIO