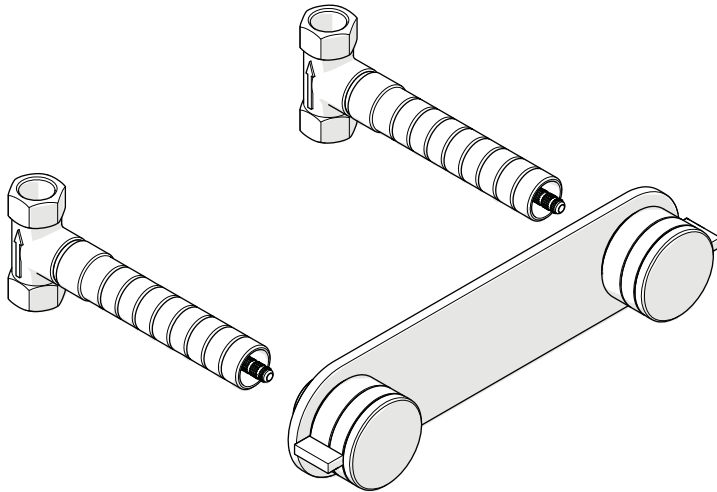


STYLE No. DBVC20, DB20VC†

**DBVC20 INCLUDES:**

- Decibel Dual Volume Control Valve Trim with Metal Knob Handles
 - **STYLE No. DBVC2C**
- Universal 1/2" Counter-Clockwise Open Volume Control Valve
 - **STYLE No. GUV18**
- Universal 1/2" Clockwise Open Volume Control Valve
 - **STYLE No. GUV19**

DB20VC† INCLUDES:

- Decibel Dual Volume Control Valve Trim with Metal Knob Handles
 - **STYLE No. DBVC2C**
- Universal 1/2" Counter-Clockwise Open Volume Control Valve
 - **STYLE No. GU18VC†**
- Universal 1/2" Clockwise Open Volume Control Valve
 - **STYLE No. GU19VC†**

SPECIFICATIONS:

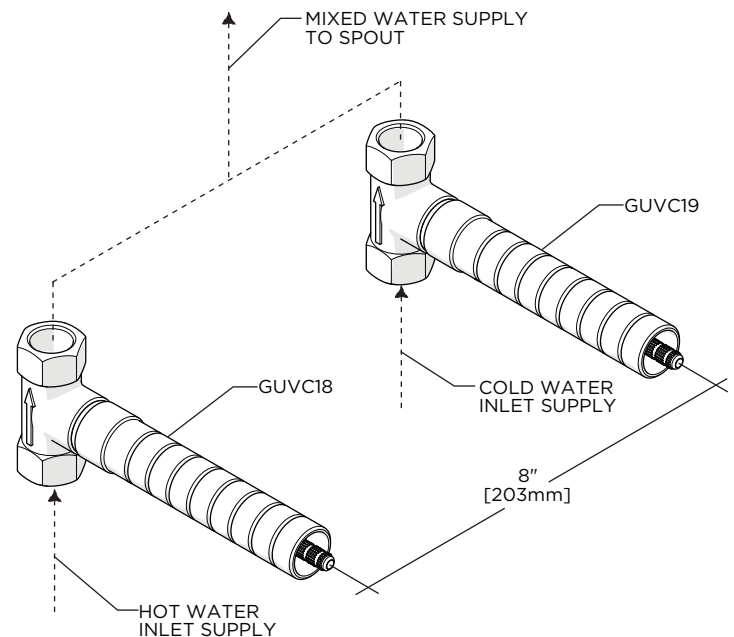
Control Valve Rough-in Depth Minimum: 2-3/8" [67mm]
 Control Valve Rough-in Depth Maximum: 6-1/8" [162mm]
 Fittings Hole Diameter: Ø1-3/8" [35mm]
 Handle Spread: 8" [203mm] (NOT ADJUSTABLE)
 Inlet/Outlet Connection: 1/2" Female NPT†
 Unrestricted Maximum Flow Rate per Valve:
 6gpm at 45psi [23 L/min at 3.0 bar]
 Water Pressure: 20psi [1.5 bar] MIN - 85psi [6.0 bar] MAX
 Water Pressure Recommended: 45psi [3.0 bar]

† UK Style No. **DB20VC** is supplied with 2 **BSPP ADAPTERS** for each **VOLUME CONTROL VALVE**. The **ADAPTERS** are packaged separately and assembly is required.

- Inlet/Outlet Connection: 1/2" Female BSPP

IMPORTANT:

- To ensure this product is installed properly, you must read and follow these guidelines.
- The owner/user of this product must keep this information for future reference.
- This product must be installed by a professional licensed contractor and must be on-site prior to rough-in. This allows the installer to visualize the installation and verify the 8" center spread.
- Be sure your installation conforms to all federal, state, and local codes. In the State of Massachusetts, all installations must comply with the rules and regulations set forth within 248 CMR.
- Refer to the specification and assembly drawings attached. Product is sold partially assembled but shown fully disassembled for illustrative and service purposes only.
- Inspect the product to ensure you have all the parts required for proper installation.
- Use only a strap wrench or protected/smooth-jaw wrench on any finished surface.
- The use of certain plumber's putty may stain stone or tile surfaces.

VALVE OPERATION FOR TUB SPOUT:**FIGURE - 01**

(DRAWING IS NOT A PLUMBING SCHEMATIC)

- This product also works as part of the Decibel Floor Mounted Tub Spout and Dual Volume Control Trim with Metal Knob Handles (STYLE No. **DBTS90**)

These guidelines have been prepared for the professional contractor to aid in the installation of:
DECIBEL LOW PROFILE THREE HOLE WALL MOUNTED LAVATORY FAUCET WITH METAL KNOB HANDLES AND VALVES (STYLE No. DBVC20, DB20VC)

All dimensions are based on original specification and are subject to change and variation.
 Please consult your Design Associate for current specifications.

WATERWORKS
 STUDIO

- VOLUME CONTROL VALVES control on, off and volume. They do NOT mix hot and cold water.
- A VOLUME CONTROL VALVE must be installed for each water supply line: hot and cold. This product includes 2 VALVES that must be installed at an 8" [203mm] on-center spread.
- Final connections from the VALVES to the SPOUT provided with DBTS90 are the responsibility of the installer.

VALVE OPERATION FOR SHOWER SYSTEM:

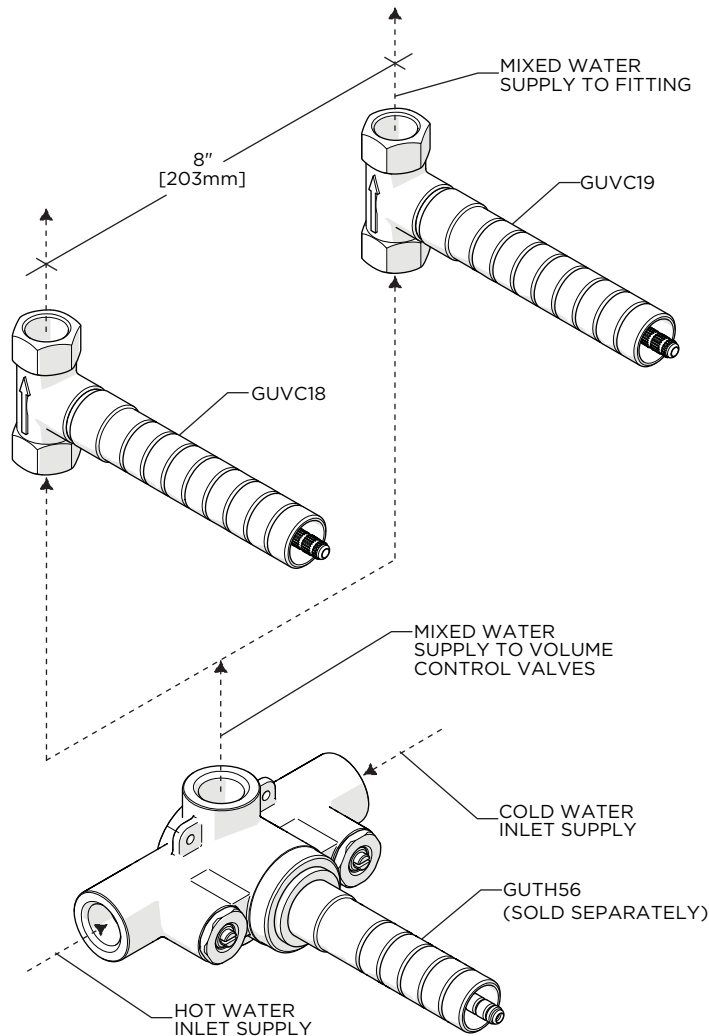


FIGURE - 02
(DRAWING IS NOT A PLUMBING SCHEMATIC)

- VOLUME CONTROL VALVES control on, off and volume. They do NOT mix hot and cold water.
- Mixed water flows from the Waterworks Universal 1/2" Thermostatic Valve (Style No. **GUTH56** - SOLD SEPARATELY) to the VOLUME CONTROL VALVES. Refer to the Installation Guidelines for the Thermostatic Valve which contains related installation information.

- A VOLUME CONTROL VALVE must be installed for each fitting that will have water flowing to it. This product includes 2 VALVES that must be installed at an 8" [203mm] on-center spread.
- All connections between all VALVES and fittings are the responsibility of the installer.

TRIM INSTALLATION:

1. Remove the TILE GUARDS and the O-RINGS from the VALVES as shown below.

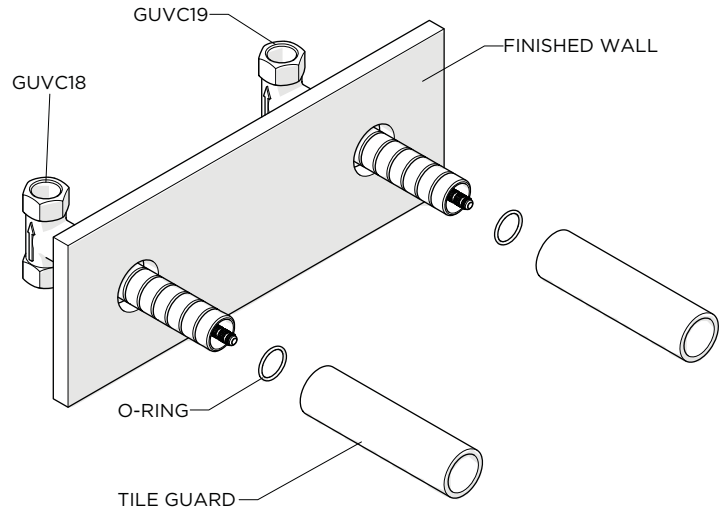


FIGURE - 03

- See Figure - 04 for Steps 2 - 4.

DIM	VALUE
A	1/4" [6mm]
B	1/4" [6mm]

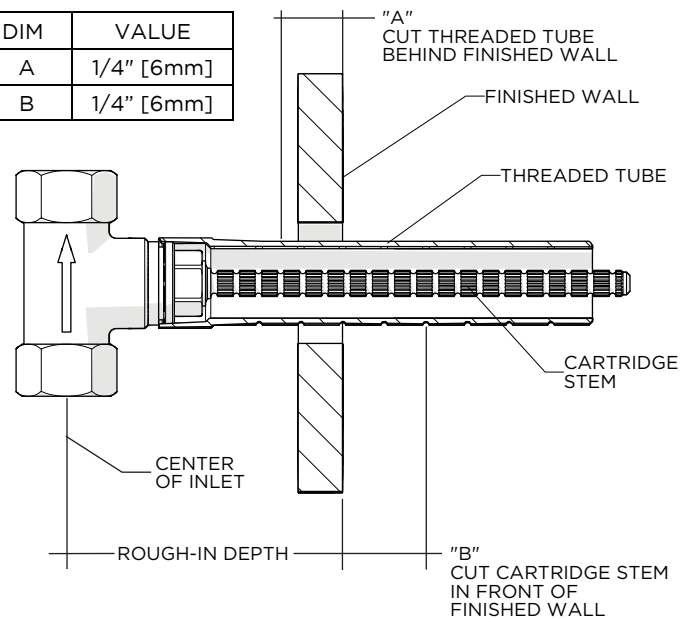


FIGURE - 04

2. Mark the THREADED TUBES as shown then remove and cut the TUBES.
3. Mark the CARTRIDGE STEMS as shown then remove the CARTRIDGES and cut the STEMS.

These guidelines have been prepared for the professional contractor to aid in the installation of: **DECIBEL LOW PROFILE THREE HOLE WALL MOUNTED LAVATORY FAUCET WITH METAL KNOB HANDLES AND VALVES (STYLE No. DBVC20, DB20VC)**. All dimensions are based on original specification and are subject to change and variation. Please consult your Design Associate for current specifications.

4. Thread and securely tighten the CARTRIDGES into the VALVES and then thread the TUBES back onto the CARTRIDGES.

➤ See Figure - 05 for Steps 5 - 6.

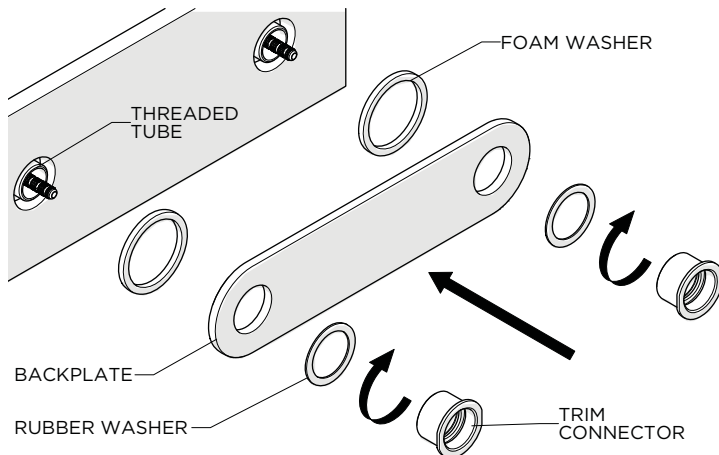


FIGURE - 05

5. Attach the FOAM WASHERS to the BACKPLATE and hold it against the finished wall.

NOTE: If desired, a bead of caulk or a clear silicone may be applied where the BACKPLATE contacts the finished wall. The use of certain plumber's putty may stain stone or tile surfaces.

6. Thread the TRIM CONNECTORS onto the THREADED TUBES making sure to include the RUBBER WASHERS and securely tighten.

➤ See Figure - 06 for Steps 7 - 10.

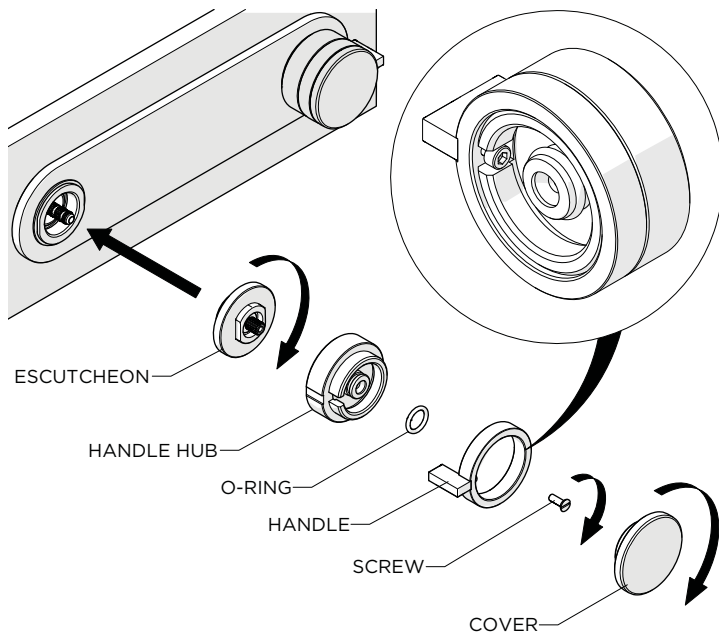


FIGURE - 06

7. Thread the ESCUTCHEON into the TRIM CONNECTOR. Make sure the HANDLE STEM aligns properly with the CARTRIDGE STEM and the ESCUTCHEON is fully threaded down. Securely tighten using a 20mm wrench.
8. Place the HANDLE HUB onto the HANDLE STEM in the desired orientation then thread the SCREW into the HUB and securely tighten.
9. Place the HANDLE over the HUB making sure it fits properly inside the notched portion then thread the COVER into the HUB and securely tighten.
10. Repeat Step 7 - 9 to install the second HANDLE.

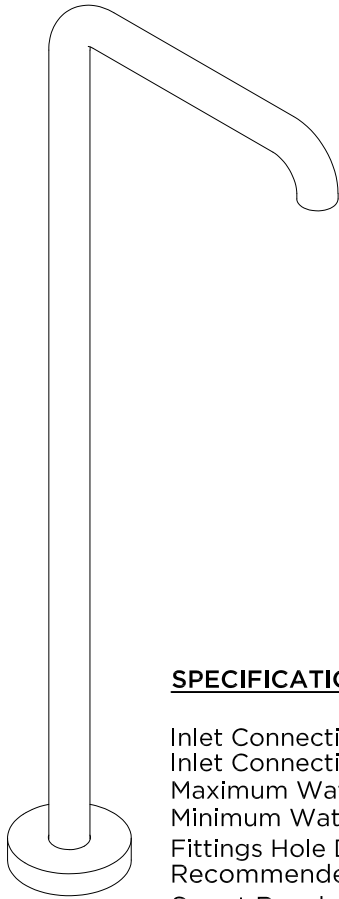
INSPECT AND FINISH THE INSTALLATION:

11. Turn on the water supply and operate both HANDLES to ensure they are functioning properly.
- If further assistance is required, please contact Product Support at 1-800-927-2120 Monday through Friday, 8am - 6pm EST.
- Refer to the separate Service Parts Documents for available replacement parts.

These guidelines have been prepared for the professional contractor to aid in the installation of:
DECIBEL LOW PROFILE THREE HOLE WALL MOUNTED LAVATORY FAUCET WITH METAL KNOB HANDLES AND VALVES (STYLE No. DBVC20, DB20VC)
 All dimensions are based on original specification and are subject to change and variation.
 Please consult your Design Associate for current specifications.

WATERWORKS
 STUDIO

STYLE No. FLTS90



SPECIFICATIONS:

Inlet Connection Size: $\frac{3}{4}$ "
Inlet Connection Type: Sweat
Maximum Water Pressure: 80psi
Minimum Water Pressure: 20psi
Fittings Hole Diameter: $\frac{1}{4}$ "
Recommended Water Pressure: 45psi
Spout Reach: $10\frac{1}{6}$ "

IMPORTANT:

- To ensure this product is installed properly, you must read and follow these guidelines.
- The owner/user of this product must keep this information for future reference.
- Be sure your installation conforms to all federal, state, and local codes. Anti-scald protection is the responsibility of the installer and according to applicable codes. In the State of Massachusetts, all installations must comply with the rules and regulations set forth within 248 CMR.
- This product must be installed by a professional licensed contractor.
- Refer to the specification and assembly drawings attached. Product is sold partially assembled but shown fully disassembled for illustrative and service purposes only.
- Product should be on-site prior to rough-in. This allows the installer to visualize the installation.

- Check tub measurements to assure the spout projects far enough into the tub. The spout cannot be cut to adjust height or spout reach.
- Inspect this product to ensure you have all parts required for proper installation.
- Use only a strap wrench or protected/smooth-jaw wrench on any finished surface.
- Install accessible hot and cold service stop valves to facilitate servicing.

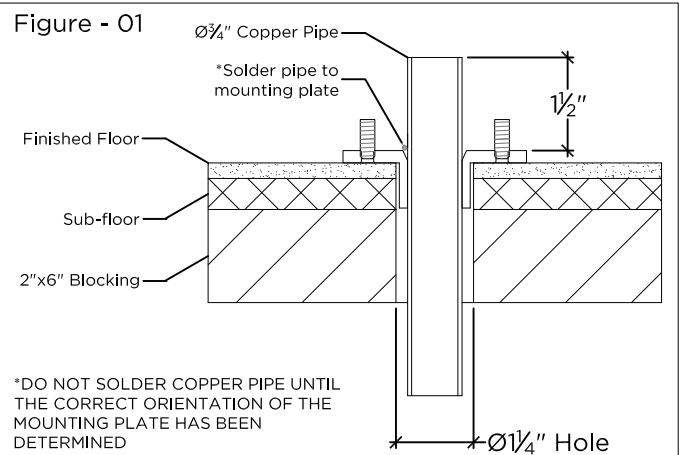
ROUGH-IN:

- OPTION 1: Install individual HOT and COLD $\frac{3}{4}$ " supply lines with separate on/off/volume wall valve controls (Sold Separately).
- OPTION 2: Install a mixing valve (Sold Separately).

INSTALLATION IN WOOD:

(For concrete installation proceed to Step 9). Refer to Figure 1 for steps 1-5.

1. Run a $\frac{3}{4}$ " supply line for maximum water flow.
2. Determine the location where the spout supply line will come up through the floor and install a piece of 2"x6" on its side between joists to serve as 6" blocking surface for securing the spout assembly to the floor.
3. Drill a $\frac{1}{4}$ " diameter hole through the 2"x6" blocking, sub floor and finished floor for the $\frac{3}{4}$ " supply line to pass through.
4. Run the $\frac{3}{4}$ " copper supply line up through the hole in the floor.
5. Slide the mounting plate (1) over the supply line so that it rests on the finished floor then cut the supply line so that it extends $\frac{1}{2}$ " above the plate.

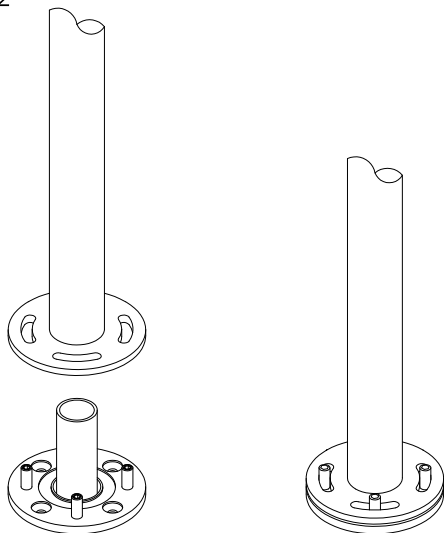


These guidelines have been prepared for the professional contractor to aid in the installation of:
FLYTE FLOOR MOUNTED TUB SPOUT (STYLE No. FLTS90).
All dimensions are based on origin specification and are subject to change and variation.
Please consult your Design Associate for current specifications.

**WATERWORKS
STUDIO**

6. Ensure that the set screws (2) are threaded into the mounting plate (1) then dry fit the spout (5) to the plate to ensure the correct orientation of the spout. See Figure - 02.

Figure - 02



7. Remove the spout (5) then screw the mounting plate (1) to the floor using the 2" wood screws (3).
8. Solder the ID of the plate to the copper supply line then proceed to Step 14.

INSTALLATION IN CONCRETE:

9. Make sure you have an area of concrete free from rebar or post-tension cables. Drill a 1¼" diameter hole through the concrete and finished floor. This hole must be perfectly vertical to ensure the spout will install properly.
10. Run the ¾" copper supply line up through the hole in the floor.
11. Slide the mounting plate (1) over the copper supply line and so that it rests on the finished floor then cut the supply line so that it extends 1½" above the plate. See Figure - 01.
12. Ensure that the set screws (2) are threaded into the mounting plate (1) then dry fit the spout (5) to the plate to ensure the correct orientation of the spout. See Figure - 02.
13. Remove the spout (5) then screw the mounting plate (1) to the floor using 4 Tapcon ⅜" x 1¾" phillips flat head blue concrete screws (not included). It is important that these screws have flat heads so the flange on the spout (5) and mounting plate (1) sit flat against each other. DO NOT use the wood screws (3) in concrete.

SPOUT INSTALLATION:

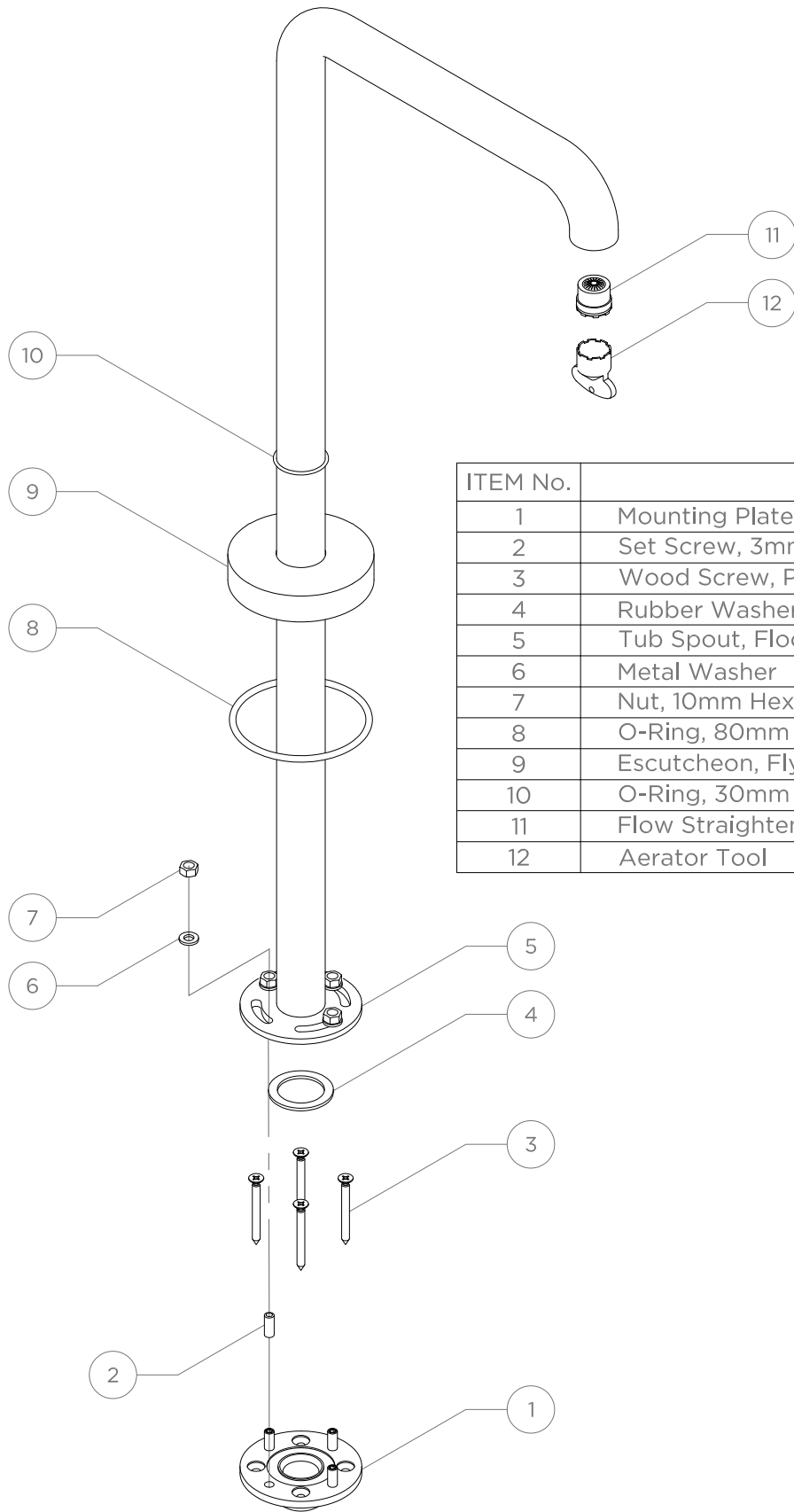
14. Ensure that all 4 set screws (2) are threaded into the mounting plate (1) then place the rubber washer (4) onto the plate.
15. Slide the escutcheon (9) up the spout then place the spout onto the mounting plate.
16. Thread a nut (7) onto each set screw (2) making sure to place a washer (6) beneath each nut then rotate the spout to the final position.
17. Verify the rubber washer (4) is positioned properly on the plate (1) then tighten the 4 nuts (7) to secure the spout to the floor.
18. Slide the escutcheon (9) down the spout until it contacts the finished floor. Make sure the o-ring (8) is beneath the escutcheon.

INSPECT THE INSTALLATION:

19. Remove the flow straightener (11) from the spout (5) using the aerator tool (12) provided.
20. Turn on the supplies then open the hot and cold valves to flush out any debris in the supply lines.
21. Carefully inspect all connections for leaks and check for proper operation.
22. Re-install the flow straightener.
- If further assistance is required, contact Product Support at 1-800-927-2120 (9am-6pm EST).

These guidelines have been prepared for the professional contractor to aid in the installation of:
FLYTE FLOOR MOUNTED TUB SPOUT (STYLE No. FLTS90).
All dimensions are based on origin specification and are subject to change and variation.
Please consult your Design Associate for current specifications.

WATERWORKS
STUDIO



ITEM No.	DESCRIPTION	QTY.
1	Mounting Plate, 3/4" Sweat, Metal	1
2	Set Screw, 3mm Hex , 16mm Length	4
3	Wood Screw, Phillips, Flat Head, 2" Length	4
4	Rubber Washer	1
5	Tub Spout, Floor Mounted, Flyte	1
6	Metal Washer	4
7	Nut, 10mm Hex	4
8	O-Ring, 80mm ID x 4mm Width, Rubber	1
9	Escutcheon, Flyte	1
10	O-Ring, 30mm ID x 2mm Width, Rubber	1
11	Flow Straightener, Full Flow	1
12	Aerator Tool	1

These guidelines have been prepared for the professional contractor to aid in the installation of:
FLYTE FLOOR MOUNTED TUB SPOUT (STYLE No. FLTS90).
 All dimensions are based on origin specification and are subject to change and variation.
 Please consult your Design Associate for current specifications.

**WATERWORKS
STUDIO**