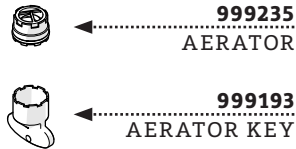
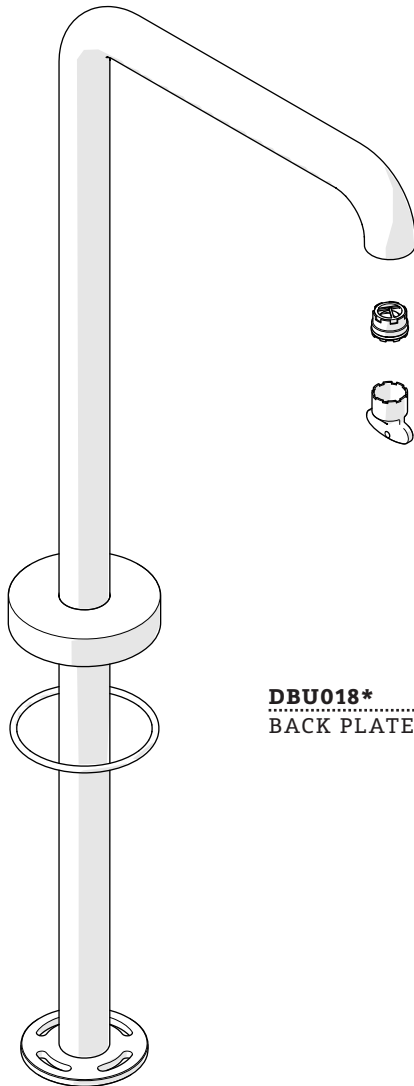


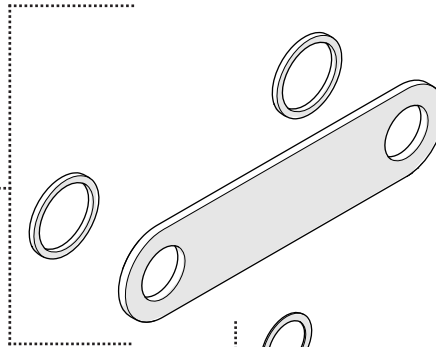
SERVICE PARTS



999235
AERATOR

999193
AERATOR KEY

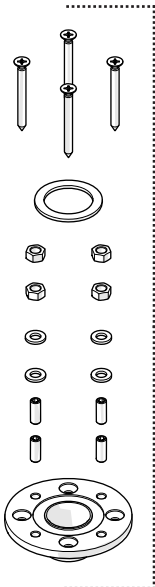
DBU018*
BACK PLATE



999052
TRIM CONNECTOR

DBU008*
ESCUTCHEON

DBU009*
KNOB HANDLE



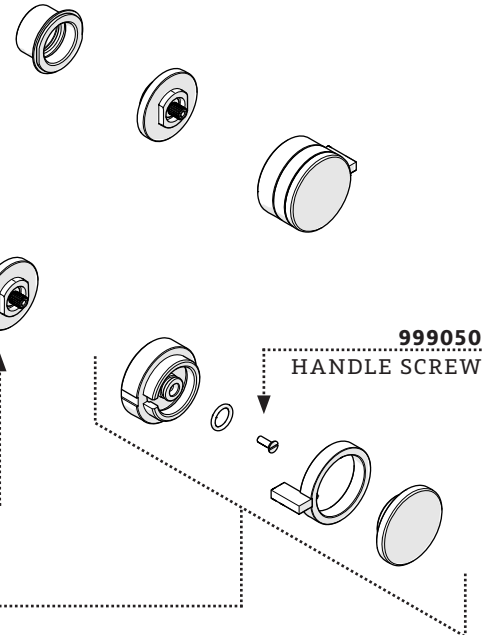
049003
MOUNTING HARWARE

REQUIRED PLUMBING DETAILS:

STYLE NO. GUV C18
UNIVERSAL 1/2" COUNTER-CLOCKWISE OPEN VOLUME CONTROL VALVE AND

STYLE NO. GUV C19
UNIVERSAL 1/2" CLOCKWISE OPEN VOLUME CONTROL VALVE

REFER TO THE SEPARATE SERVICE PARTS DOCUMENTS FOR AVAILABLE REPLACEMENT PARTS.



999050
HANDLE SCREW