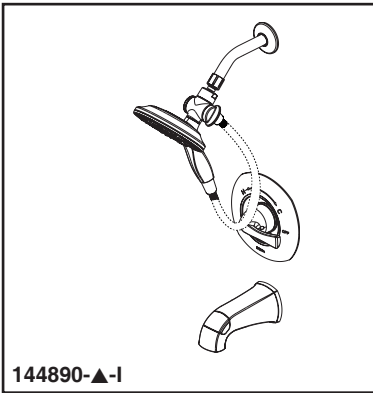




see what Delta can do™

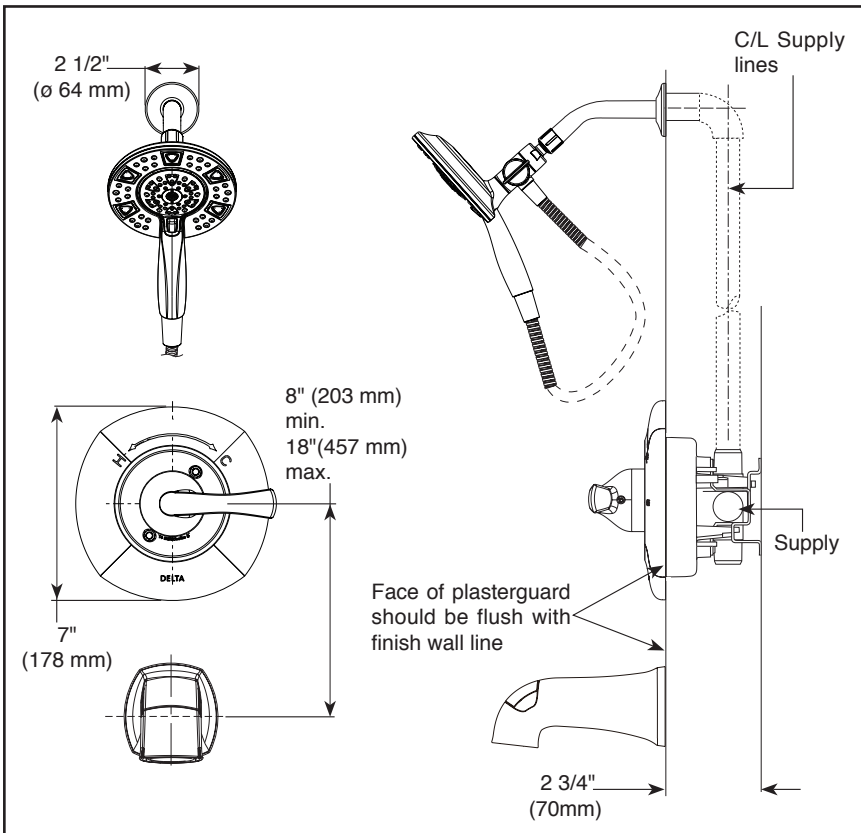
TUB AND SHOWER FAUCET TRIM

■ Marlow™ Bath Collection



Submitted Model No.: _____

Specific Features: _____



FEATURES:

- Monitor® 14 Series pressure balanced bath mixing valve trim
- Touch-Clean® Nozzles

STANDARD SPECIFICATIONS:

- Maintains a balanced pressure of hot and cold water even when a valve is turned on or off elsewhere in the system.
- For use with MultiChoice® Universal rough valve body. (R10000 Series).
- Back-to-back installation capability.
- Solid brass forged body.
- Temperature only controlled with handle.
- Field adjustable to limit handle rotation into hot water zone.
- 120° maximum handle rotation.
- All parts replaceable from the front of the valve.
- Maximum flow rate 1.75 gpm @ 80 psi, 6.6 L/min @ 550 kPa.
- H/C etched temperature indicators on escutcheon.
- Pull-up tub spout: 1/2" NPT iron pipe thread connection or 1/2" copper spout tube soldering connection.

WARRANTY

- Parts and Finish - Lifetime limited warranty; or for commercial purchasers, 10 years for multi-family residential (apartments and condominiums) and 5 years for all other commercial uses, in each case from the date of purchase.
- Electronic Parts and Batteries (if applicable) - 5 years from the date of purchase; or for commercial purchasers, 1 year from the date of purchase. No warranty is provided on batteries.

75494 ▲ 4-Spray Setting Handshower

ø 6" (ø152 mm)
ø 3 1/4" (82 mm)

9 5/8" (243 mm)
5 7/8" (150 mm)
60" (1524 mm)

Showerhead Spray Patterns

- Full Body Spray

Handshower Spray Patterns

- Full Body Spray
- Shampoo Rinsing Spray
- Drenching Rain Spray
- Pause

RP100980 ▲ (Pull-Up Diverter)

2 15/16" (74 mm)
5 5/8" (142 mm)
6 5/16" (160 mm)



COMPLIES WITH

- ASME A112.18.1 / CSA B125.1
- ASSE 1016
- Indicates compliance to ICC/ANSI A117.1 - Valve control only
- EPA WaterSense®

▲ Designate proper finish suffix

Delta reserves the right (1) to make changes in specifications and materials, and (2) to change or discontinue models, both without notice or obligation. Dimensions are for reference only. See current full-line price book or www.deltafaucet.com for finish options and product availability.

DSP-B-144890-I Rev. B

Delta Faucet Company

55 E. 111th Street, Indianapolis, IN 46280
350 South Edgeware Road, St. Thomas, ON N5P 4L1
© 2020 Delta Faucet Company