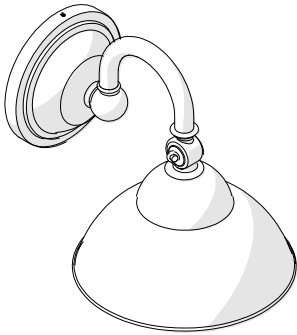


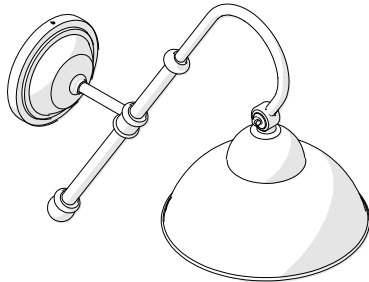
Style No. DYLT00 [DY00LT]
Wall Mounted Single Arm Small Sconce with Metal Shade



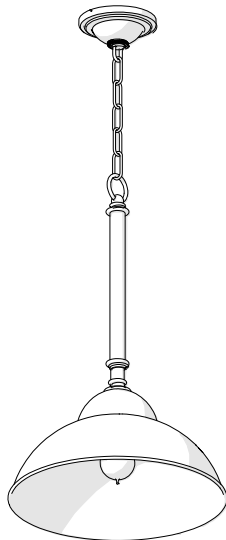
Style No. DYLT01 [DY01LT]
Wall Mounted Single Large Hook Arm Sconce with Metal Shade



Style No. DYLT02 [DY02LT]
Wall Mounted Single Straight Arm Sconce with Metal Shade



Style No. DYLT03 [DY03LT]
Ceiling Mounted Pendant



* All items in [BRACKETS] refer to UK styles

SPECIFICATIONS:

Bulb Base Size: E26 [E27]

Bulb Type: Edison Filament

Junction Box Orientation: Any

Junction Box Size: Standard 3-1/2"

Max Wattage: 60 Watt

Orientation for DYLT00 [DY00LT] / DYLT01 [DY01LT] / DYLT02 [DY02LT]: Wall Down

Orientation for DYLT03 [DY03LT]: Ceiling Only

Shade Material: Brass

Voltage: 120 [240]

Required Electrical Feeds:

US: Black "Hot" wire; White "Neutral" wire; Green or Bare "Ground" wire

UK: [Brown "Line" wire; Blue "Neutral" wire; Green/Yellow Striped or Bare "Earth" wire]

IMPORTANT:

- **WARNING:** The power supply must be turned off prior to installation. Turn off the main electrical supply to the junction box from the fuse box/circuit breaker. Turning power off at the switch is not sufficient.
- To ensure this product is installed properly, you must read and follow these guidelines.
- The owner/user of this product must keep this information for future reference.
- DYLT00, DYLT01, DYLT02 and DYLT03 are U.L. certified and are suitable for damp or dry locations. The U.L. listing mark can be found on the inside of the cover plate.
- DY00LT, DY01LT, DY02LT and DY03LT are CE rated. Proof of CE compliance will be provided upon request.
- Be sure your installation conforms to all federal, state, and local codes.
- This product must be installed by a professional licensed electrical contractor.
- Refer to the specification and assembly drawings attached. Product is sold partially assembled but shown fully disassembled for illustrative and service purpose only.
- Max wattage for DYLT00 [DY00LT], DYLT01 [DY01LT], DYLT02 [DY02LT], and DYLT03 [DY03LT] is 60 watts for incandescent Edison Filament base light bulbs.

These guidelines have been prepared for the professional contractor to aid in the installation of:
DERBY WALL MOUNTED SINGLE ARM SMALL SCONCE / HOOK ARM SCONCE / STRAIGHT ARM SCONCE WITH METAL SHADE (STYLE No. DYLT00 / DYLT01 / DYLT02 [DY00LT / DY01LT / DY02LT]) & DERBY CEILING MOUNTED PENDANT (STYLE No. DYLT03 [DY03LY]).
All dimensions are based on original specification and are subject to change and variation.
Please consult your Design Associate for current specifications.

WATERWORKS

SCONCE INSTALLATION:

- **REQUIRED:** Install a 3-1/2" octagonal electrical junction box at the desired height.
- See Figure - 01 for Steps 1 - 2.

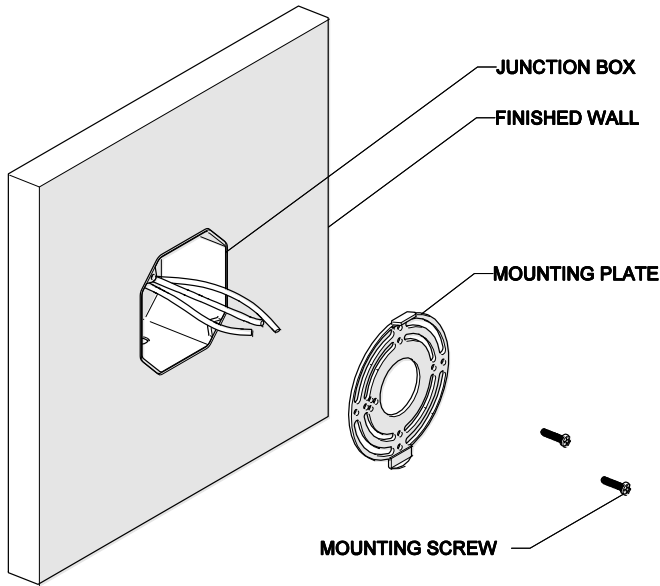


FIGURE - 01

1. Remove the MOUNTING PLATE by unthreading the SET SCREW from the back plate.
 2. Pull the wires in the JUNCTION BOX through the center hole of the MOUNTING PLATE. Attach the MOUNTING PLATE to the JUNCTION BOX using the MOUNTING SCREWS making sure to keep the proper alignment of the plate.
- See Figure - 02 for Steps 3 - 6.

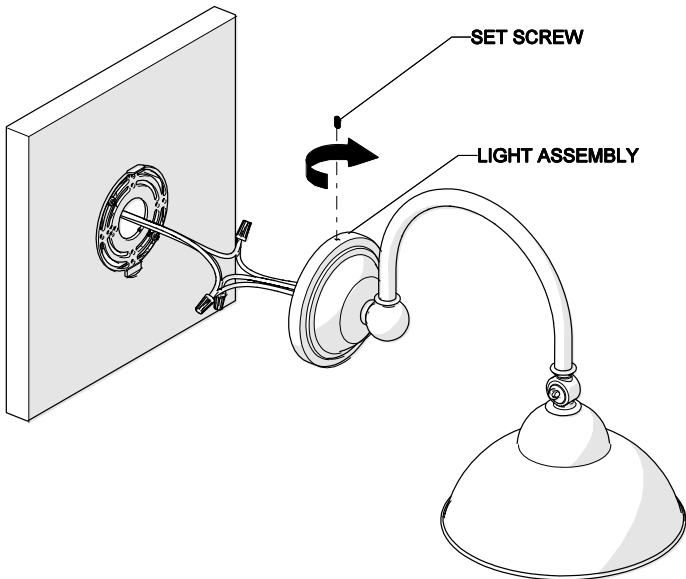


FIGURE - 02

3. Fasten the bare copper fixture wire to the green or bare copper wire in the box with a wire nut or fasten it to the MOUNTING PLATE with the ground screw provided.
4. Fasten the white fixture wire to the white wire in the box with a wire nut. Tightly wrap the connection with electrical tape beginning 1" [25mm] below the wire nut to ensure the tape seals the end of the nut. Make sure that there are no exposed wires that could cause a short circuit.
5. Repeat previous step with the black fixture wire and the black wire from the junction box. Make sure the wires are pushed into the junction box.
6. Attach the LIGHT ASSEMBLY to the MOUNTING PLATE on the wall by reinstalling the SET SCREW.

CEILING MOUNTED INSTALLATION:

- **REQUIRED:** Install a 3-1/2" octagonal electrical junction box at the desired location.
- See Figure - 03 for Steps 6 - 7.

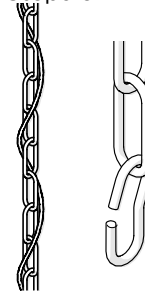


FIGURE - 03

7. To adjust the CHAIN to the desired height, spread open a link and remove excess links until the desired height is achieved.
 8. Reinstall links at desired height and cut any excess wire.
- See Figure - 04 for Steps 9 - 13.

These guidelines have been prepared for the professional contractor to aid in the installation of:
DERBY WALL MOUNTED SINGLE ARM SMALL SCONCE / HOOK ARM SCONCE / STRAIGHT ARM SCONCE WITH
METAL SHADE (STYLE No. DYLTO0 / DYLTO1 / DYLTO2 [DY00LT / DY01LT / DY02LT]) & DERBY CEILING MOUNTED
PENDANT (STYLE No. DYLTO3 [DY03LY]).
All dimensions are based on original specification and are subject to change and variation.
Please consult your Design Associate for current specifications.

WATERWORKS

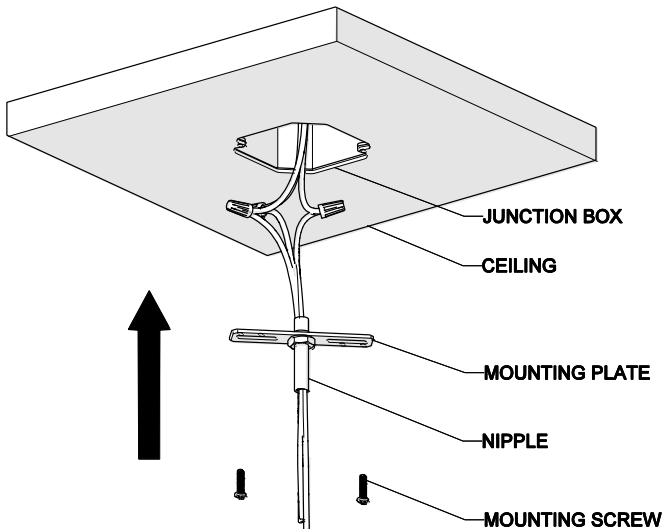


FIGURE - 04

9. Pull the wires from the light through the center of the MOUNTING PLATE.
 10. Fasten the bare copper fixture wire to the green or bare copper wire in the box with a wire nut or fasten it to the MOUNTING PLATE with the ground screw provided.
 11. Fasten the white fixture wire to the white wire in the box with a wire nut. Tightly wrap the connection with electrical tape beginning 1" [25mm] below the wire nut to ensure the tape seals the end of the nut. Make sure that there are no exposed wires that could cause a short circuit.
 12. Repeat previous step with the black fixture wire and the black wire from the junction box. Make sure the wires are pushed into the junction box.
 13. Attach the MOUNTING PLATE to the JUNCTION BOX using the MOUNTING SCREWS making sure to keep the proper alignment of the plate.
- See Figure - 05 for Step 14.

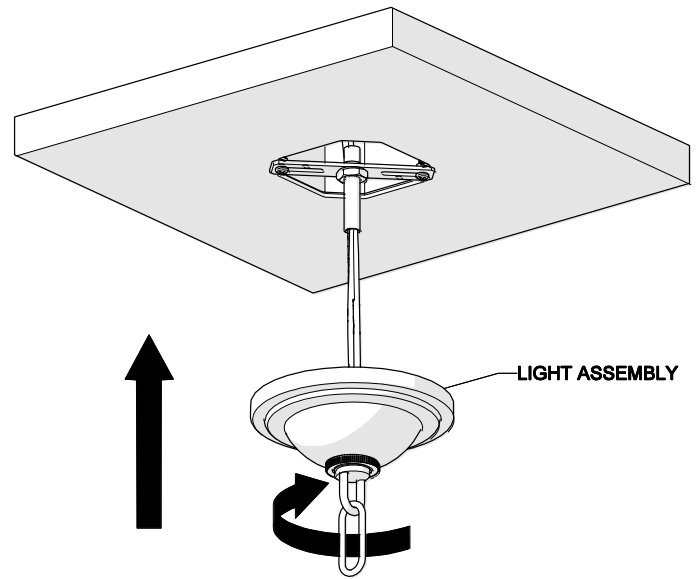


FIGURE - 05

14. Thread the LIGHT ASSEMBLY to the NIPPLE on the MOUNTING PLATE making sure it's secure.

SERVICING THE LIGHT:

- If further assistance is required, please contact Product Support at 1-800-927-2120 (8am-6pm EST).