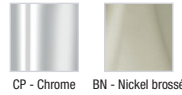


E97347-ND



Collection: AVID

Finish*:



CP - Chrome BN - Nickel brossé

Main features:



Features

- **WEIGHT:** 2.6 kg
- **INSTALLATION TYPE:** 1 hole
- **FLOW RATE:** 5 l/min under 3 bar
- **MECHANISM:** Ceramic disc cartridge
- **INSTALLATION TYPE:** 1 hole
- **Height under aerator:** 204 mm
- **No lift rod or waste**

- **MATERIAL:** Brass
- **TYPE:** Single-lever
- **CONNECTION:** With supply hoses
- **WASTE :** Without waste
- **MECHANISM GUARANTEE:** 5 years
- **Metal cartridge pin**

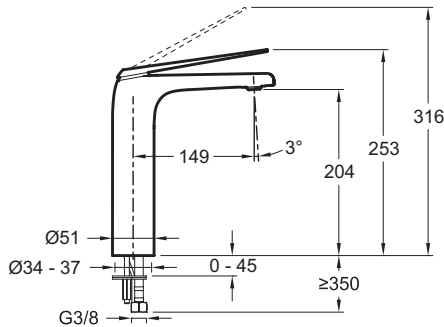
Consumer benefits

- **BRUSHED NICKEL FINISH:** Trendy brushed finish that is easy to maintain, and is more corrosion resistant. Perfect alternative to the chrome finish, brushed nickel brings warmth and modernity to your bathroom
- **DESIGNED TO LAST:** One-piece, all brass mixer. Metal handle and cartridge pin provide greater resistance.
- **PERFECT DOWN TO THE LAST DETAIL:** Waste fully covers water drainage
- **SIDE LIFT ROD:** Makes daily use easier
- **SWIVEL AERATOR:** Silicone anti-scale aerator to direct water into the basin. Provides a more comfortable spray and makes care easier.

Installation benefits

- **SOLID INSTALLATION:** Double rod fixing

Technical drawing



Product Specification: Tall single-lever washbasin mixer with supply hoses. E97347-ND. Collection: AVID. WEIGHT: 2.6 kg. MATERIAL: Brass. INSTALLATION TYPE: 1 hole. TYPE: Single-lever. FLOW RATE: 5 l/min under 3 bar. CONNECTION: With supply hoses. MECHANISM: Ceramic disc cartridge. WASTE : Without waste. INSTALLATION TYPE: 1 hole. MECHANISM GUARANTEE: 5 years. Height under aerator: 204 mm. Metal cartridge pin. No lift rod or waste.

**Due to possible variations in computer and printer calibrations, technical factors and certain finish characteristics, the colors you see may not accurately portray the actual colors and are provided as a guide only.*