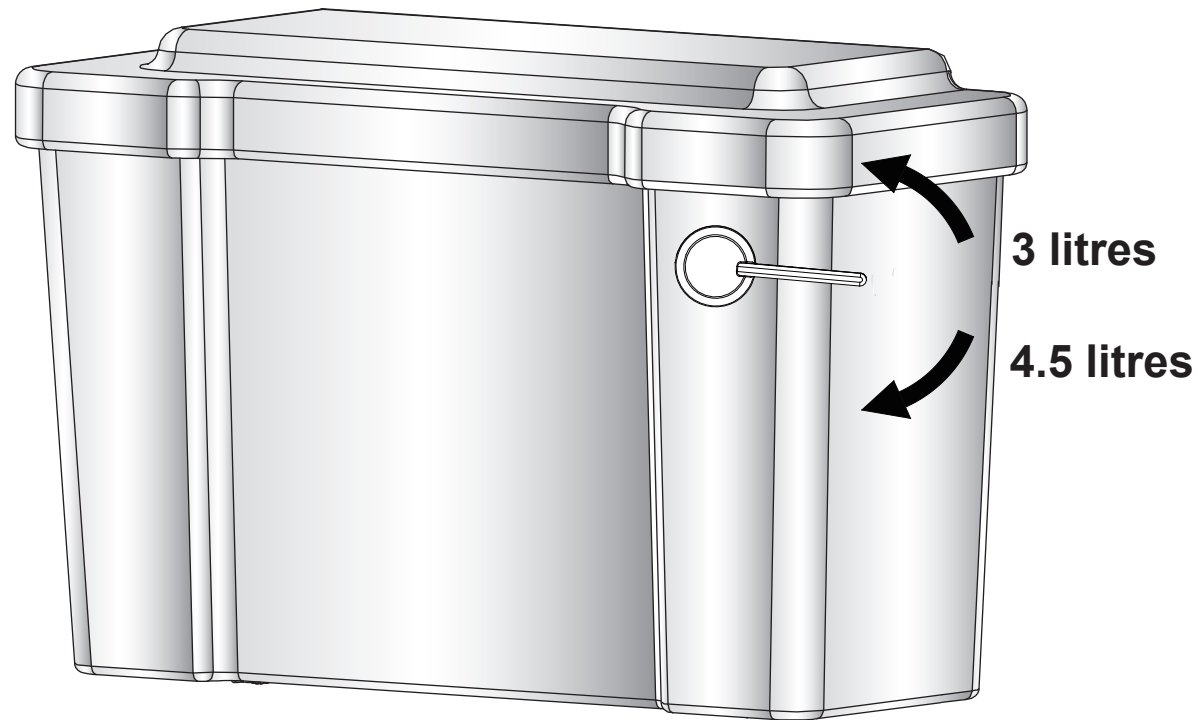
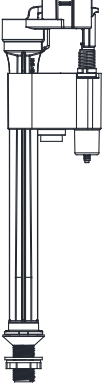
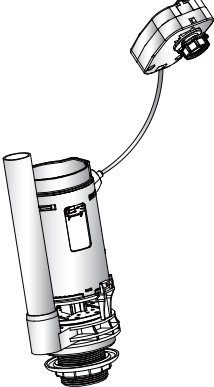


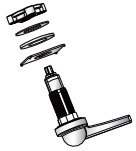
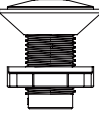



All WC's come with a 3/4.5 litre flush as standard. For lever flush cistern fittings, you must press the lever down lightly for the 4.5 litre flush and lightly lift the lever for the 3 litre flush.



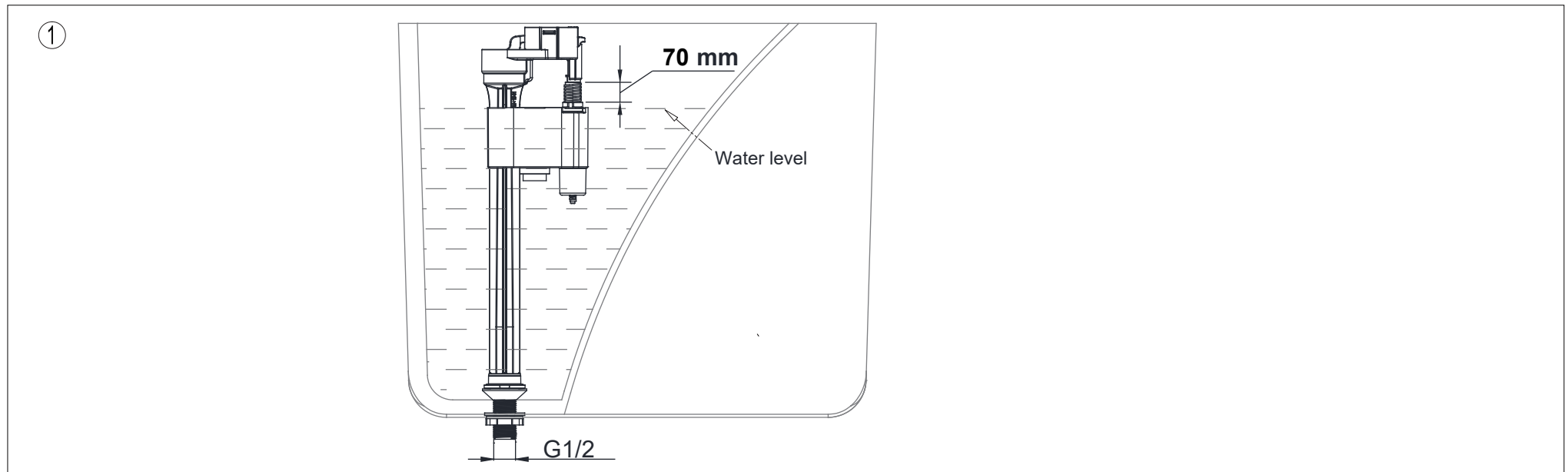
Please note that it is imperative that there are no loops or kinks in the yellow tube when installed and that the lever is not operated with excessive force as this will damage the cable inside the tube that lifts and lowers the flush valve causing the flush to fail beyond repair

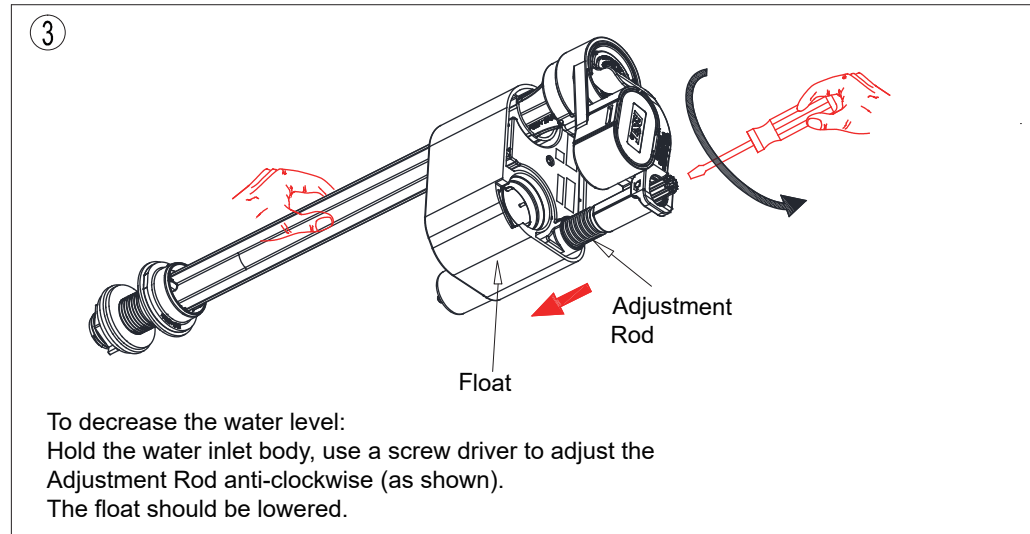
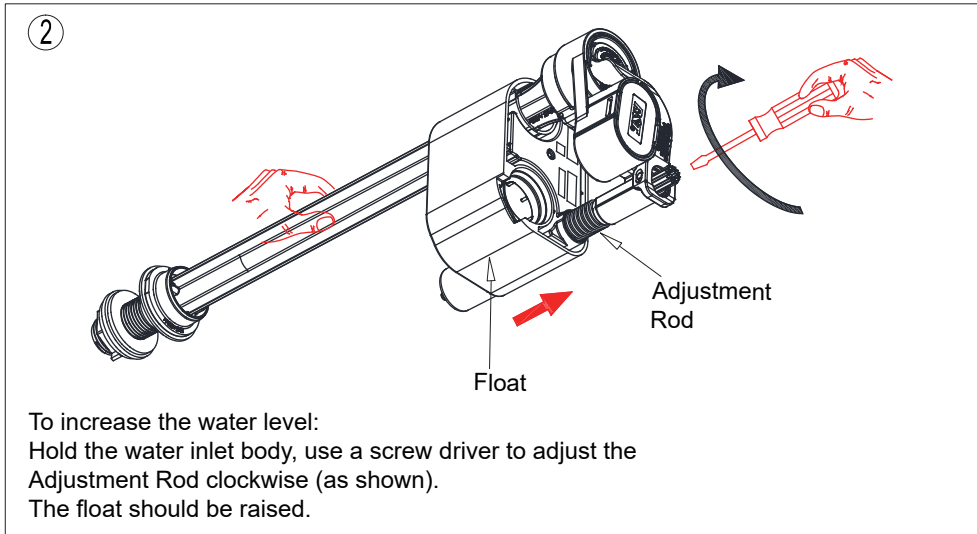
## Parts supplied:

 <p>Inlet Valve</p>	 <p>Flush Valve</p>	 <p>Bolt</p>		 <p>Rubber Doughnut</p>
		2x		1x
1x	1x	 <p>Lever</p>	 <p>Fixing Nut</p>	 <p>Fixing Nut</p>
		1x		1x

- Please read these instructions carefully to avoid damage to the valves, and to ensure correct installation.
- Do not use bleach or bleach based cleaning products in the cistern, as these will cause damage to the seals. We cannot be held responsible or liable for any failure which results from the use of bleach based products.
- Water temperature range +2C to +45C.
- Water pressure 0.2 to 8 bar.

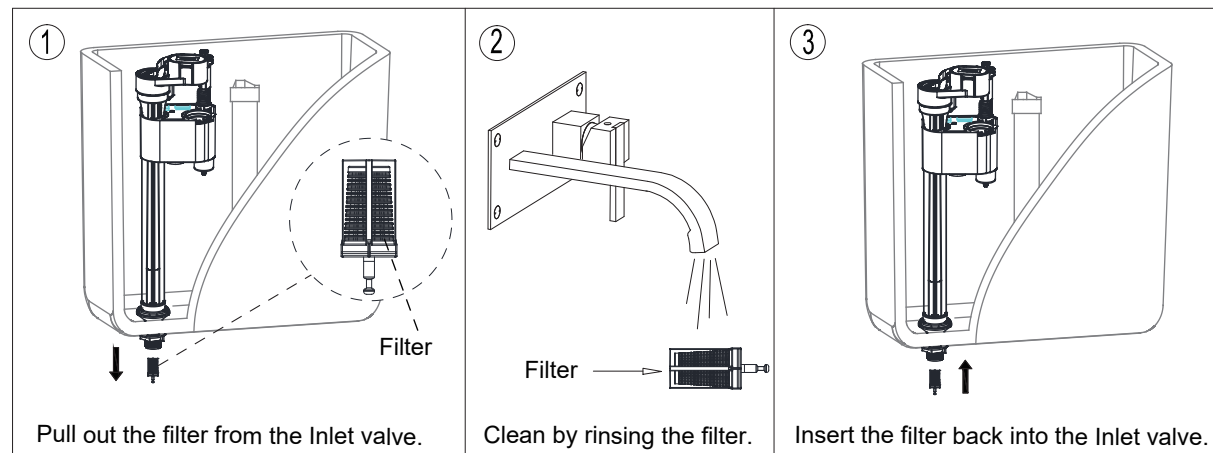
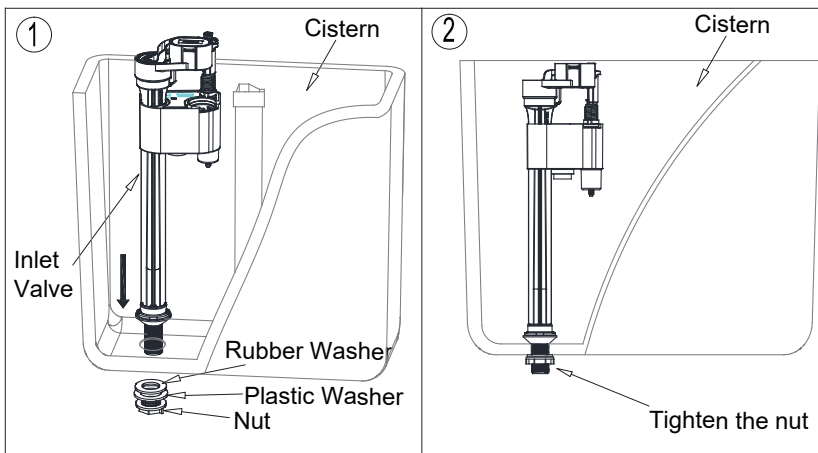
## 1: Inlet Valve scale and adjustment settings





## 2: Inlet Valve installation

## 3: Filter cleaning (Please clean periodically)



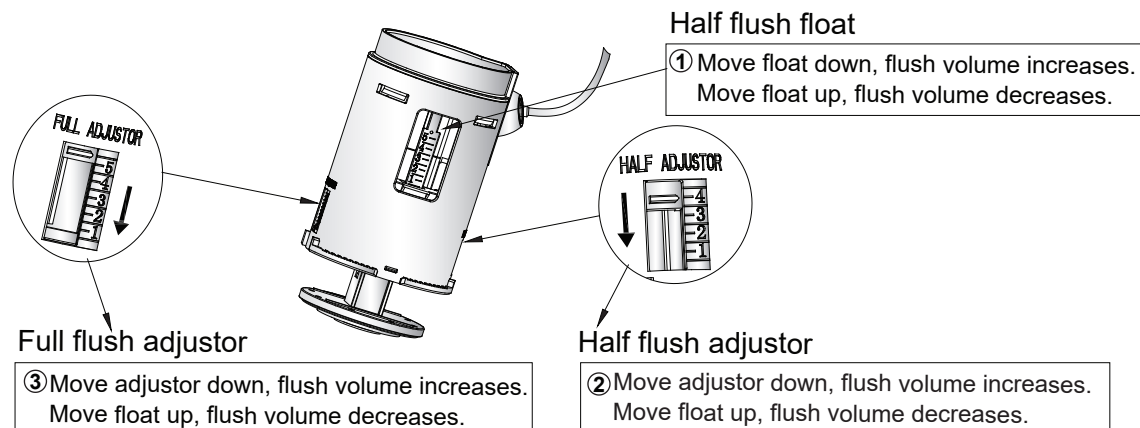
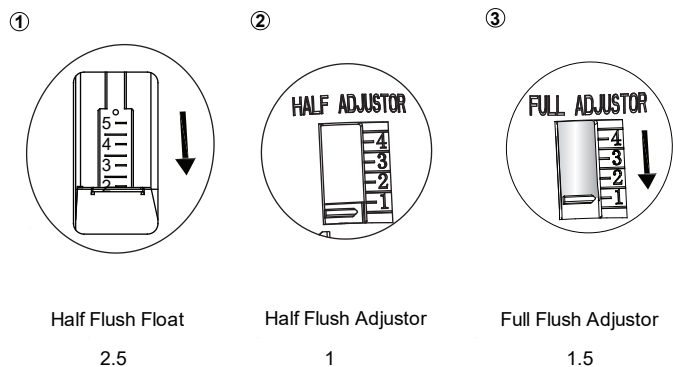
## 4: Inlet Valve trouble shooting

Problem	Reason	Solution
Incorrect water level	Incorrect adjustment.	Adjust the Water level correctly as per page 1 & 2.
Inlet Valve does not work	Water supply is closed.	Open the water supply
	The filter is blocked.	Clean the filter.
	The Stop Float has been over adjusted beyond its operational range.	Reconnect the Adjustment Rod, and adjust the water level as per page 1 & 2 .
Leakage	The Inlet Valve fixing nut has not been tightened.	Tighten the nut.

# Flush Valve Installation And Problem Solving

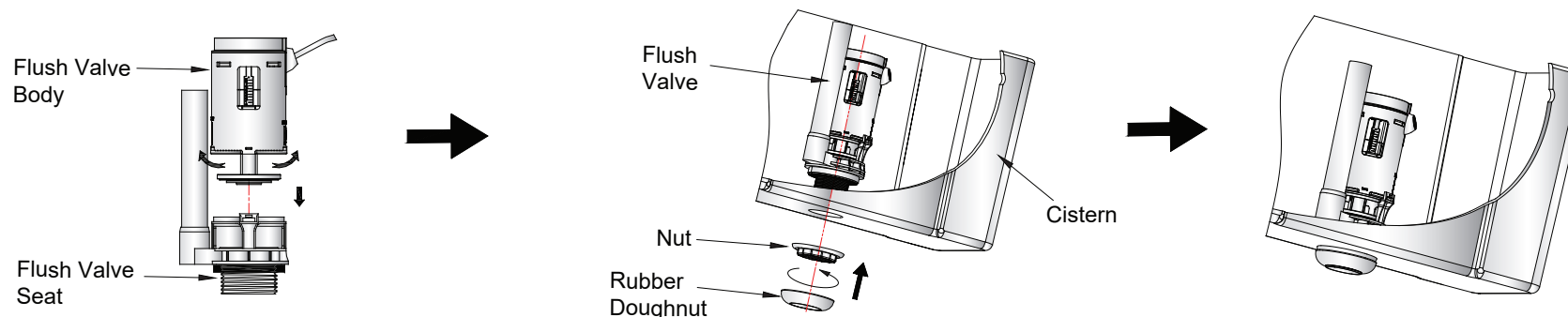
## 1: Flush Valve scale and adjustment setting

**Note:** The below diagram ① is set to 2.5, ② is set to 1, and ③ is set to 1.5.  
For adjustment method, please refer to the adjustment setting on right side.



## 2: Flush Valve installation

### Close Coupled Flush Valve Installation



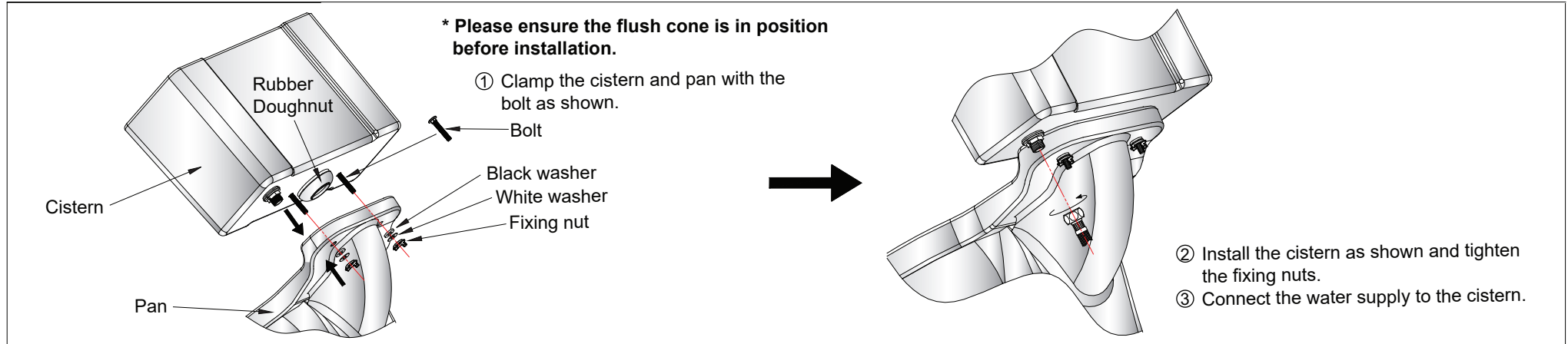
## 3: Flush Valve trouble shooting

Problem	Reason	Solution
Leakage	1. Incorrect installation. 2. Flush valve seat does not fit flush valve body. 3. Flush valve body is stuck.	1. Install again according to the correct installation procedure. 2. Install again. 3. Disconnect and wash flush valve body.
No flush, low flush or half flush volume	Cable is distorted.	Remove kinks or sharp bends in the cable.
Half flush water level is too high or too low.	Water level is adjusted incorrectly.	Adjust water level.



# Close Coupled Cistern & Flush Level or Button Installation

## 1: Install Close Coupled Cistern To Pan



## 2: Install Lever

