






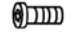

G	8mm		1
F	M10x75		2
E	∅10		2
D	∅10		2
C	∅8		8
B	M8x30		8
A	5mm		1
NO.	SIZE	DIAGRAM	QTY

FIG.
1

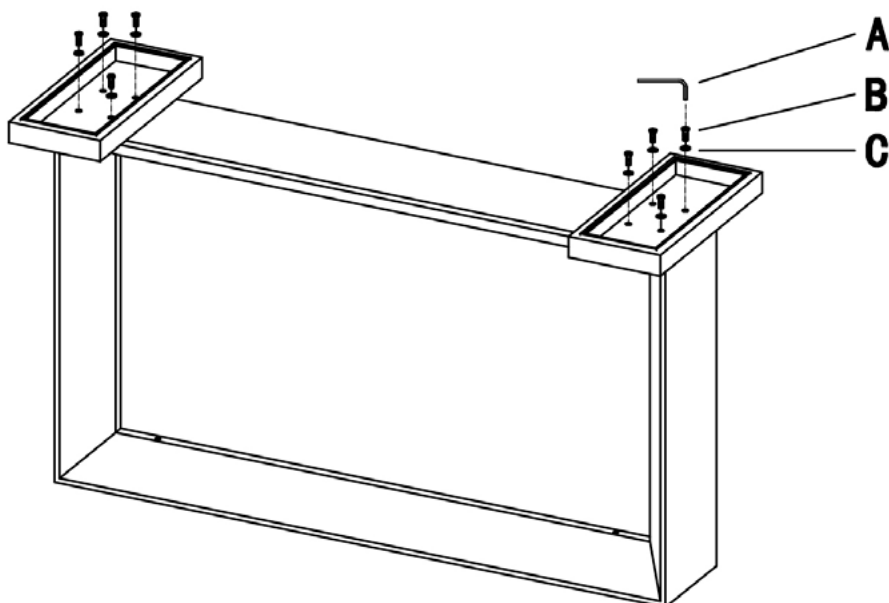


FIG.
2

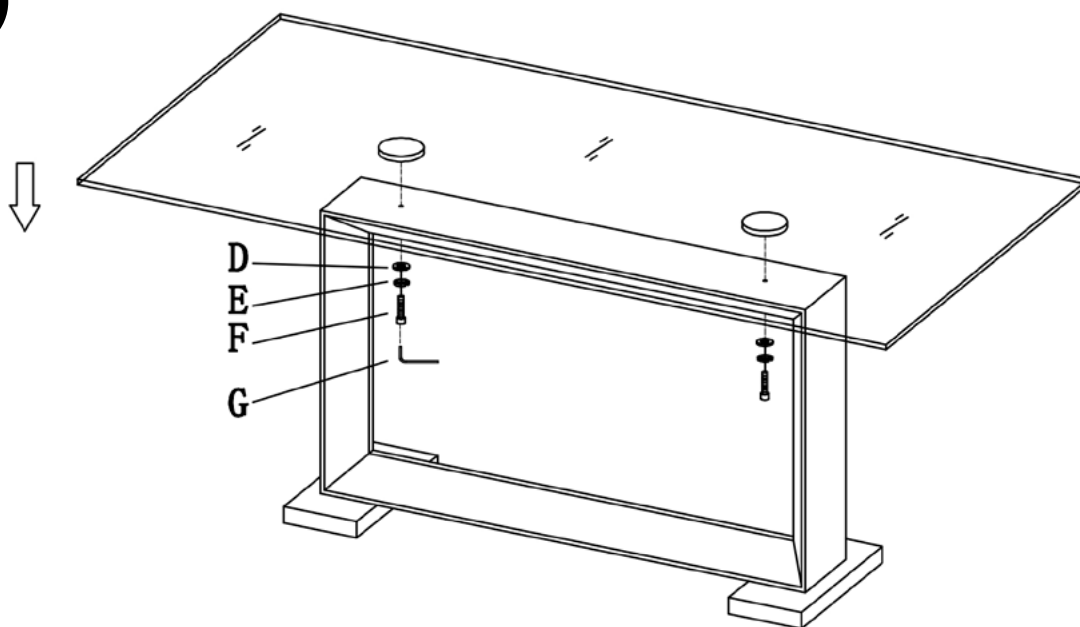


FIG.
3

