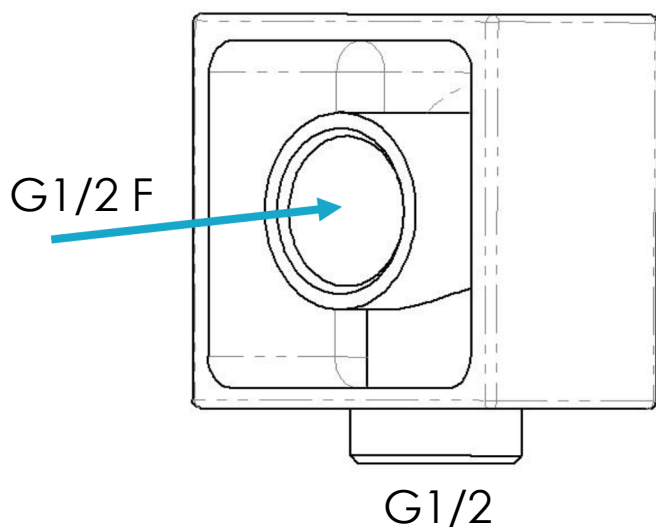
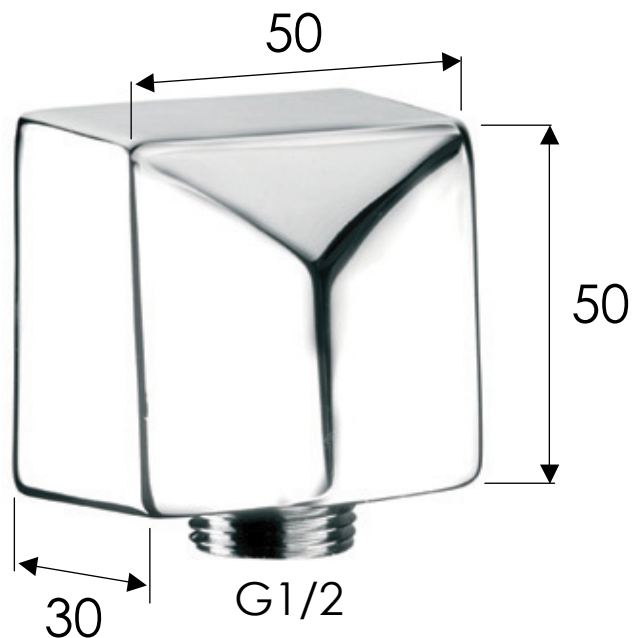


ATTACCO A MURO
WALL CONNECTION
G 1/2 F



MATERIALI / MATERIALS

OTTONE CROMATO / CHROME PLATED BRASS

CROMATURA / CHROME PLATING

UNI EN 248