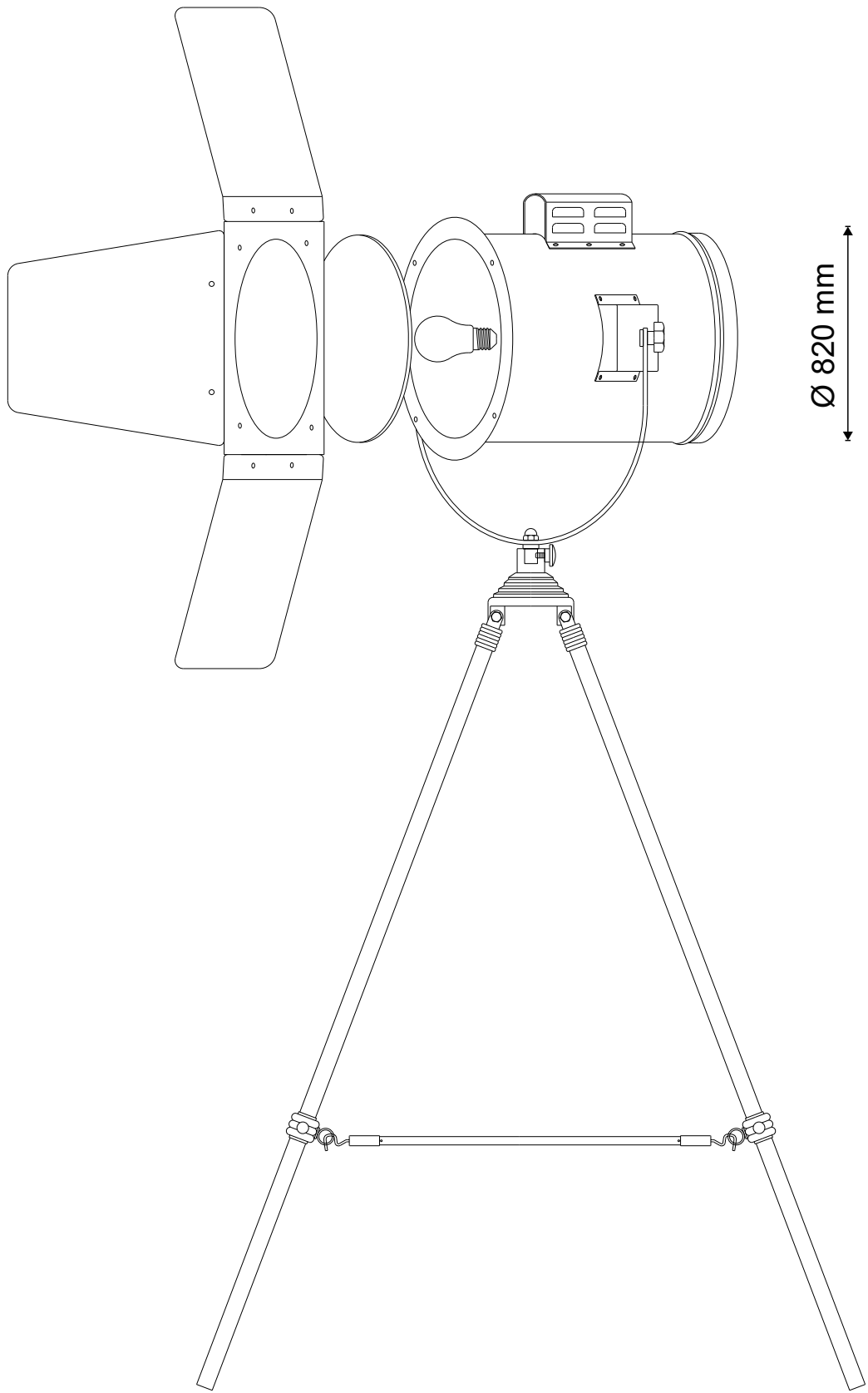


1820 mm



Ø 820 mm