

36 717 882

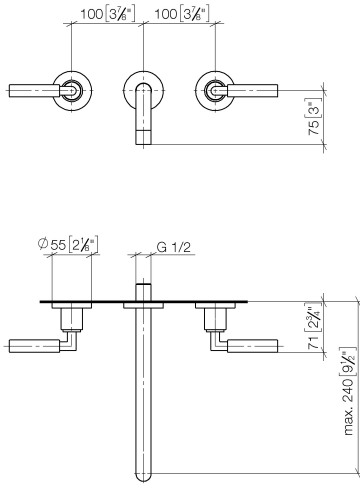


- 240mm projection
- fixed spout
- circular, air-enriched flow
- hole diameter valve 40 mm
- hole diameter spout 40 mm
- rosette Ø 55 mm
- max. flow 7 l/min
- lead-free
- WRAS 2107049
- This product can help a building meet the requirements of Green Building Rating Systems, e.g. LEED®, BREEAM®, DGNB

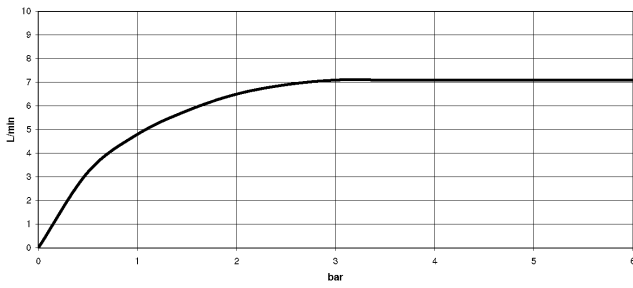
	Brushed Bronze	36 717 882-42
	Chrome	36 717 882-00
	Brushed Platinum	36 717 882-06
	Platinum	36 717 882-08
	Dark Chrome	36 717 882-19
	Brushed Durabronze (23kt Gold)	36 717 882-28
	Matte Black	36 717 882-33
	Brushed Champagne (22kt Gold)	36 717 882-46
	Champagne (22kt Gold)	36 717 882-47
	Brushed Chrome	36 717 882-93
	Brushed Dark Platinum	36 717 882-99

36 717 882

mm [inches]



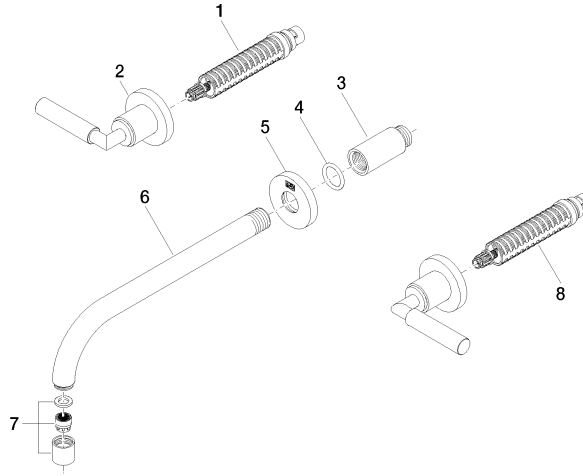
Flow rate chart



36 717 882

**Product version from 4/1/2024**

Parts for other finishes can be found here: [Chrome](#)





TARA Wall-mounted basin mixer without pop-up waste - Brushed Bronze

TARA

36 717 882

**Spare parts list**

**Product version from 4/1/2024**

No.	Item Number	Name	Quantity used	Delivery time
	90 90 03 156 00 90	top	9	2