

E78291



Collection: NO COLLECTION

Finish*:



CP - Chrome

Features

- WEIGHT: 1 kg
- MATERIAL: Metal
- INSTALLATION TYPE: Wall-mount

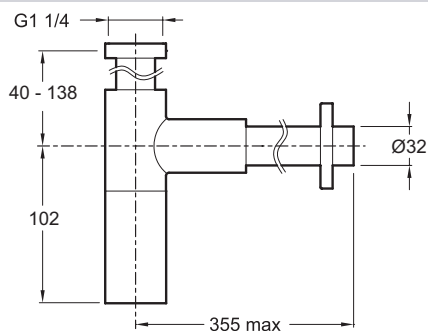
Installation benefits

- EASY INSTALLATION: Height-adjustable with wall plate

Optional products

- Plans-vasques Jacob Delafon

Technical drawing



Product Specification: Design bottle trap, long version. E78291. Collection: NO COLLECTION. WEIGHT: 1 kg. MATERIAL: Metal. INSTALLATION TYPE: Wall-mount.