

### Features

- Bask® heated surface creates spa-like relaxation with soothing warmth on your back, shoulders, and neck.
- Three heat settings allow you to customize the surface temperature.
- 118 to 122 airjets release thousands of heated bubbles that surround and support the body in a warm massage.
- Purge cycles remove residual water from air channels after use to keep the system clean.
- Variable-speed blower lets you adjust massage intensity to 18 levels.
- Freestanding design creates a striking focal point in your bathing area.
- 17" depth offers a deep soaking experience.
- Integral lumbar support on both ends.
- Bottom surface manufactured with textured appearance.
- Wide ledge on one side is ideal for deck-mount faucet and/or handshower.
- Center drain.
- Fluted shroud.

### Material

- Acrylic.

### Technology

- Built-in 600W BubbleMassage™ heater warms humidified air before it enters the bath.
- Bath includes auto purge (after bath drains) and manual purge cycles to remove residual water and keep system clean.
- Auto-shutoff timer on blower allows users to enjoy Heated BubbleMassage™ experience for 60 minutes before turning off.
- Built-in 60W electric heater included to keep bath surface warm.
- User interface: two separate electronic keypad controls for Heated BubbleMassage™ and Bask®.

### Recommended Products/Accessories

K-7265 Clearflo Bath Drain  
K-24916 Wireless Music Kit  
K-37385 rough-in cable drain, PVC, 45" cable  
K-37382 45" Rough-in Cable Bath Drain  
K-23726 Drain treatment  
K-23732 Tub & shower cleaner



### Codes/Standards

ASME A112.19.7/CSA B45.10  
CSA B45.5/IAPMO Z124  
ASTM E162  
ASTM E662  
UL 1795  
CSA C22.2 No. 218.2



### KOHLER® Hydrotherapy Components Five-Year Limited Warranty KOHLER® Plastic Baths and Receptors Lifetime Limited Warranty


See website for detailed warranty information.

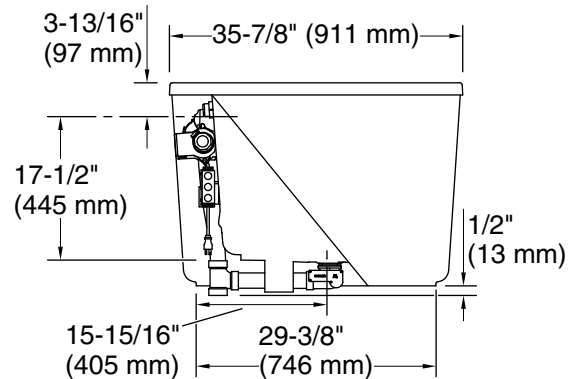
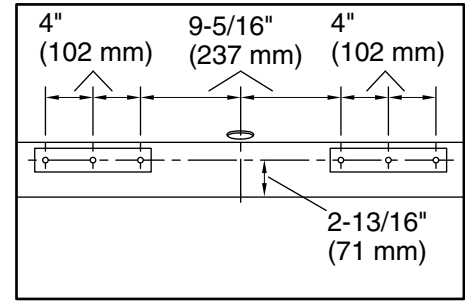
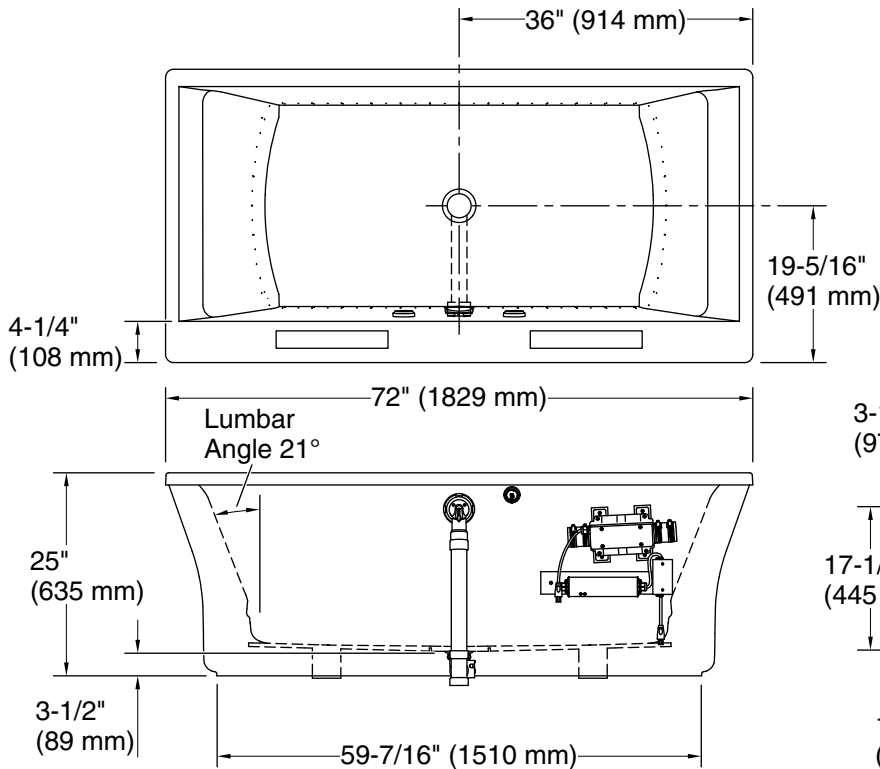
### Available Colors/Finishes

*Color tiles intended for reference only.*

| Color | Code | Description |
|-------|------|-------------|
|-------|------|-------------|

|  |    |         |
|--|----|---------|
|  | 0  | White   |
|  | 96 | Biscuit |

No change in measurements if connected with drain illustrated. (K-37386)  
 Recommended Faucet Location



### Required Electrical Service

Two dedicated circuits required, protected with Class A Ground-Fault Circuit-Interrupter (GFCI). Outside North America, this device may be known as a Residual Current Device (RCD).

|                |                    |
|----------------|--------------------|
| Blower, Heated | 120 V, 15 A, 60 Hz |
| Surface:       |                    |
| Heater:        | 120 V, 15 A, 60 Hz |

### Technical Information

All product dimensions are nominal.

|                     |   |
|---------------------|---|
| Installation:       | Freestanding  |
| Drain location:     | Center  |
| Basin area, bottom: | 50-3/4" x 24-7/8" (1289 mm x 632 mm)                |
| Basin area, top:    | 67-1/2" x 29-3/16" (1715 mm x 741 mm)               |
| Weight:             | 165 lbs (74.8 kg)                                   |
| Minimum floor load: | 48.8 lbs/ft <sup>2</sup> (238.3 kg/m <sup>2</sup> ) |
| Water depth:        | 17" (432 mm)  |
| Water capacity:     | 90 gal (340.7 L)                                    |
| Template:           | Footprint, 1245665, not required, not included      |

### Notes

Measure your actual product for rough-in details. Install this product according to the installation instructions.

The hot water supply should be 70% of the capacity of the bath or greater. Installations will vary.

Provide one grounded electrical outlet within 24" (610 mm) of each component.

This bath is designed for freestanding installation only.

If installing a rim-mount faucet, make sure there is no interference above or below the deck before drilling any holes.