

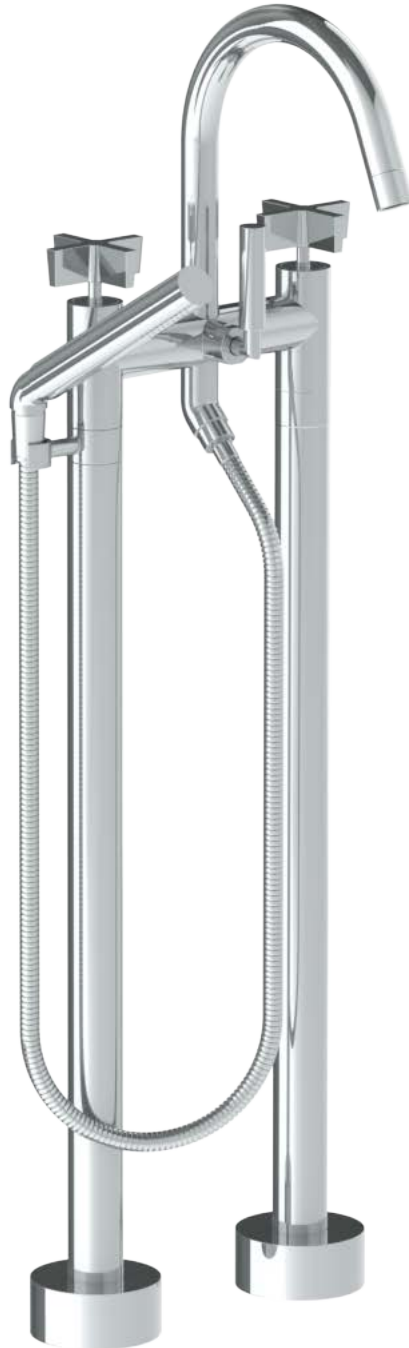
37-8.3-BL3

Floor Standing Gooseneck Bath Set with Hand Shower

For use with SS-FL8.3 floor rough

Hand Shower Flow Rate: 1.75 GPM

Note: Some building codes require remote pressure balance valves for anti-scald



Meets the applicable requirements of ASME A112.18.1-2005/CSA B125.1-05, entitled "Plumbing Supply Fittings"

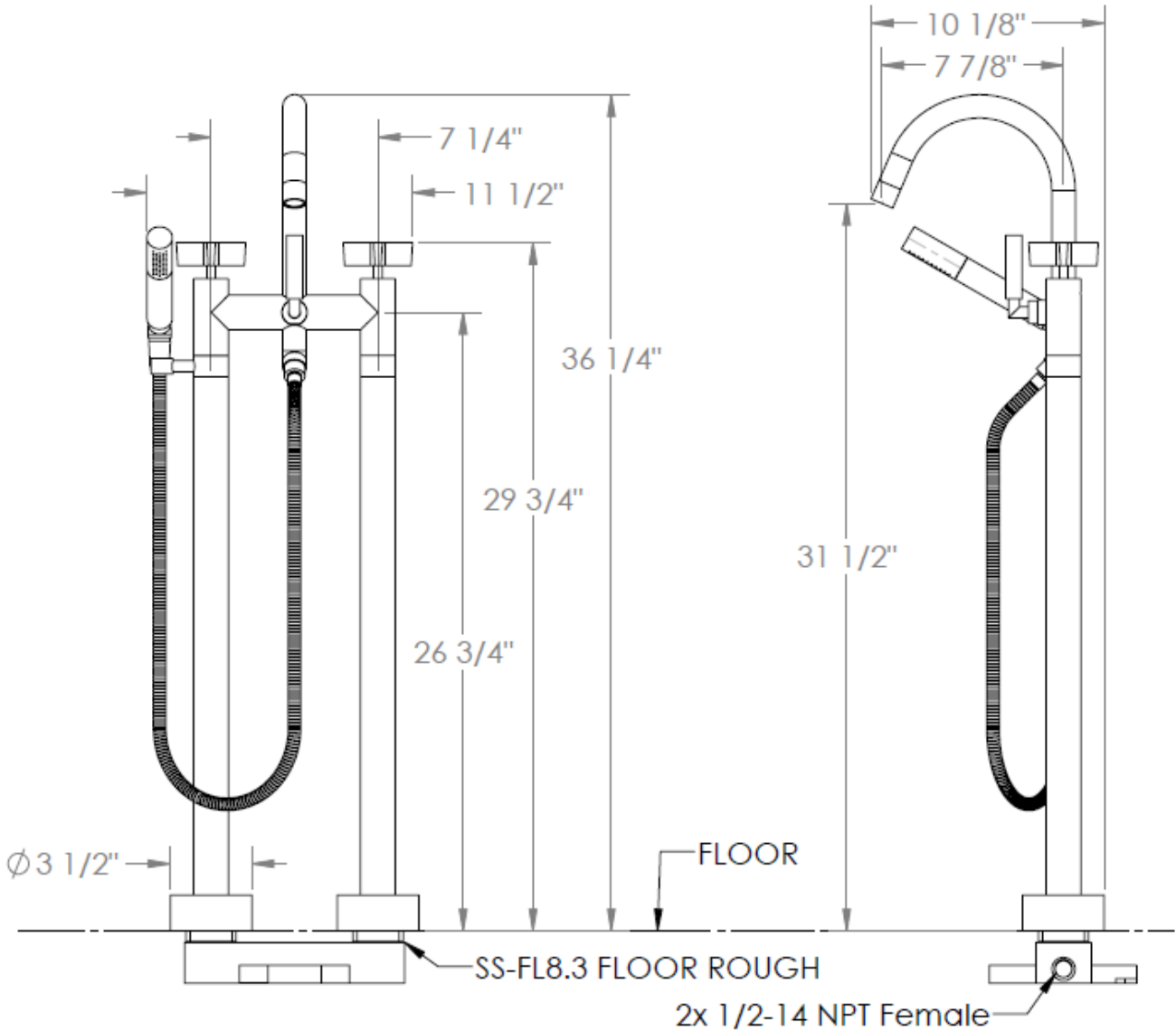
37-8.3-BL3

Floor Standing Gooseneck Bath Set with Hand Shower

For use with SS-FL8.3 floor rough

Hand Shower Flow Rate: 1.75 GPM

Note: Some building codes require remote pressure balance valves for anti-scald



Meets the applicable requirements of ASME A112.18.1-2005/CSA B125.1-05, entitled "Plumbing Supply Fittings"